

SERVICE MANUAL
&
PARTS LIST

MODEL: CoverPro 3000 PROFESSIONAL
(Continental Europe)
(Australia)
(UK)

First Edition: 25 May 2021

Modified info.

Modified: 28 May 2021

P44-6: image added.

P45-20: 624245001 Thrust stopper → 000038502 Washer

Modified: 22 June 2021

P49-4: 778636014 → 778636003

P49-5: 778108012 → 778108001

Modified: 14 July 2021

Service manual: modified.

Modified: 20 August 2021

P31: **NOTE:** Insert the 2 mm spacer ⑨ between the ring ⑩ and top cover stitch cam ⑪ to adjust the clearance. →

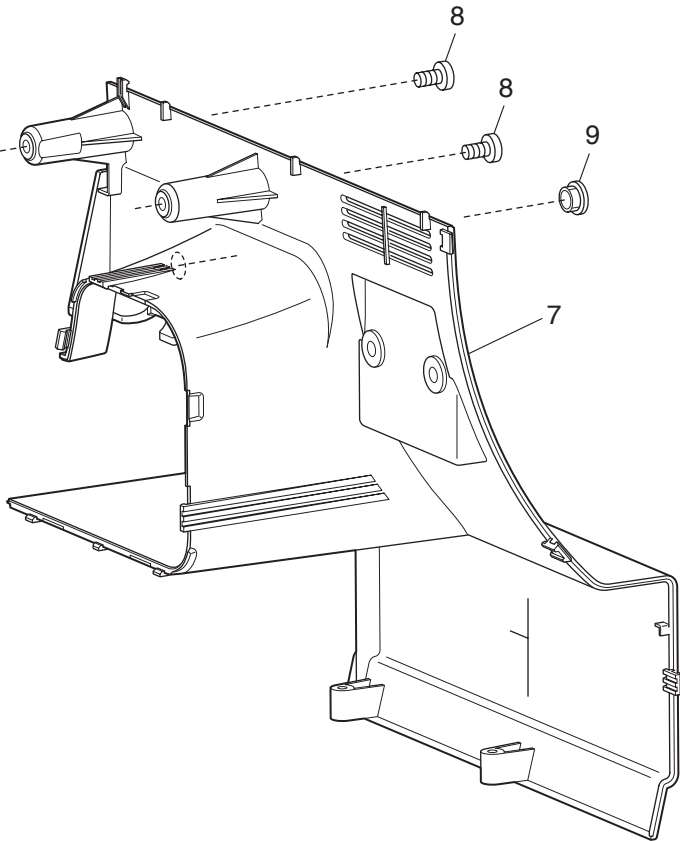
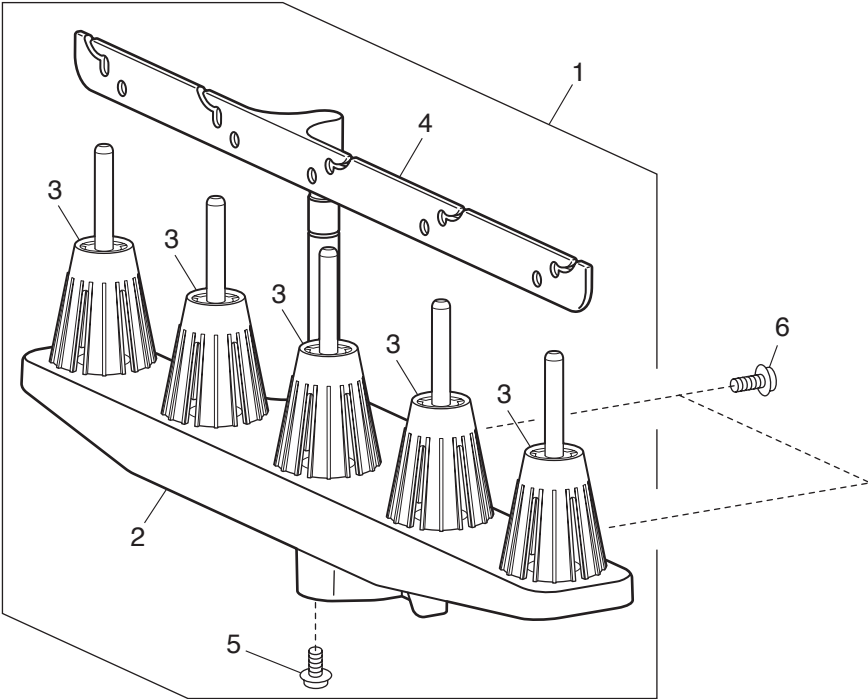
NOTE: Adjust as below while pressing the top cover stitch cam ⑩ against the ring ⑨.

Modified: 12 October 2021

P23-15: 778800055 → 778800000

P23-15: 778800066 → 778800011

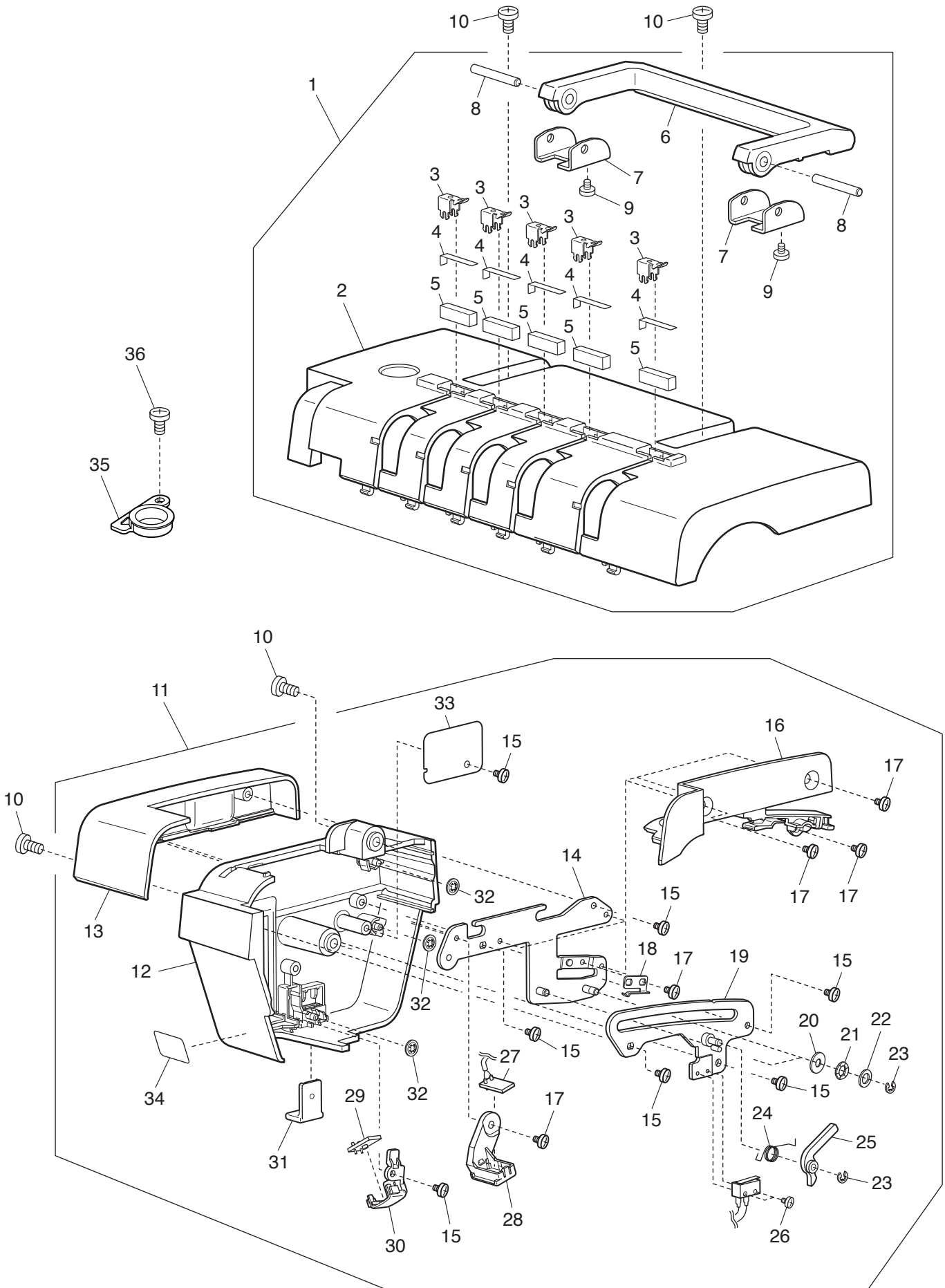
PARTS LIST



PARTS LIST

KEY NO.	PARTS NO.	DESCRIPTION
1	778622006	Spool stand (unit)
2	778104007	Spool stand
3	784223105	Spool holder
4	778623007	Thread guide bar (unit)
5	000115700	Setscrew TP 4x10
6	000114802	Setscrew TP 4x12
7	778004A01	Rear cover
8	000081016	Setscrew 4x8
9	745033002	Cap

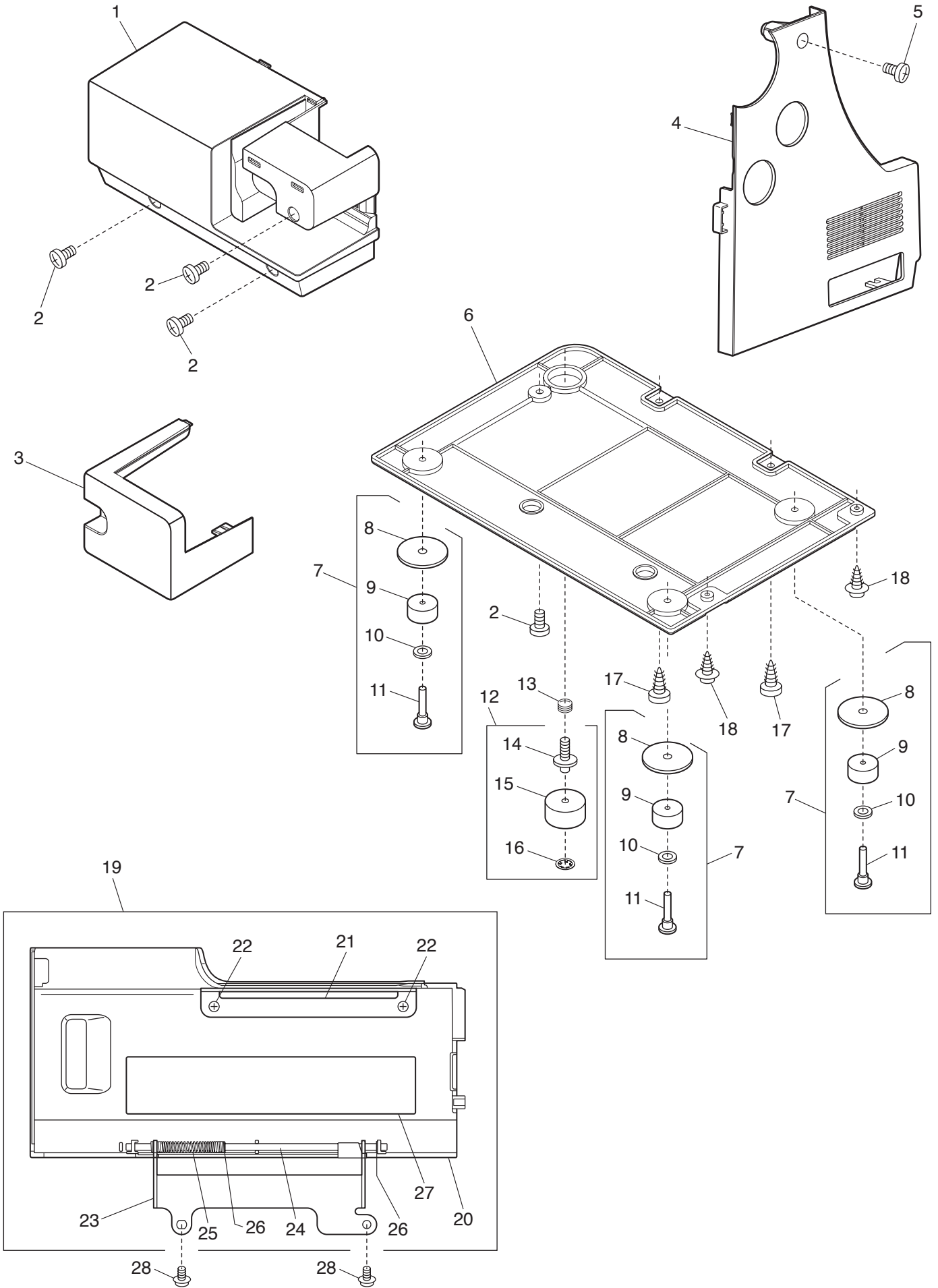
PARTS LIST



PARTS LIST

KEY NO.	PARTS NO.	DESCRIPTION
1	778612003	Top cover (unit)
2	778082A01	Top cover
3	797047103	Thread guide cover
4	797048012	Thread guide spring
5	797049002	Cushion
6	795004102	Carrying handle
7	778083009	Handle supporter
8	730015002	Handle fixing plate pin
9	000120214	Setscrew 3x8 (B)
10	000081005	Setscrew 4x8
11	778613004	Face cover (unit)
12	778084000	Face cover
13	778085A01	Retractable sewing light cover
14	778088004	Retractable sewing light arm
15	000120203	Setscrew 3x8 (B)
16	778086002	Sewing light arm inner cover
17	000078319	Setscrew 3x6
18	859224008	Index spring
19	778087003	Face cover sewing light guide plate
20	303071000	Ring
21	000116103	Washer 4
22	000070104	Washer 3
23	000001207	Snap ring E-2.5
24	862035000	Switch lever spring
25	859225009	Switch lever
26	000102900	Setscrew 2x8
27	778504001	Printed circuit board L1 with micro switch (unit)
28	778089005	Sewing light cover
29	778506003	Printed circuit board L2 (unit)
30	808118000	Sewing light holder 2
31	840602006	Thread cutter (unit)
32	000014306	Snap ring CS-3
33	778090009	Cord guide plate
34	795146004	Sticker
35	778127006	Adjusting screw cover
36	000081016	Setscrew 4x8

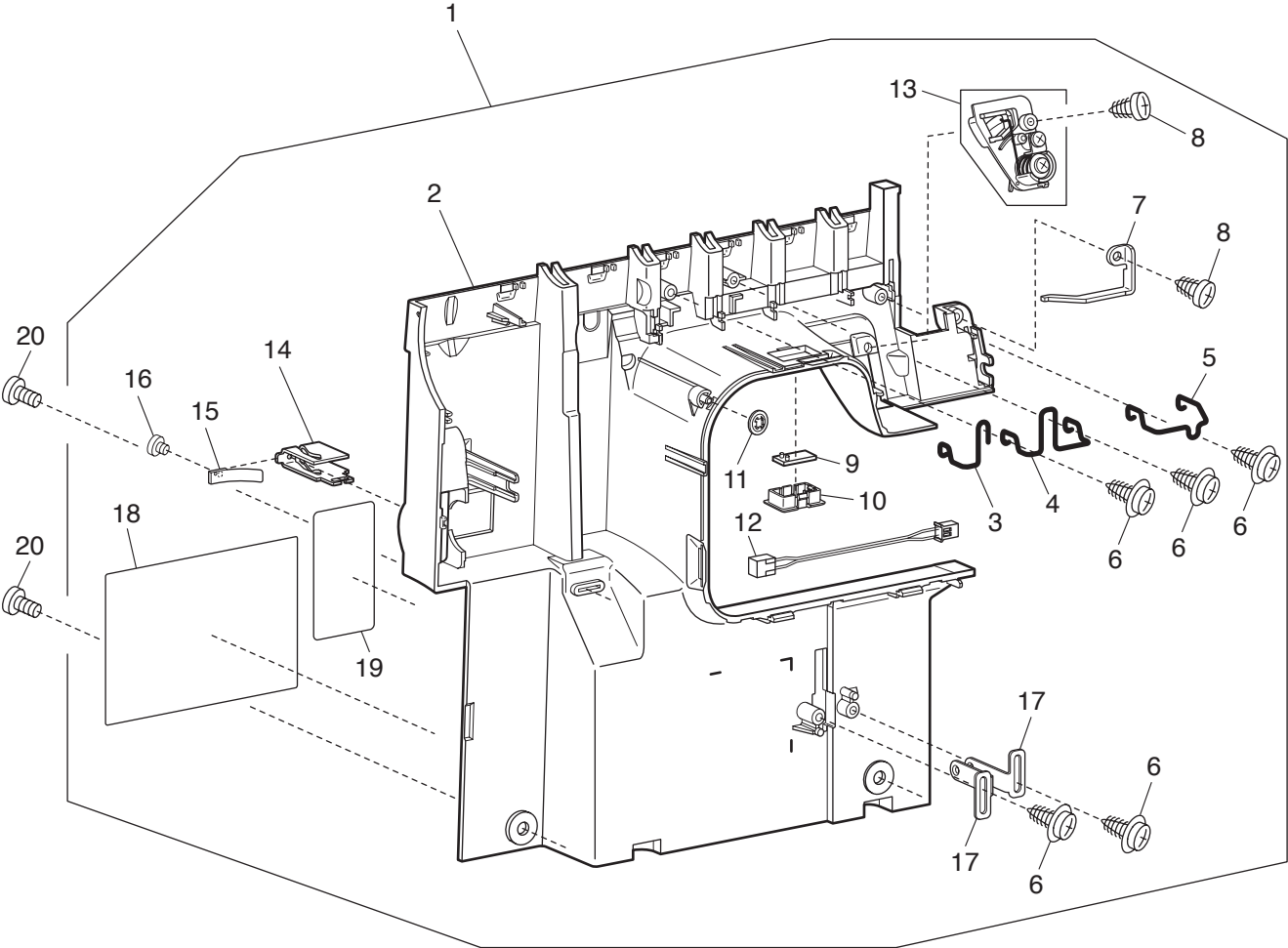
PARTS LIST



PARTS LIST

KEY NO.	PARTS NO.	DESCRIPTION
1	778005007	Free arm cover
2	000081005	Setscrew 4x8
3	778006008	Extension table
4	778103A01	Belt cover
5	000101703	Setscrew 4x12
6	795112104	Base plate
7	866630003	Rubber foot (unit)
8	866070009	Rubber foot washer
9	797363016	Rubber foot
10	000070300	Washer 5
11	784169009	Rubber foot screw
12	795634004	Adjusting screw (unit)
13	795130005	Rubber foot spring
14	795149007	Adjusting screw
15	605074008	Rubber foot
16	813123004	Snap ring CS
17	000198305	Setscrew 4x10 (B)
18	000234603	Setscrew 4x10
19	778603104	Looper cover (unit)
20	778007A01	Looper cover
21	795102008	Attachment set plate
22	000120203	Setscrew 3x8 (B)
23	795011009	Looper cover supporter
24	795013001	Looper cover shaft
25	795150001	Looper cover spring
26	000002105	Snap ring E-3
27	101638A01	Stitch chart
28	000115607	Setscrew TP 4x8

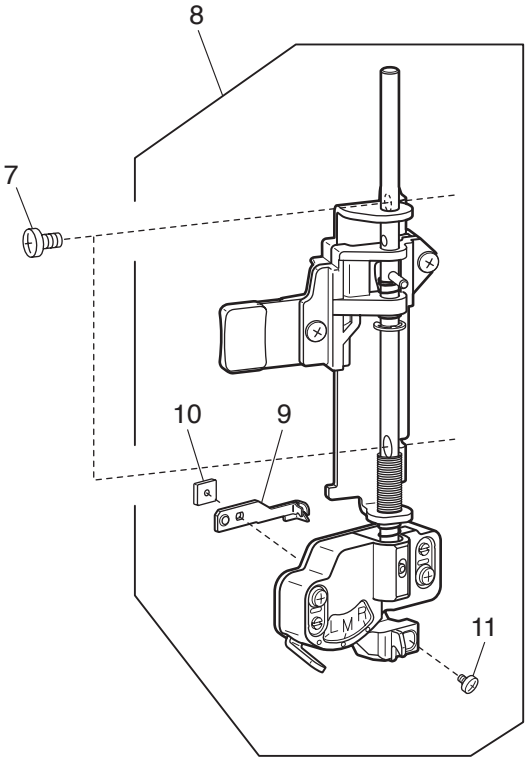
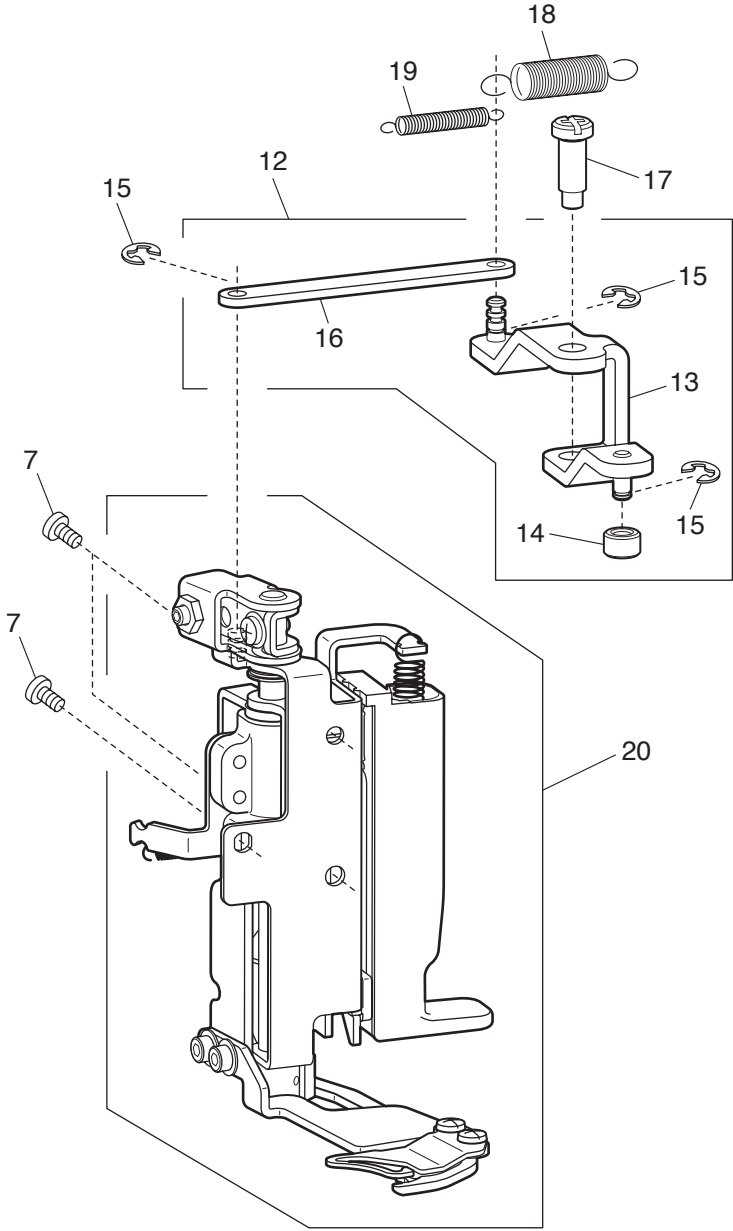
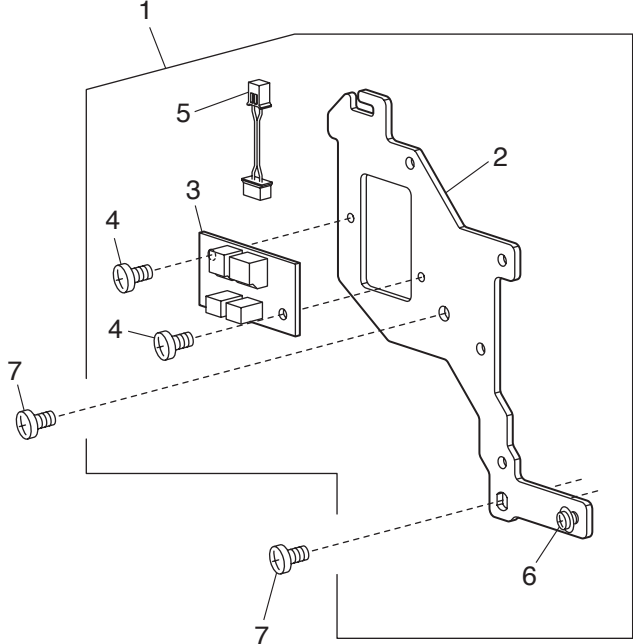
PARTS LIST



PARTS LIST

KEY NO.	PARTS NO.	DESCRIPTION
1	778610001	Front cover (unit)
2	778076A01	Front cover
3	778077000	Top cover stitch thread guide 1
4	795040018	Needle thread guide (1)
5	795192005	Needle thread guide
6	000149312	Setscrew 3x8 (B)
7	795042009	Needle thread guide (3)
8	000120214	Setscrew 3x8 (B)
9	778522005	Printed circuit board L (unit)
10	860167006	Lamp cover 2
11	000014306	Snap ring CS-3
12	778523006	Relay harness 2 (unit)
13	778611002	Top cover stitch thread spring guide (unit)
14	795165009	Looper thread guide (1)
15	795167001	Guide leaf
16	820374004	Setscrew 2x2.3
17	795045002	Looper thread guide (2)
18	101625A03	Thread guide chart
19	101616A04	Sticker
20	000081016	Setscrew 4x8

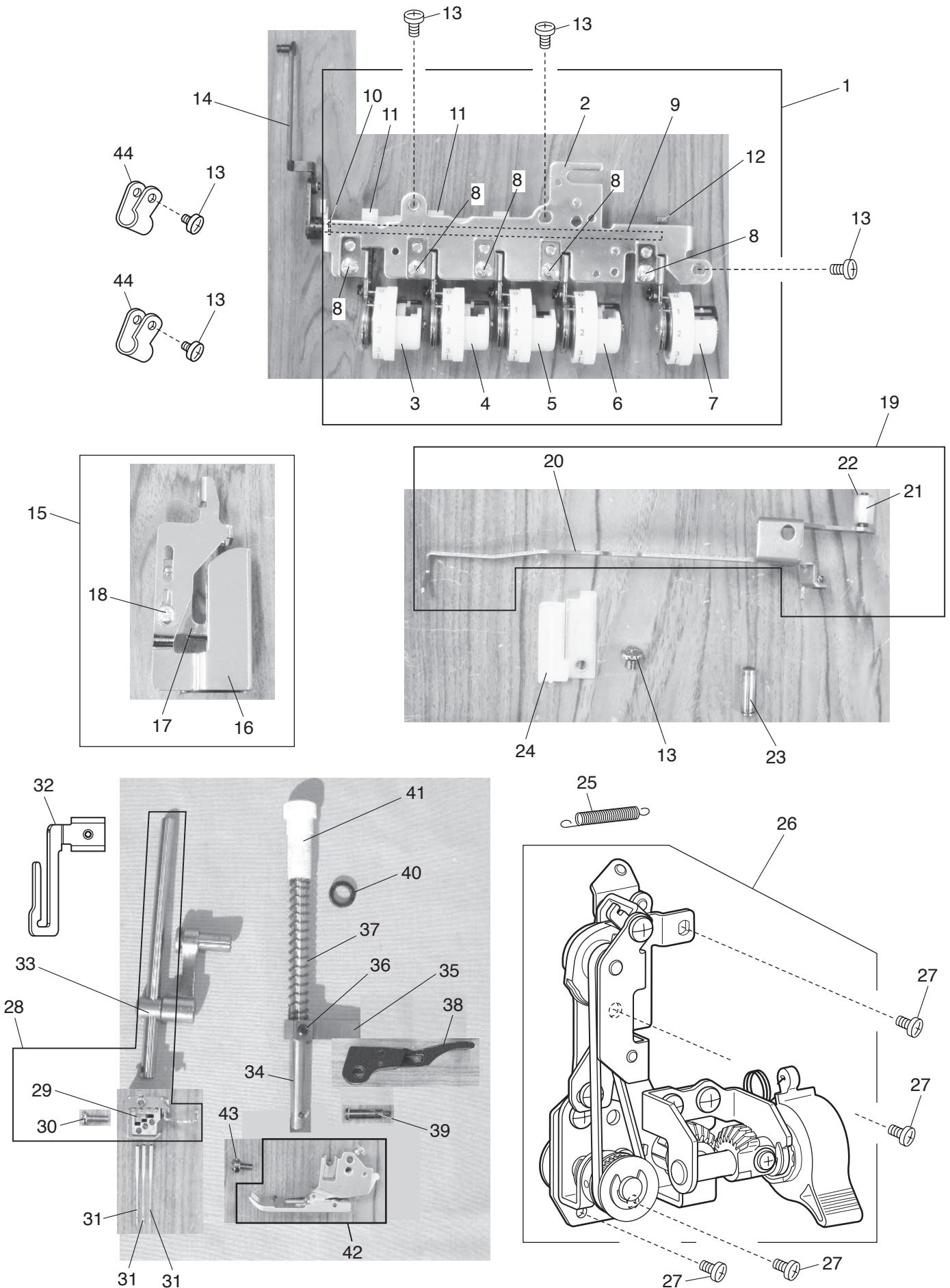
PARTS LIST



PARTS LIST

KEY NO.	PARTS NO.	DESCRIPTION
1	778639006	Face cover set plate (unit)
2	778062002	Face cover set plate
3	778515005	Printed circuit board U (unit)
4	000101116	Setscrew 3x4
5	778516006	Relay harness (unit)
6	000115205	Setscrew TP 4x6
7	000081016	Setscrew 4x8
8	778632009	Needle threader (unit)
9	778501008	Needle threader hook (unit)
10	755095003	Plate nut
11	755096004	Setscrew
12	778627001	Top cover stitch link (unit)
13	778044008	Top cover stitch link 1
14	795034008	Looper cam roller
15	000002105	Snap ring E-3
16	778045009	Top cover stitch link 2
17	778051008	Hinge screw
18	778113009	Top cover stitch cam spring
19	778125004	Backlash removal spring
20	778608006	Top cover stitch mechanism (unit)

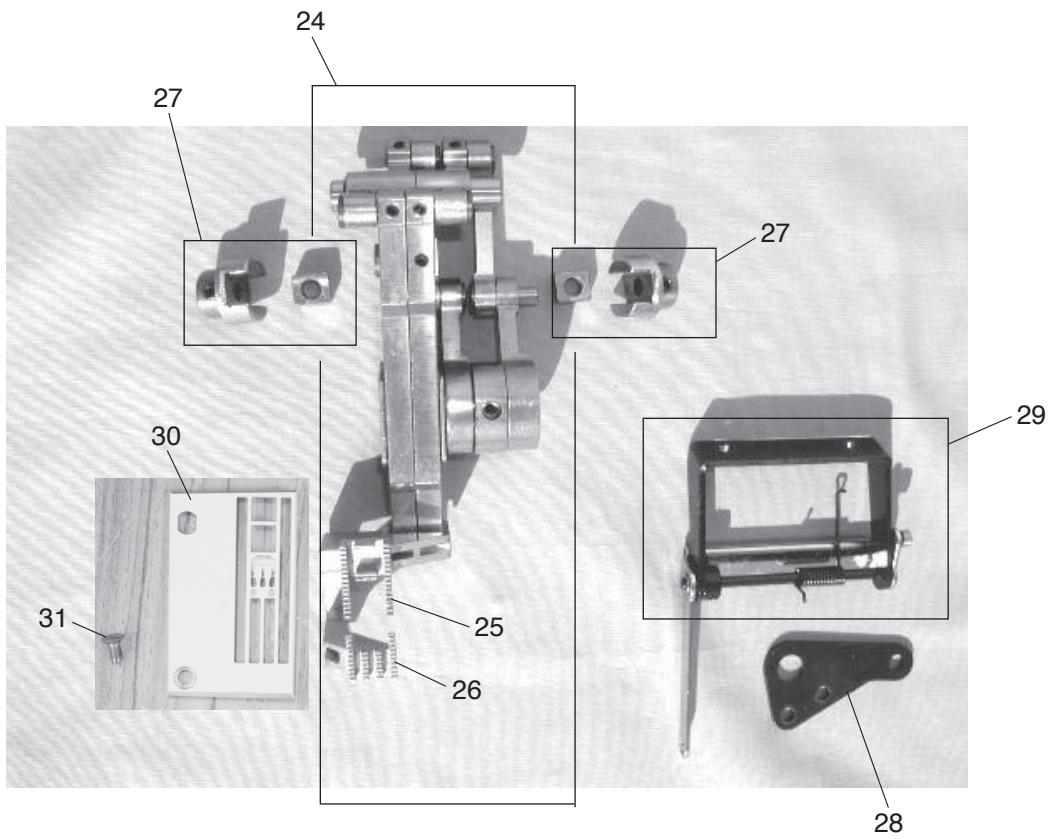
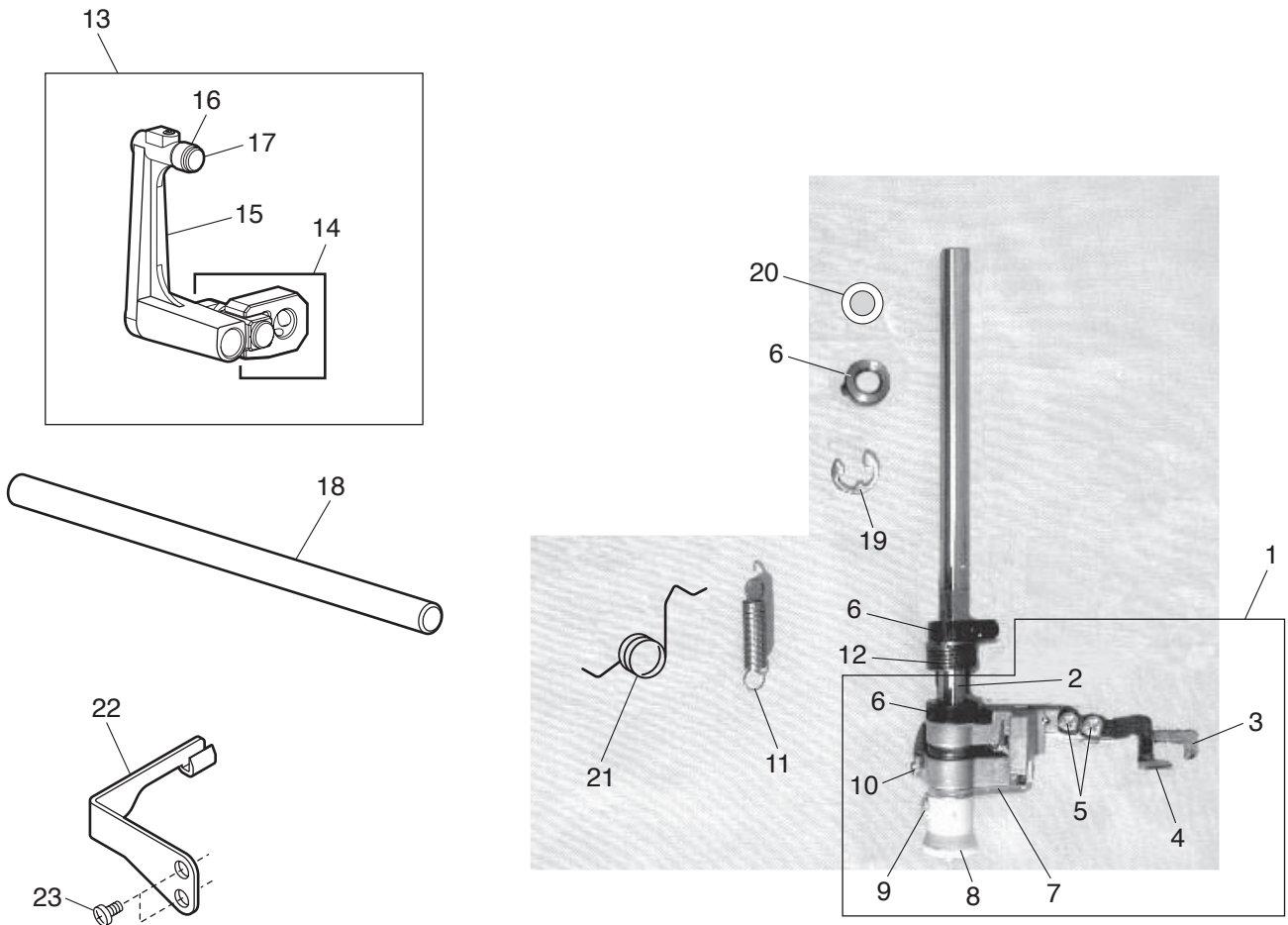
PARTS LIST



PARTS LIST

KEY NO.	PARTS NO.	DESCRIPTION
1	778616007	Thread tension set plate (unit)
2	778097006	Thread tension set plate
3	778507004	Needle thread tension (L) (unit)
4	778520003	Needle thread tension (C) (unit)
5	778521004	Needle thread tension (R) (unit)
6	778508005	Top cover stitch thread tension (unit)
7	778509006	Looper thread tension (unit)
8	000101404	Setscrew 4x6
9	795108015	Needle thread releasing shaft
10	000002507	Snap ring E-4
11	795110009	Cam
12	795191004	Needle thread tension release cam
13	000081005	Setscrew 4x8
14	795615205	Needle thread tension release lever (unit)
15	778630007	Needle thread take-up lever cover (unit)
16	778015000	Needle thread take-up lever cover
17	795121003	Needle thread take-up lever
18	000097406	Setscrew 3x3
19	778606004	Needle thread take-up lever (unit)
20	778011006	Needle thread take-up lever
21	778012007	Cam follower
22	000001207	Snap ring E-2.5
23	795629006	Needle thread take-up lever supporter pin (unit)
24	778014009	Needle thread take-up lever guide
25	778013008	Needle thread take-up lever spring
26	778607016	Needle thread take-up lever switch plate (unit)
27	000081016	Setscrew 4x8
28	778604002	Needle bar (unit)
29	778629003	Needle clamp (unit)
30	000080428	Setscrew 3x10
31	795031108	Needle ELx705-14
32	778634001	Needle threader position set plate (unit)
33	778635002	Needle bar connecting stud (unit)
34	778035006	Presser bar
35	724118007	Presser bar bracket
36	000111304	Hexagonal socket screw 5x5
37	795029000	Presser bar spring
38	778036007	Presser foot lifter
39	778037008	Hinge screw
40	102061008	Washer
41	795030004	Pressure adjusting screw
42	778517007	Presser foot (unit)
43	660106001	Setscrew
44	000188209	Nylon clip ACC-1.5

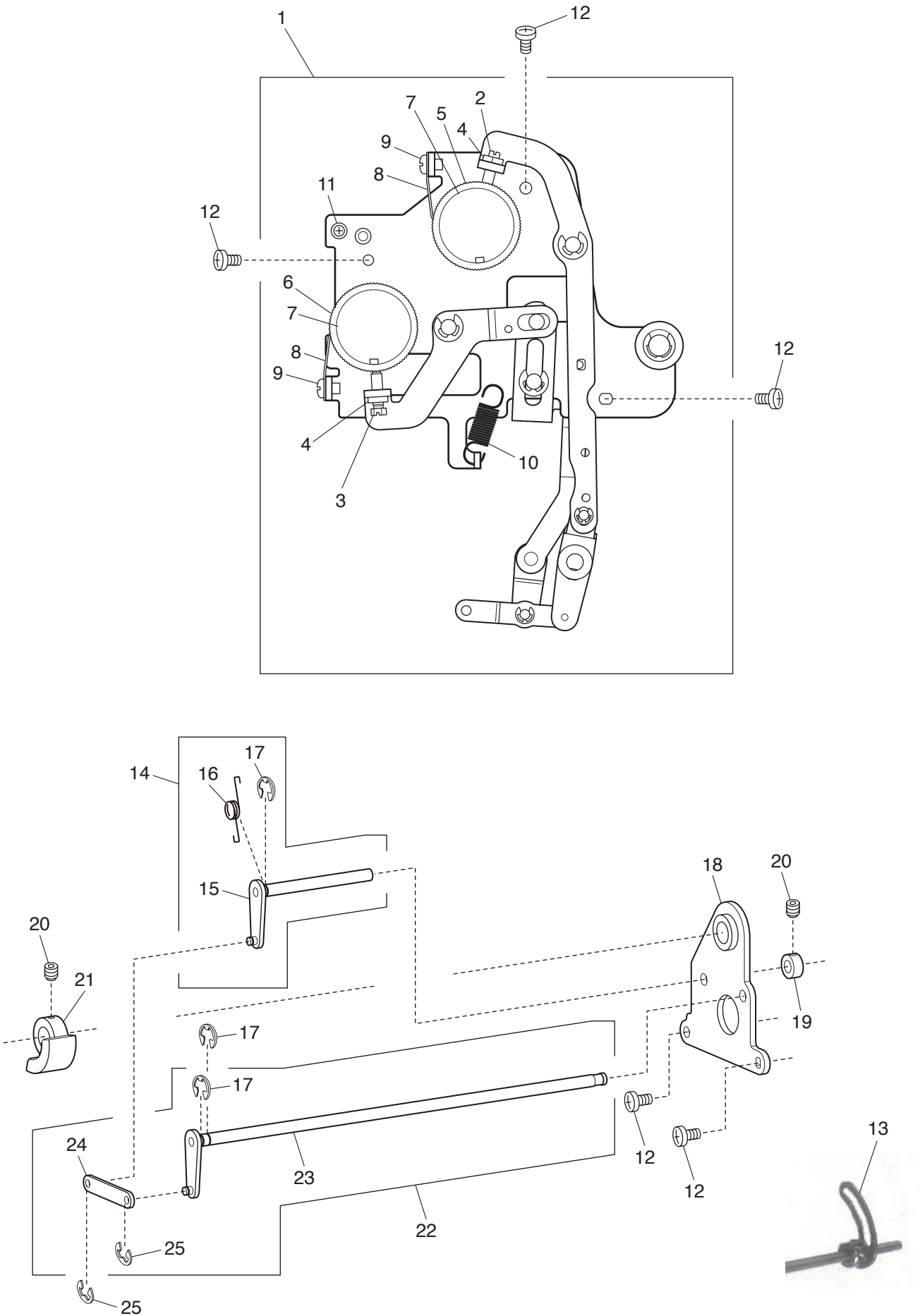
PARTS LIST



PARTS LIST

KEY NO.	PARTS NO.	DESCRIPTION
1	795613100	Looper shaft (unit)
2	795092004	Looper shaft
3	795614101	Looper (unit)
4	778095004	Front needle guard
5	000078320	Setscrew 3x6
6	792048006	Looper shaft ring
7	795099012	Looper link arm
8	795101007	Looper release knob
9	000101116	Setscrew 3x4
10	000138008	Hexagonal bolt 4x16
11	795132007	Looper spring
12	795135000	Looper rocking spring
13	795612006	Looper crank arm (unit)
14	795512005	Looper arm (unit)
15	795089008	Looper rocking arm
16	795034008	Looper cam roller
17	795053003	Looper cam roller pin
18	795088007	Looper rocking shaft
19	000002909	Snap ring E-7
20	000038502	Washer
21	778123002	Looper crank spring
22	795085004	Rear needle guard
23	000081005	Setscrew 4x8
24	795610107	Main feed base (unit)
25	778026004	Main feed dog
26	778027005	Sub feed dog
27	785521109	Feed regulator (unit)
28	795073009	Link shaft support base
29	795609000	Looper thread take-up lever (unit)
30	778601009	Needle plate (unit)
31	681009101	Setscrew

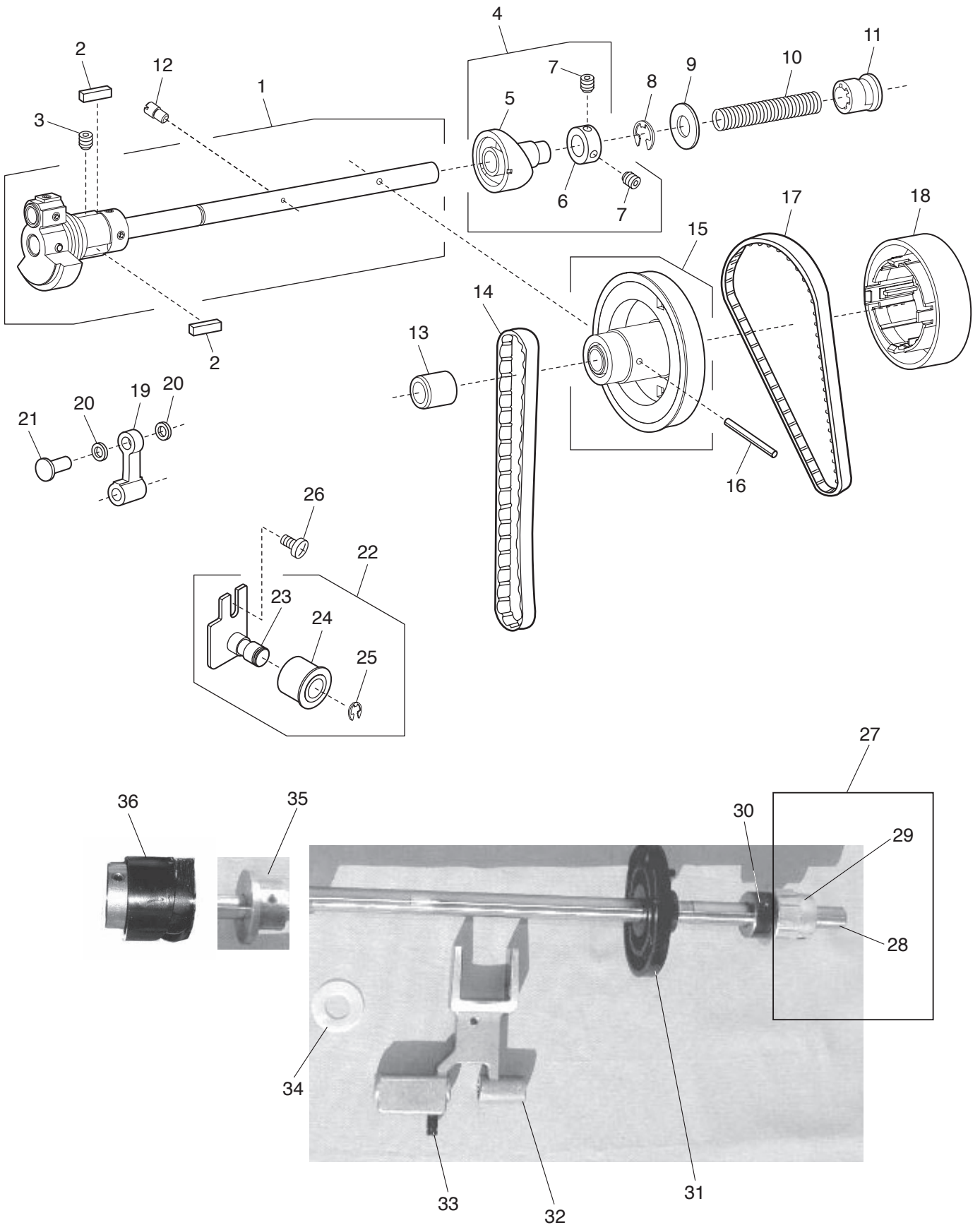
PARTS LIST



PARTS LIST

KEY NO.	PARTS NO.	DESCRIPTION
1	795611038	Feed adjuster bracket (unit)
2	652056000	Adjusting screw
3	785224006	Adjusting screw
4	000160102	Adjustable lock nut 4
5	795087D01	Stitch length dial
6	795087D02	Differential feed dial
7	794099905	Dial cap
8	787263003	Index spring
9	000081119	Setscrew 4x6
10	787259006	Spring
11	000115607	Setscrew TP 4x8
12	000081005	Setscrew 4x8
13	794053000	Sub feed link arm
14	795630000	Sub feed convert arm shaft (unit)
15	795074000	Sub feed convert arm shaft
16	795075001	Sub feed convert arm spring
17	000001609	Snap ring E-5
18	795076002	Lower shaft base
19	650136009	Ring
20	000111201	Hexagonal socket screw 4x4
21	792037002	Balance weight (left)
22	778638005	Sub feed link arm shaft (unit)
23	795077003	Sub feed link arm shaft
24	787081005	Feed convert arm link
25	000002105	Snap ring E-3

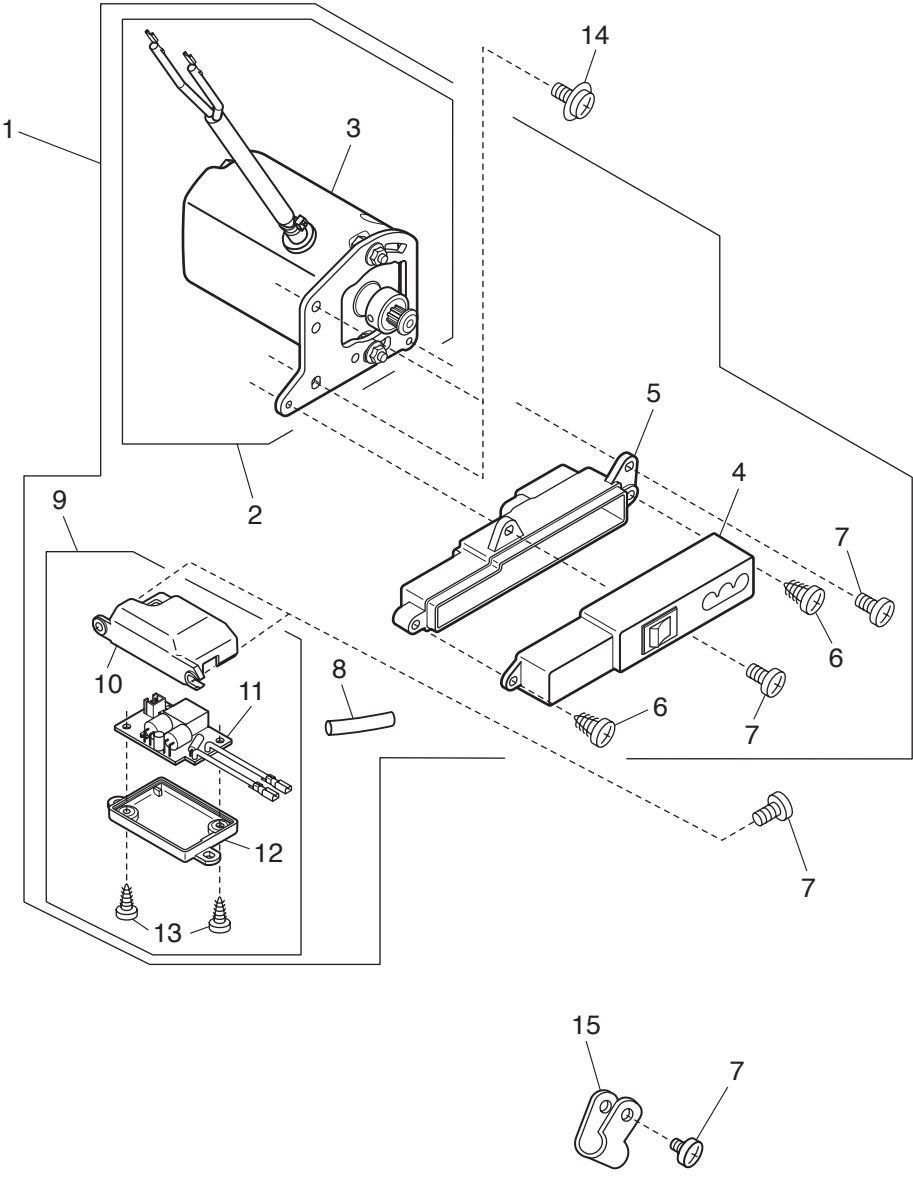
PARTS LIST



PARTS LIST

KEY NO.	PARTS NO.	DESCRIPTION
1	778614005	Upper shaft (unit)
2	731384008	Felt
3	000111201	Hexagonal socket screw 4x4
4	778636003	Top cover stitch cam (unit)
5	778108001	Top cover stitch cam
6	778114000	Ring
7	000111108	Hexagonal socket screw 4x6
8	000002208	Snap ring E-9
9	000071600	Washer 10
10	778091000	Spring
11	778092001	Needle threader take-up lever cam
12	778093002	Take-up lever cam pin
13	673062004	Upper shaft rear bushing
14	795162006	Timing belt 185XL
15	795632013	Belt wheel (unit)
16	000004406	Spring pin 3x24
17	795050000	Timing belt 164XL
18	778094003	Handwheel
19	639016007	Needle bar crank rod
20	000038502	Washer
21	795017005	Needle bar crank pin
22	795607008	Idler (unit)
23	795118007	Idler base
24	625217100	Idler
25	000002806	Snap ring E-6
26	000081005	Setscrew 4x8
27	795608102	Lower shaft (unit)
28	795051104	Lower shaft
29	795173000	Lower shaft timing gear
30	619006002	Upper shaft ring
31	795057007	Looper take-up lever cam
32	795056006	Looper rod
33	795134009	Screw (2)
34	000038605	Washer
35	778640103	Looper cam (unit)
36	795628005	Looper rocking cam (unit)

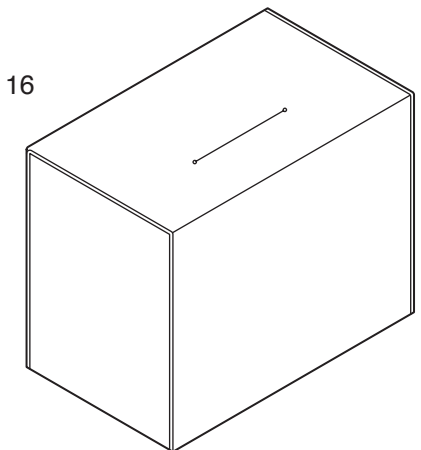
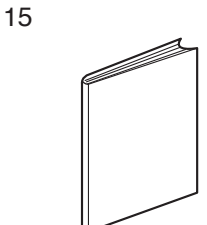
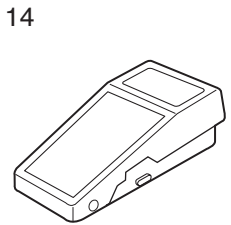
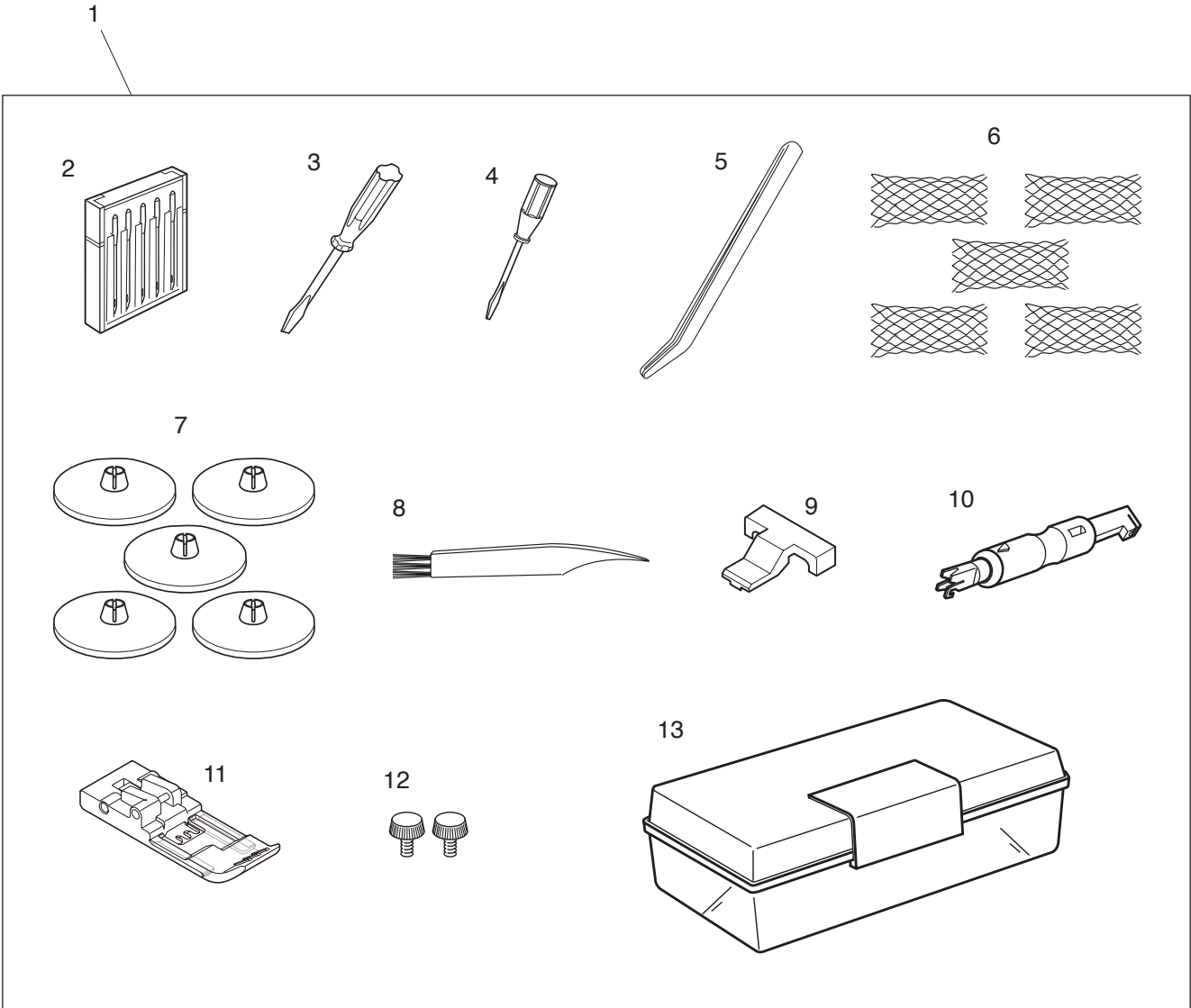
PARTS LIST



PARTS LIST

KEY NO.	PARTS NO.	DESCRIPTION
1	778618607	Machine socket (whole unit) (Continental Europe)
	778618700	Machine socket (whole unit) (Australia) (UK)
2	778620004	Motor (unit) (Continental Europe)
	778620107	Motor (unit) (Australia) (UK)
3	778511001	Motor
4	777502109	Machine socket (unit)
5	794087003	Machine socket cover
6	000121905	Setscrew 4x12 (B)
7	000081005	Setscrew 4x8
8	652102909	PVC tube
9	778621108	Switching regulator (unit)
10	795181012	Printed circuit board C case
11	778514107	Switching regulator
12	795182002	Printed circuit board C case cover
13	000120203	Setscrew 3x8 (B)
14	000115504	Setscrew TP 5x10
15	000188209	Nylon clip ACC-1.5

PARTS LIST



PARTS LIST

KEY NO.	PARTS NO.	DESCRIPTION
1	778870001	Standard accessories (unit)
2	778805005	Needle case (unit)
3	784810002	Screwdriver (large)
4	792030005	Screwdriver (small)
5	624801001	Tweezers
6	624806006	Net
7	822020503	Spool cap
8	802424004	Lint brush
9	797813005	Tension release clip
10	202024002	Needle threader
11	778524007	Clear view foot
12	200217134	Thumbscrew (for fixing optional accessories)
13	366401400	Accessory box
14	C-2060-1	Foot control (Continental Europe)
	C-2065-1	Foot control (Australia)
	C-2064-1	Foot control (UK)
15	778800000	Instruction book (English)
	778800011	Instruction book (French)
	778800022	Instruction book (German)
	778800033	Instruction book (Dutch)
16	795801107	Cover