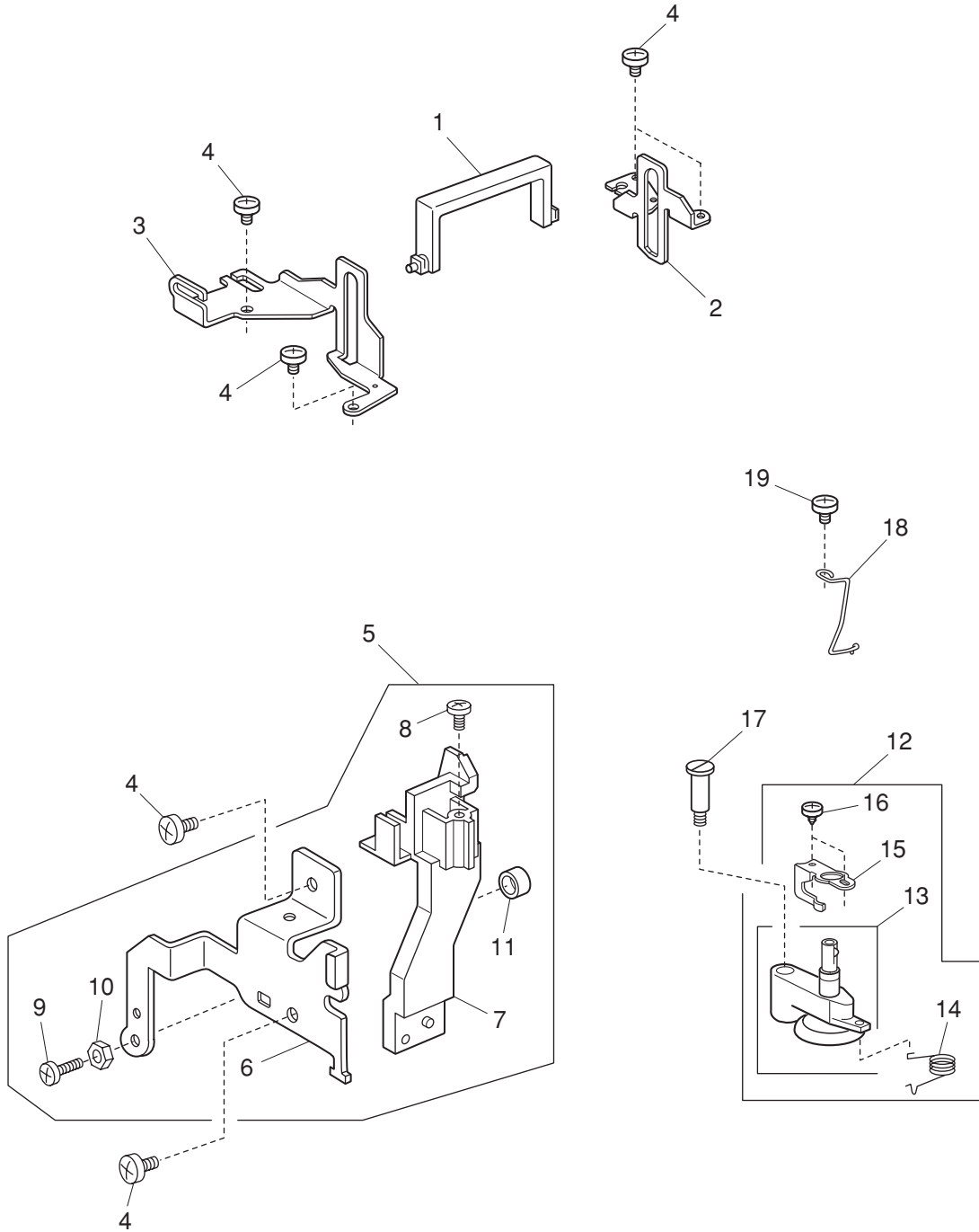


# **PARTS LIST**

**MODEL: Sewist 725S**

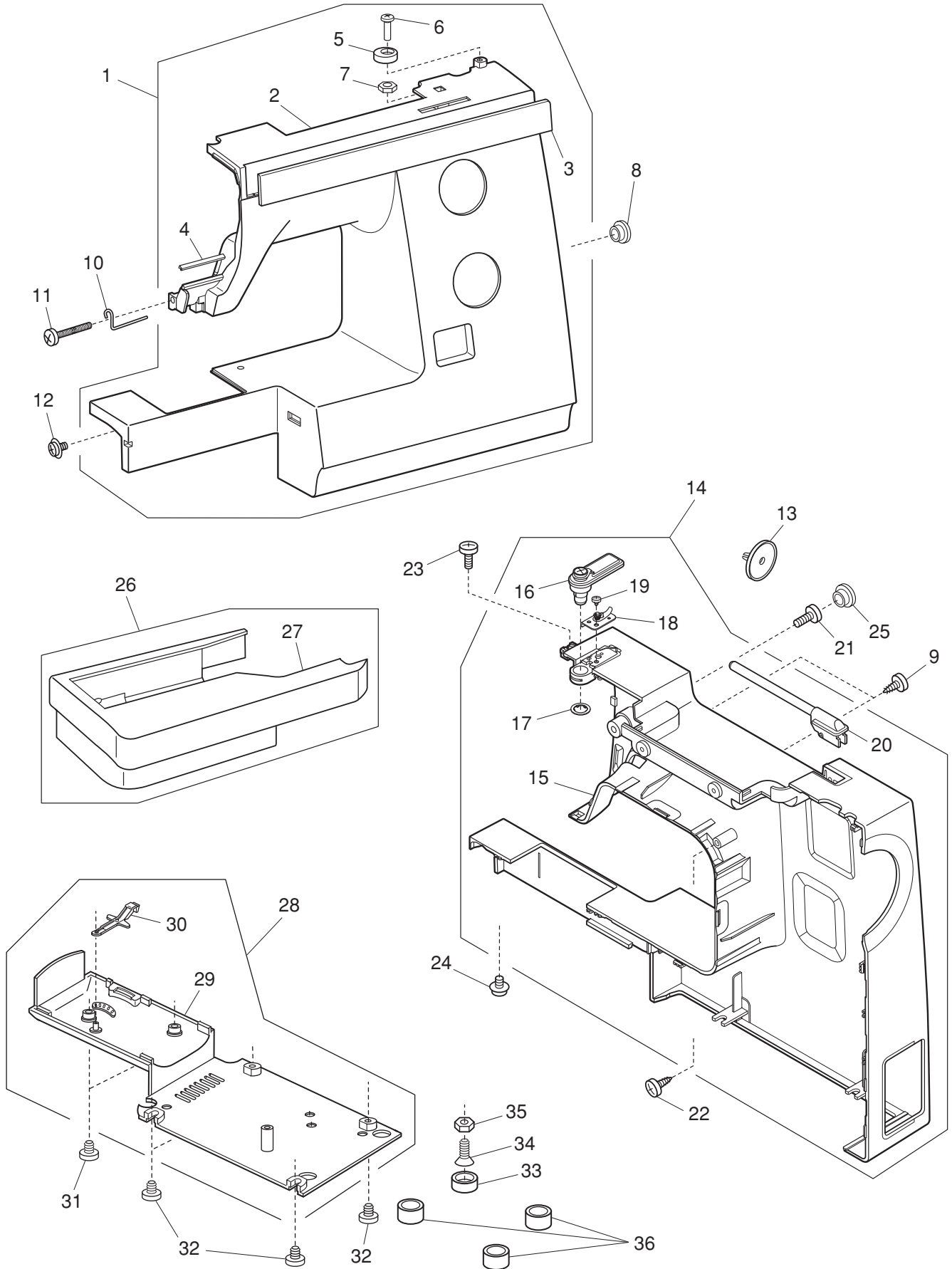
# PARTS LIST



## PARTS LIST

KEY NO.	PARTS NO.	DESCRIPTION
1	751100000	Carrying handle
2	507150002	Carrying handle supporter (right)
3	507116006	Carrying handle supporter (left)
4	000081005	Setscrew 4x8
5	507605111	Face plate set plate (unit)
6	507161006	Face plate set plate
7	751375008	Needle thread shaft guide
8	000076306	Setscrew 3x10
9	000105419	Setscrew 4x20
10	000160102	Adjustable lock nut 4
11	685042005	Supporter stopper
12	844628033	Bobbin winder (unit)
13	827506008	Bobbin winder
14	823119008	Bobbin winder spring
15	844075039	Clutch releasing arm
16	000120203	Setscrew 3x8 (B)
17	652093009	Setscrew
18	652137006	Arm thread guide (2)
19	000101404	Setscrew 4x6

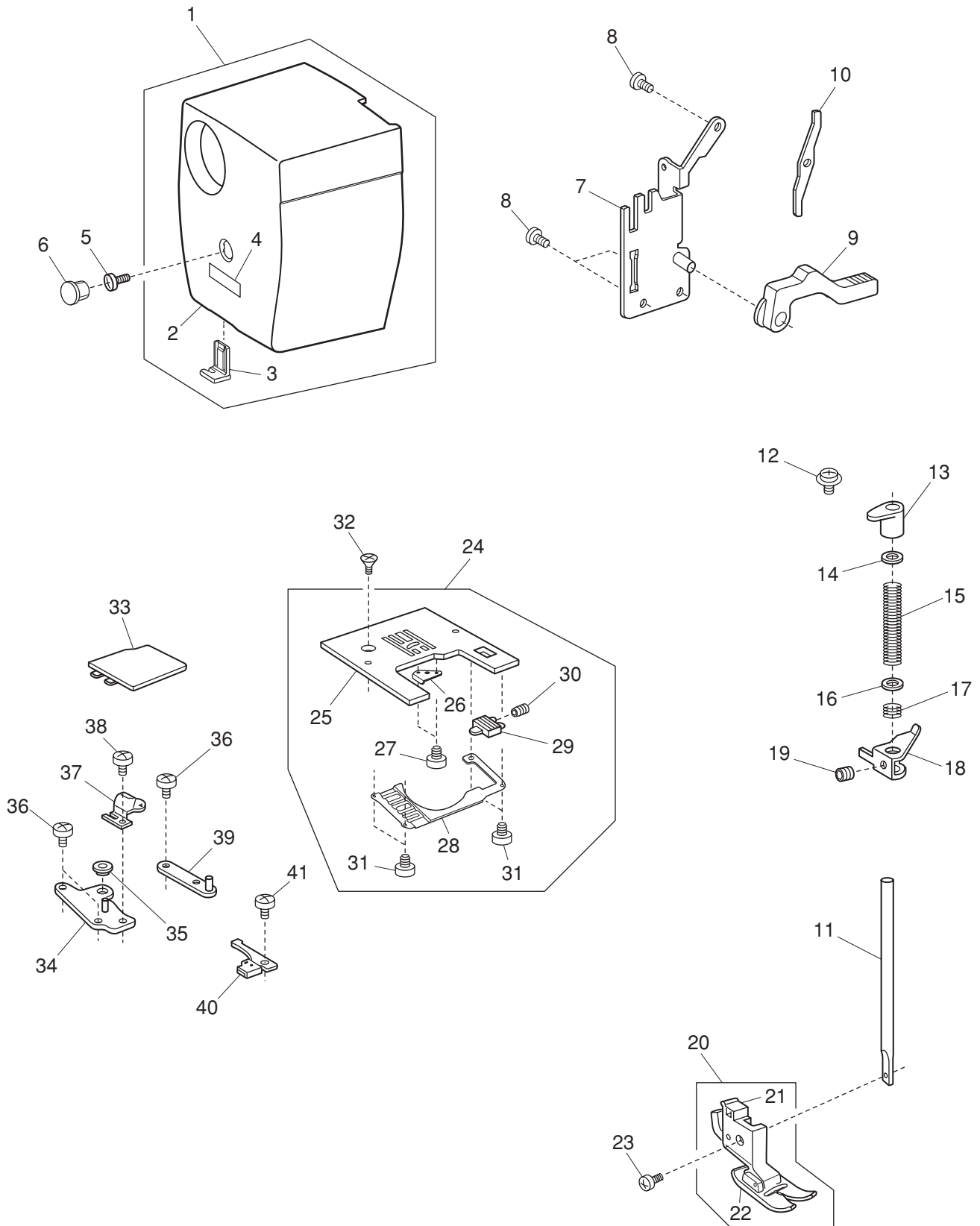
# PARTS LIST



## PARTS LIST

KEY NO.	PARTS NO.	DESCRIPTION
1	507675204	Front cover (unit)
2	507198B01	Front cover
3	507199A01	Ornamental panel
4	753125007	Thread guard
5	735016307	Bobbin winder stopper
6	000103107	Setscrew 4x14
7	000061205	Nut 4-3-7
8	745033002	Cap
9	000161310	Setscrew 3x12 (B)
10	753126008	Arm thread guide
11	000092917	Setscrew 3.5x27
12	000115205	Setscrew TP 4x6
13	822020503	Spool holder
14	507672005	Rear cover (unit)
15	507191A01	Rear cover
16	650503322	Thread guide (unit)
17	000014409	Snap ring CS-8
18	827503005	Top cover thread guide (unit)
19	000162001	Setscrew 2.6x5 (B)
20	659067005	Spool pin
21	000101817	Setscrew 4x16
22	000121905	Setscrew 4x12 (B)
23	810220003	Setscrew
24	000115205	Setscrew TP 4x6
25	745033002	Cap
26	507526A01	Extension table (unit)
27	507526003	Extension table
28	507601003	Base cover (unit)
29	507001007	Base cover
30	753005000	Drop feed lever
31	000101703	Setscrew 4x12
32	000103509	Setscrew 4x10
33	735002001	Rubber foot
34	000097808	Flat screw 5x25
35	000061412	Nut 5-3-8
36	647009002	Rubber foot base

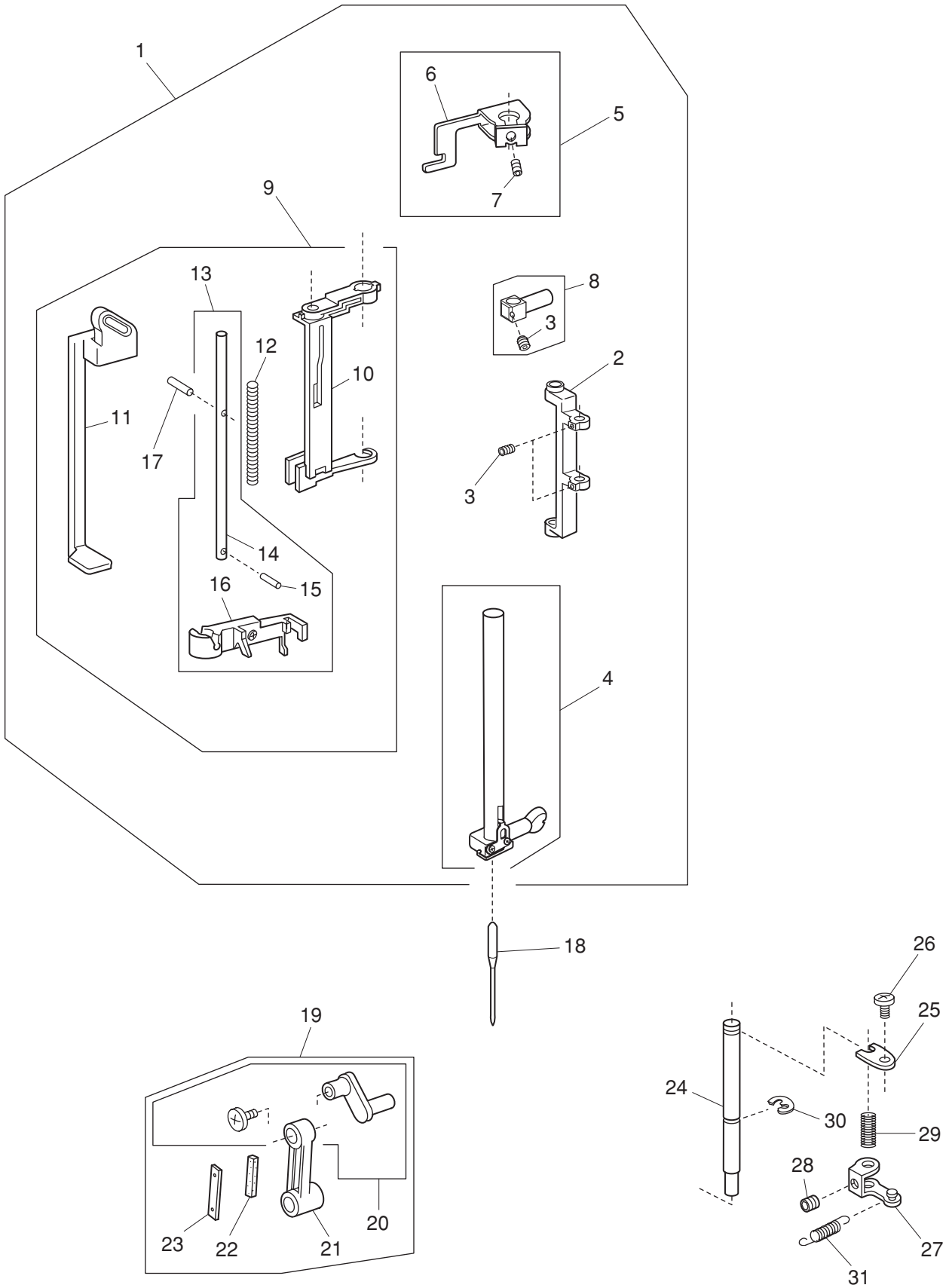
# PARTS LIST



# PARTS LIST

KEY NO.	PARTS NO.	DESCRIPTION
1	507674007	Face plate (unit) (U.S.A.) (Australia) (UK) (Continental Europe)
	507674100	Face plate (unit) (Canada)
2	507194A01	Face plate
3	840602006	Thread cutter (unit)
4	100517008	Caution sticker (2) (Canada)
5	000101703	Setscrew 4x12
6	745033002	Cap
7	507156008	Presser bar base plate
8	000081005	Setscrew 4x8
9	735029004	Presser foot lifter
10	751142004	Thread tension release lever
11	827021004	Presser bar
12	000193001	Setscrew TP (HS) 4x6
13	652104004	Presser bar bushing
14	652201002	Washer
15	826006000	Presser bar spring
16	826055004	Washer
17	826056005	Presser foot support spring
18	735028003	Presser bar supporter
19	000111500	Hexagonal socket screw 4x8
20	660508007	Presser foot (unit)
21	660806008	Presser foot holder (unit)
22	685502019	Zigzag foot
23	660106001	Setscrew
24	751603802	Needle plate (unit)
25	653179405	Needle plate
26	654078004	Bobbin holder set plate
27	820373003	Setscrew 2x3
28	751374007	Hook cover plate supporter
29	825016000	Hook cover plate release button
30	825017001	Hook cover plate release button spring
31	820374004	Setscrew 2x2.3
32	820390109	Needle plate set screw
33	750036012	Hook cover plate
34	751008007	Needle plate adjusting plate (left)
35	822314002	Nut
36	000066705	Setscrew 3x8
37	822011109	Bobbin holder stopper
38	000103808	Setscrew 3x5
39	751009008	Needle plate adjusting plate (right)
40	751502109	Bobbin holder stopper (unit)
41	810220003	Setscrew

# PARTS LIST

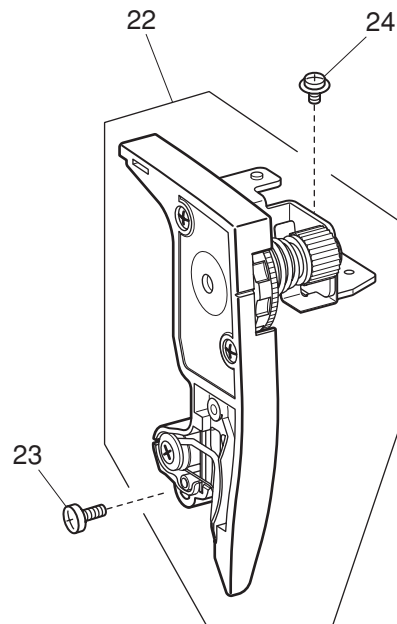
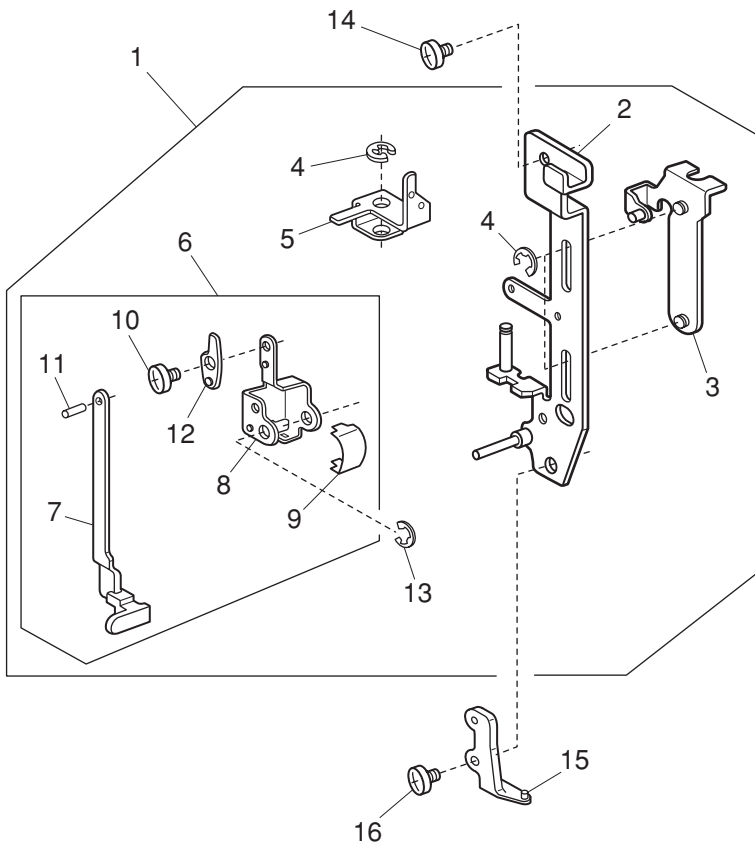
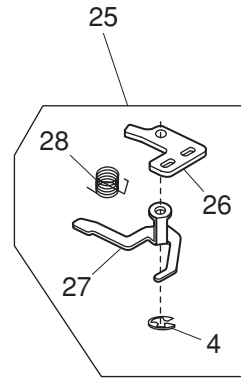
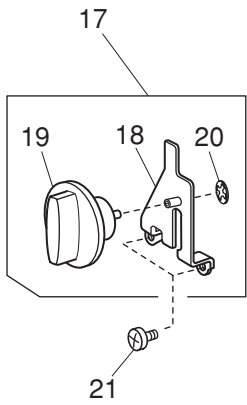




## PARTS LIST

KEY NO.	PARTS NO.	DESCRIPTION
1	755627103	Needle bar supporter (unit)
2	751014006	Needle bar supporter
3	000111201	Hexagonal socket screw 4x4
4	751630015	Needle bar (unit)
5	807607019	Threader positioning setting plate (unit)
6	807018109	Threader positioning setting plate
7	000111902	Hexagonal socket screw 3x4
8	507521008	Needle bar connecting stud (unit)
9	659633008	Needle threader (unit)
10	755062001	Threader frame
11	853026011	Threader lever
12	755067006	Needle threader spring
13	755625008	Threader shaft (unit)
14	755066005	Threader shaft
15	000003508	Spring pin 2x8
16	755643002	Threader plate (unit)
17	000125105	Guide pin E-2x16-CH
18	102408089	Needle
19	846615000	Needle bar crank rod (unit)
20	652512009	Needle bar crank pin (unit)
21	650039001	Needle bar crank rod
22	650040005	Felt
23	650041006	Spring
24	650033005	Supporter shaft
25	650034006	Supporter shaft stopper plate
26	000101404	Setscrew 4x6
27	650035007	Zigzag width arm
28	000111108	Hexagonal socket screw 4x6
29	650036008	Supporter shaft spring
30	000001609	Snap ring E-5
31	507094007	Needle bar supporter spring

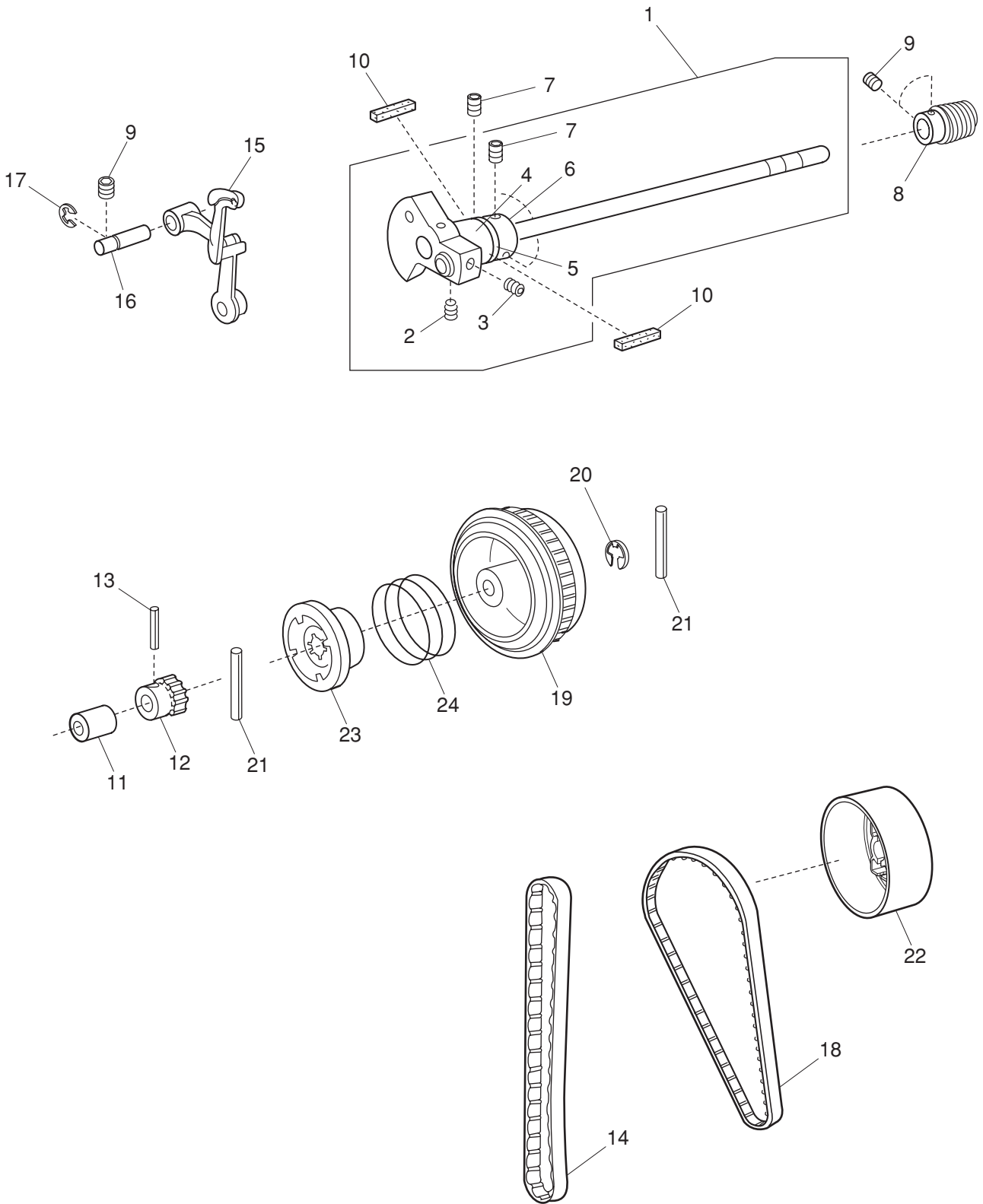
# PARTS LIST



## PARTS LIST

KEY NO.	PARTS NO.	DESCRIPTION
1	507606008	Front bracket (unit)
2	507007014	Front bracket
3	501009007	Presser foot pressure adjusting plate
4	000002105	Snap ring E-3
5	751022100	Drag rod link
6	751657007	Buttonhole lever (unit)
7	751610008	Buttonhole lever
8	753026203	Buttonhole lever support plate
9	753027008	Friction spring
10	652203004	Setscrew 3x3.5
11	000023009	Spring pin 1.6x4
12	753029000	Buttonhole lever adjusting plate
13	000001207	Snap ring E-2.5
14	000081005	Setscrew 4x8
15	755074006	Threader guide plate
16	000103509	Setscrew 4x10
17	507607009	Presser foot pressure dial (unit)
18	501008109	Dial set plate
19	507008004	Presser foot pressure dial
20	000014007	Snap ring CS-4
21	000106203	Setscrew 3.5x4
22	507525002	Thread tension (unit)
23	000101703	Setscrew 4x12
24	000115205	Setscrew TP 4x6
25	507638009	Thread tension release arm (unit)
26	752055002	Thread tension release arm base
27	751215009	Thread tension release arm
28	752056003	Thread tension release spring

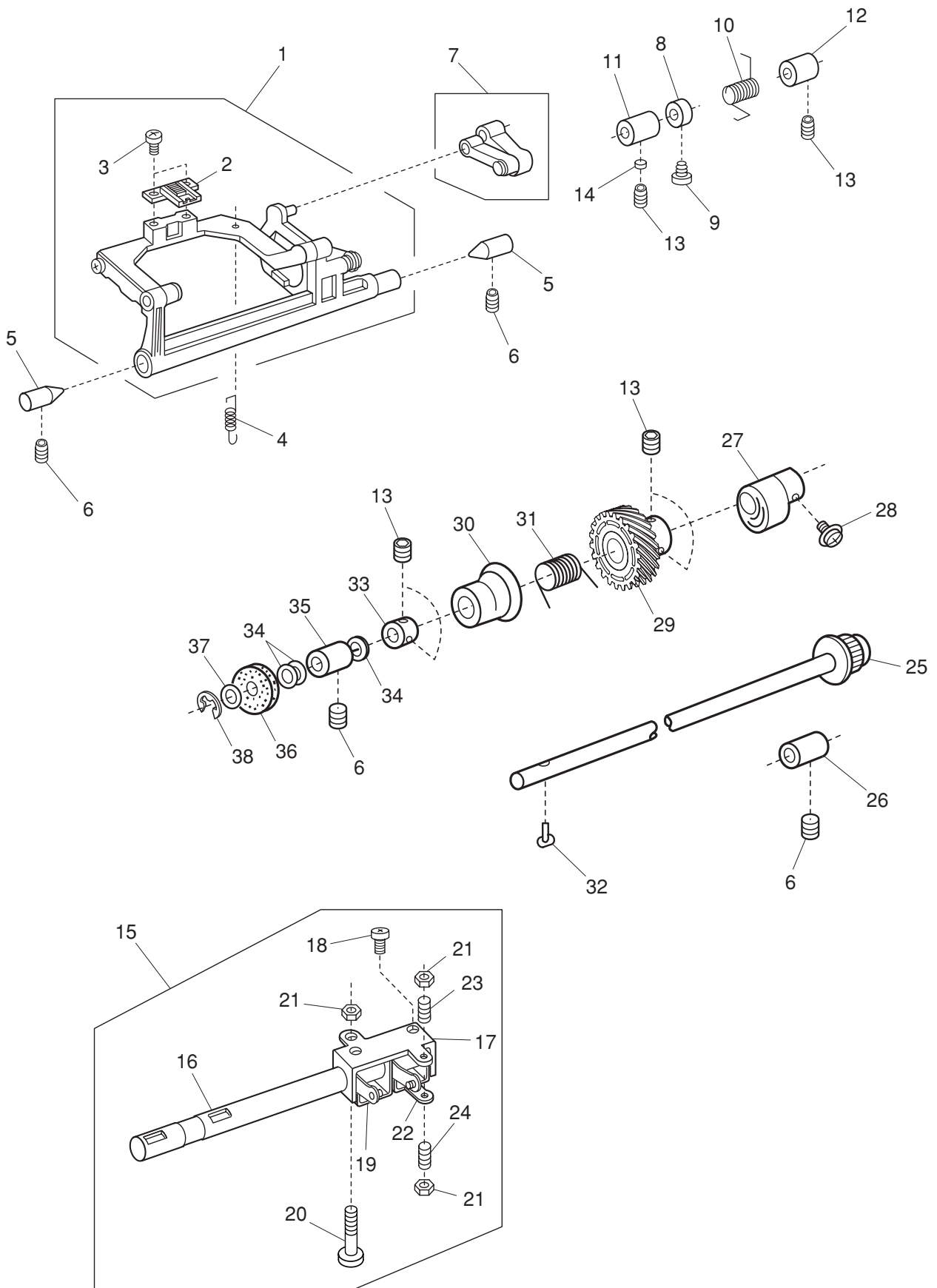
# PARTS LIST



## PARTS LIST

KEY NO.	PARTS NO.	DESCRIPTION
1	843643307	Upper shaft (unit)
2	000111706	Hexagonal socket screw 5x8
3	000110901	Hexagonal socket screw 5x4
4	829042007	Upper shaft front bushing
5	000038605	Washer
6	639095000	Upper shaft ring
7	000111304	Hexagonal socket screw 5x5
8	507189000	Worm
9	000111201	Hexagonal socket screw 4x4
10	731384008	Felt
11	673062004	Upper shaft rear bushing
12	756017004	Upper shaft gear
13	000020501	Spring pin 3x22
14	650071005	Timing belt
15	820511108	Thread take-up lever (unit)
16	650062003	Thread take-up lever pin
17	000002806	Snap ring E-6
18	653139012	Timing belt
19	844050016	Belt wheel
20	000030205	Snap ring E-8
21	000024206	Spring pin 3x30
22	507196000	Handwheel
23	502064003	Clutch ring
24	502065004	Clutch spring

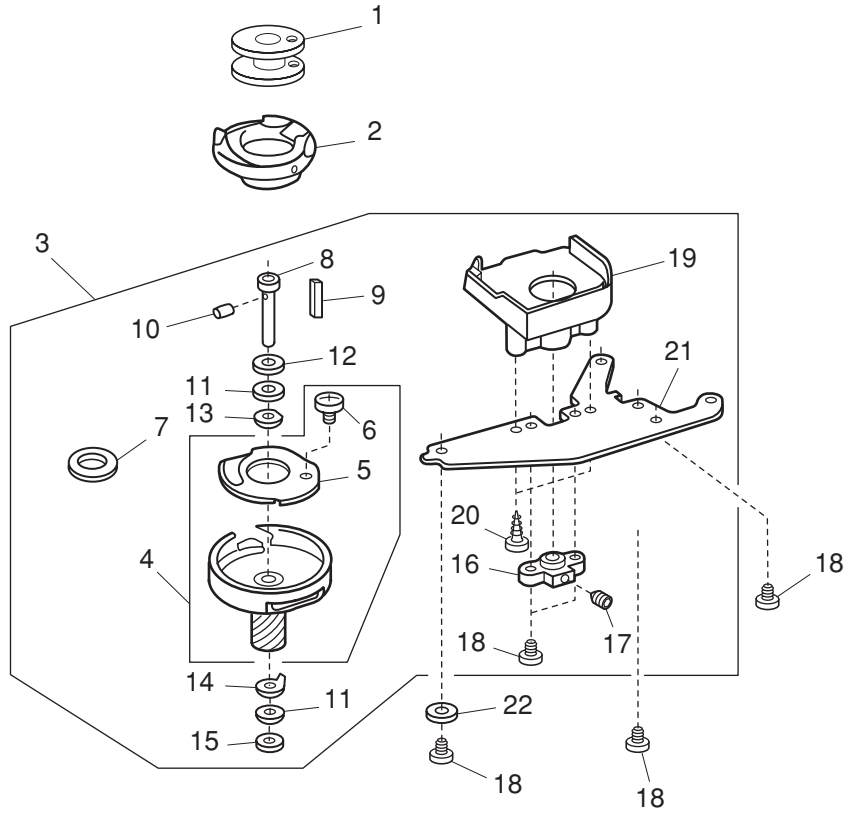
# PARTS LIST



## PARTS LIST

KEY NO.	PARTS NO.	DESCRIPTION
1	751666504	Feed lock shaft (unit)
2	653193003	Feed dog
3	000104005	Setscrew 3.5x8
4	650085002	Feed base spring
5	738055008	Straight pin
6	000111304	Hexagonal socket screw 5x5
7	650612004	Feed regulator (unit)
8	820387000	Ring
9	000081005	Setscrew 4x8
10	507095008	Feed regulator spring
11	625144002	Feed shaft bushing (front)
12	650092002	Feed shaft bushing (rear)
13	000111201	Hexagonal socket screw 4x4
14	650175000	Cushion
15	507608000	Feed regulating plate (unit)
16	507062006	Feed shaft
17	507011103	Feed shaft set plate
18	000081500	Setscrew 3x12
19	507064008	SS adjusting plate
20	507087007	Feed adjusting screw
21	000160102	Adjustable lock nut 4
22	507063007	Feed regulating plate
23	000159201	Setscrew 4x12
24	648010009	Setscrew
25	751612206	Lower shaft (unit)
26	650079003	Lower shaft bushing (rear)
27	751148000	Feed cam
28	000115009	Setscrew TP 3x8
29	808137005	Lower shaft gear
30	753183025	Feed lifting cam
31	686035008	Feed lifting cam spring
32	820161006	Feed lifting pin
33	820166001	Lower shaft ring
34	000038502	Washer
35	650078002	Lower shaft bushing (front)
36	735143005	Felt
37	858177002	Washer
38	000002806	Snap ring E-6

# PARTS LIST

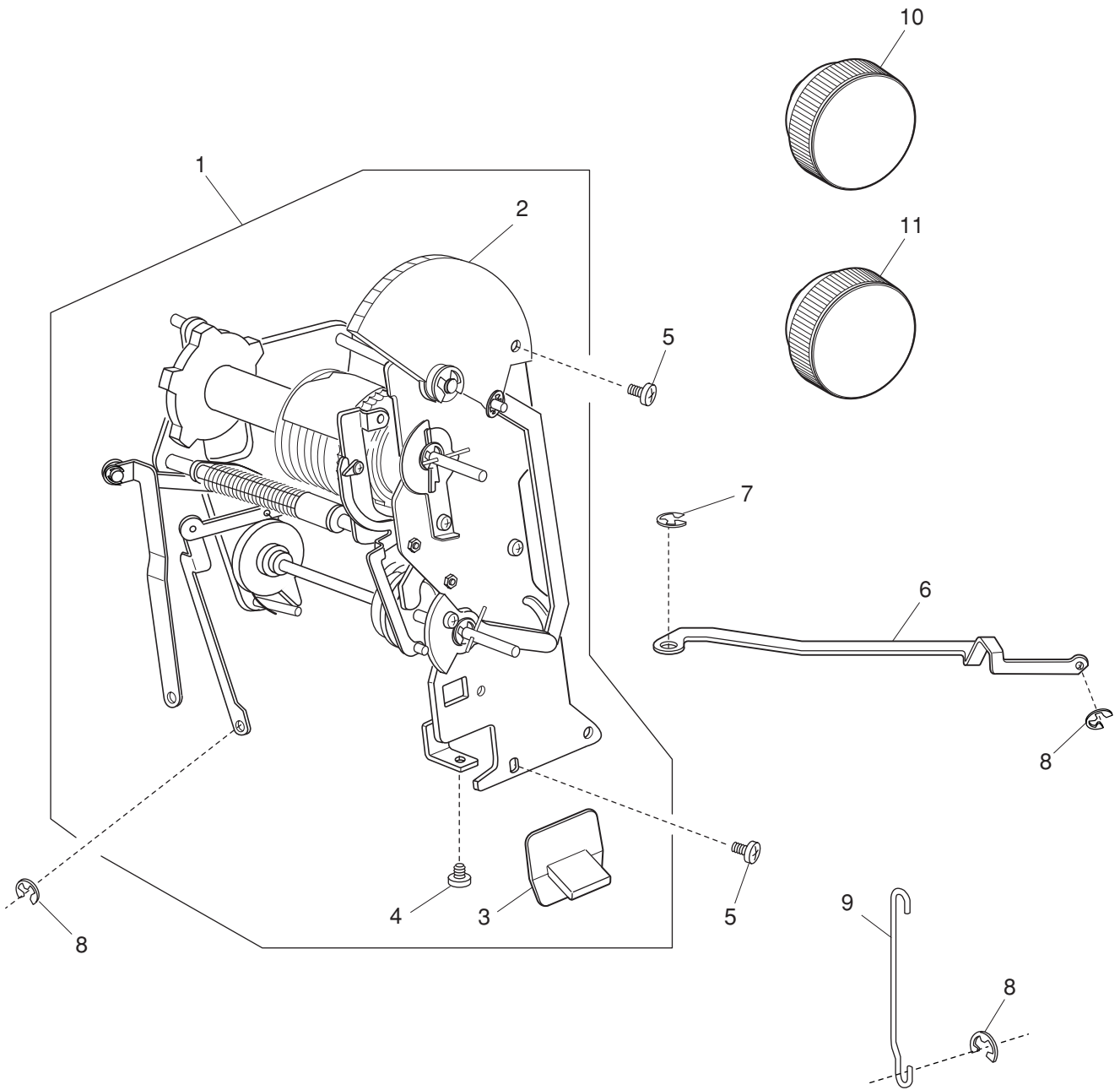




## PARTS LIST

KEY NO.	PARTS NO.	DESCRIPTION
1	102261103	Bobbin
2	627569106	Bobbin holder (unit)
3	660655011	Hook race (unit)
4	660536004	Hook body (unit)
5	508137006	Hook bottom plate
6	820374004	Setscrew 2x2.3
7	627190010	Magnet
8	820123006	Hook race shaft
9	820124007	Oil string (1)
10	820125008	Oil string (2)
11	000038409	Washer
12	508118001	Washer
13	508139008	Magnet set plate
14	627192001	Washer
15	625102008	Washer
16	650094004	Hook race shaft base
17	000111304	Hexagonal socket screw 5x5
18	000081005	Setscrew 4x8
19	827040009	Cover
20	000107204	Setscrew 3x12 (B)
21	823106002	Hook race set plate
22	000070506	Washer 4

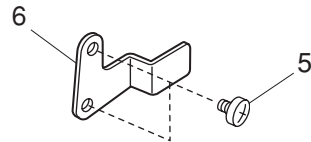
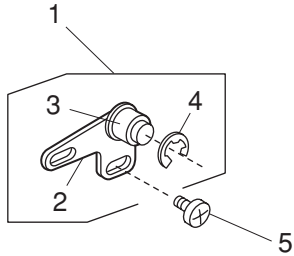
# PARTS LIST



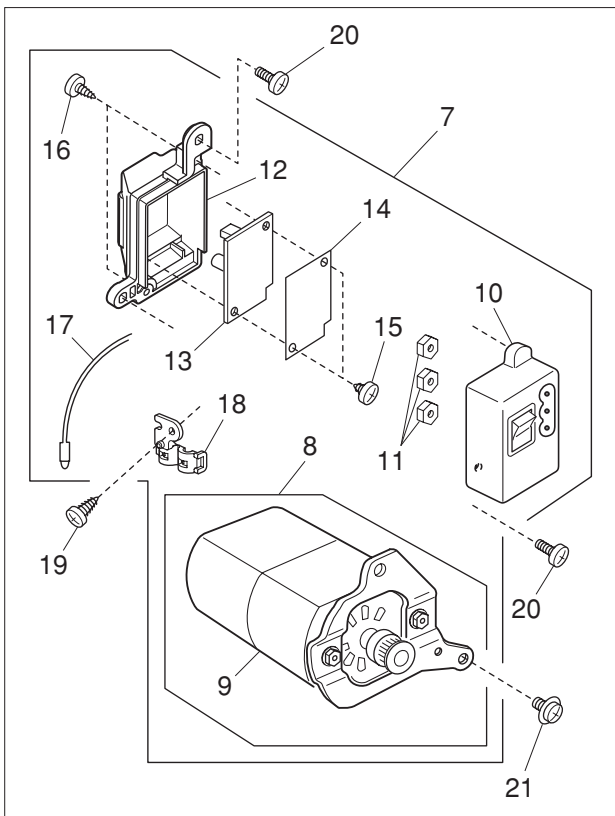
## PARTS LIST

KEY NO.	PARTS NO.	DESCRIPTION
1	507636018	Cam block (unit)
2	507041700	Stitch width dial
3	507197001	R lever
4	000107307	Setscrew 3x8 (B)
5	000081005	Setscrew 4x8
6	507066000	Zigzag width rod
7	000002507	Snap ring E-4
8	000002105	Snap ring E-3
9	507047005	BH converter rod
10	507200A01	Pattern selector dial
11	507200A04	Stitch length dial

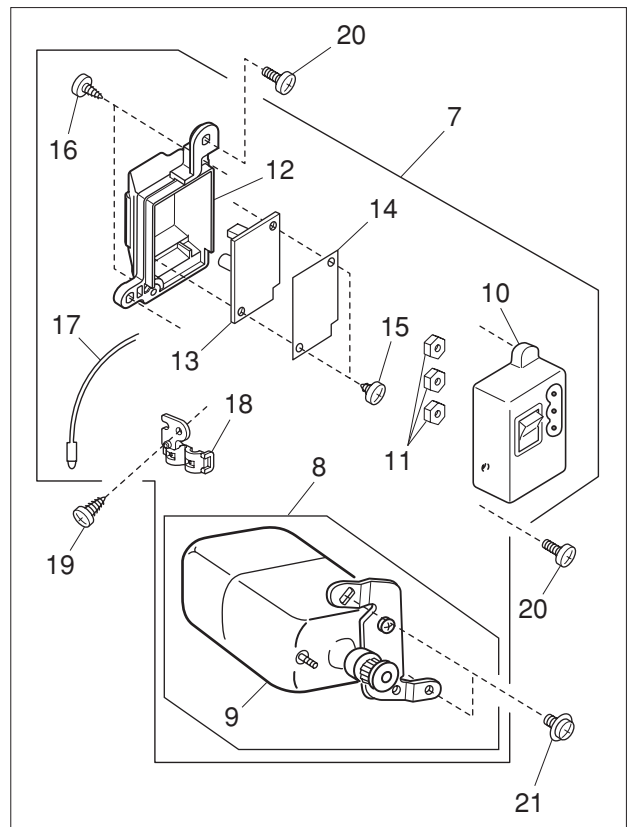
# PARTS LIST



7 (U.S.A.) (Canada)



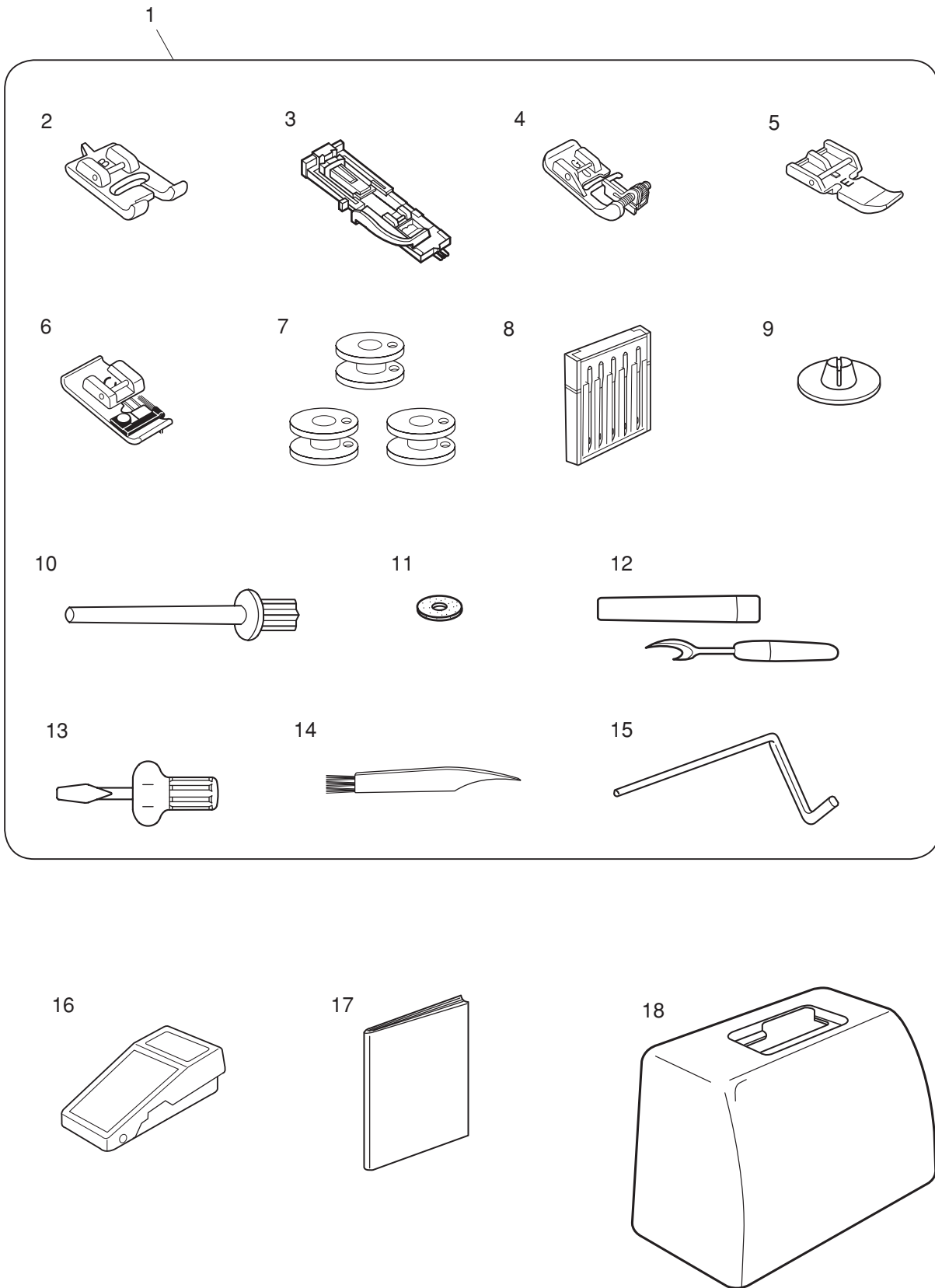
7 (UK) (Australia) (Continental Europe)



# PARTS LIST

KEY NO.	PARTS NO.	DESCRIPTION
1	753619003	Idler (unit)
2	753119008	Idler base
3	625217100	Idler
4	000002806	Snap ring E-6
5	000081005	Setscrew 4x8
6	507067001	Set plate
7	755648203	Machine socket (whole unit) (U.S.A.) (Canada)
	753678309	Machine socket (whole unit) (Australia) (UK)
	753678206	Machine socket (whole unit) (Continental Europe)
8	505623005	Motor (unit) (U.S.A.) (Canada)
	752671103	Motor (unit) (Australia) (UK)
	752671309	Motor (unit) (Continental Europe)
9	M-1073A	Motor (U.S.A.) (Canada)
	M-2088A	Motor (Australia) (UK)
	M-2086A-1	Motor (Continental Europe)
10	739505403	Machine socket (unit) (U.S.A.) (Canada)
	739503308	Machine socket (unit) (Australia) (UK) (Continental Europe)
11	000060802	Nut 3-1-5.5
12	505080004	Machine socket cover
13	508512009	Printed circuit board C (unit) (U.S.A.) (Canada)
	508512102	Printed circuit board C (unit) (Australia) (UK) (Continental Europe)
14	508134003	Insulating paper
15	000120203	Setscrew 3x8 (B)
16	000107802	Setscrew 3x10 (B)
17	508515105	LED (unit)
18	508143005	LED holder
19	000107307	Setscrew 3x8 (B)
20	000103509	Setscrew 4x10
21	000115504	Setscrew TP 5x10
22	000053008	Cord binder

# PARTS LIST



## PARTS LIST

KEY NO.	PARTS NO.	DESCRIPTION
1	507870120	Standard accessories (unit)
2	820801016	Buttonhole foot (unit)
3	753801004	Automatic buttonhole foot (unit)
4	820817015	Blind hemming foot (unit)
5	808852003	Zipper foot (unit)
6	822801001	Overedge foot (unit)
7	102261103	Bobbin (unit)
8	540401026	Needle set (unit)
9	822019509	Spool holder (small)
10	625031500	Extra spool pin
11	102403109	Felt cushion
12	647808009	Seam ripper (buttonhole opener)
13	820832005	Screwdriver
14	802424004	Lint brush
15	802422002	Quilting guide
16	C-1028	Foot control (unit) (U.S.A.) (Canada)
	C-2098	Foot control (unit) (Australia)
	C-2097	Foot control (unit) (UK)
	C-2096	Foot control (unit) (Continental Europe)
17	507850607	Instruction book (English)
	507850515	Instruction book (French)
	507850504	Instruction book (German)
	507850526	Instruction book (Dutch)
18	479713205	Cover