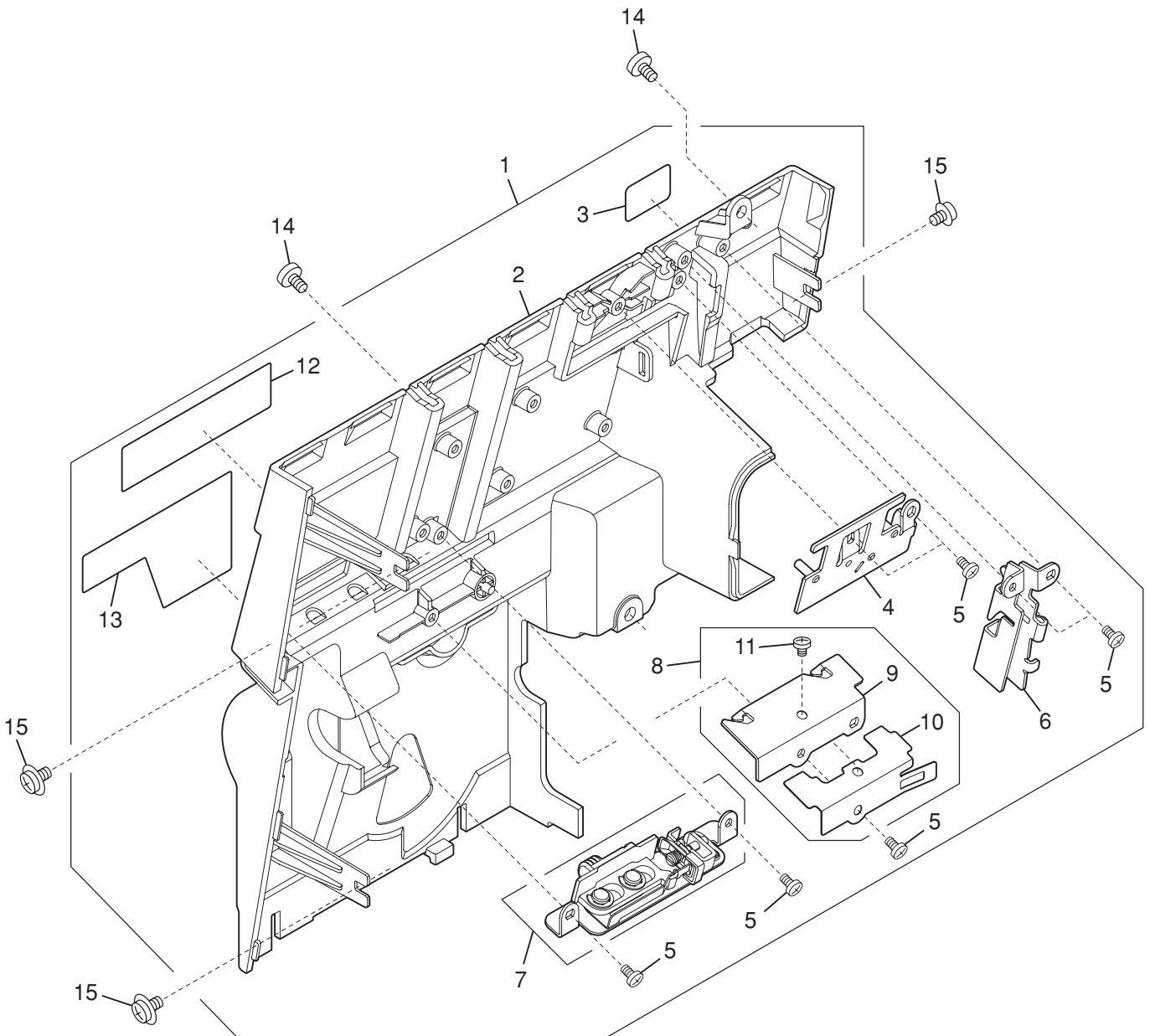


PARTS LIST

MODEL: AirThread 2000D
(Continental Europe)
(UK)
(Australia)

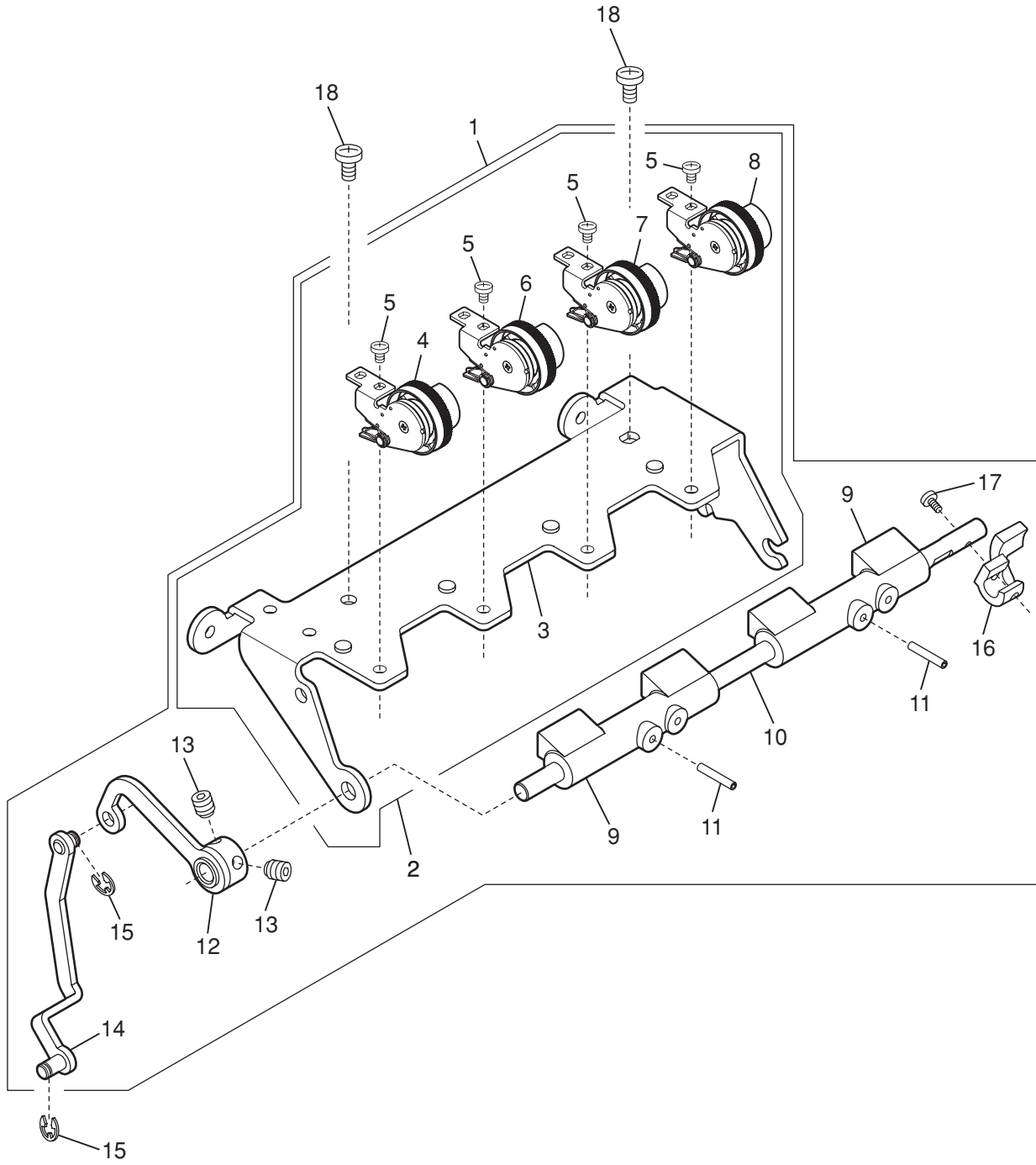
PARTS LIST



PARTS LIST

KEY NO.	PARTS NO.	DESCRIPTION
1	799635100	Front cover (unit) (Continental Europe)
	799635007	Front cover (unit) (UK) (Australia)
2	799180A01	Front cover
3	888262008	Sticker (Continental Europe)
	888261007	Sticker (UK) (Australia)
4	799181003	Thread guide plate
5	000120203	Setscrew 3x8 (B)
6	799182004	Thread take-up lever cover
7	799636008	Pre-tension (unit)
8	799637009	Looper thread guide (unit)
9	799186008	Looper thread guide
10	799187009	Limit plate
11	000097406	Setscrew 3x3
12	101623A01	Sticker
13	101624A01	Sticker
14	000081005	Setscrew 4x8
15	000115205	Setscrew TP 4x6

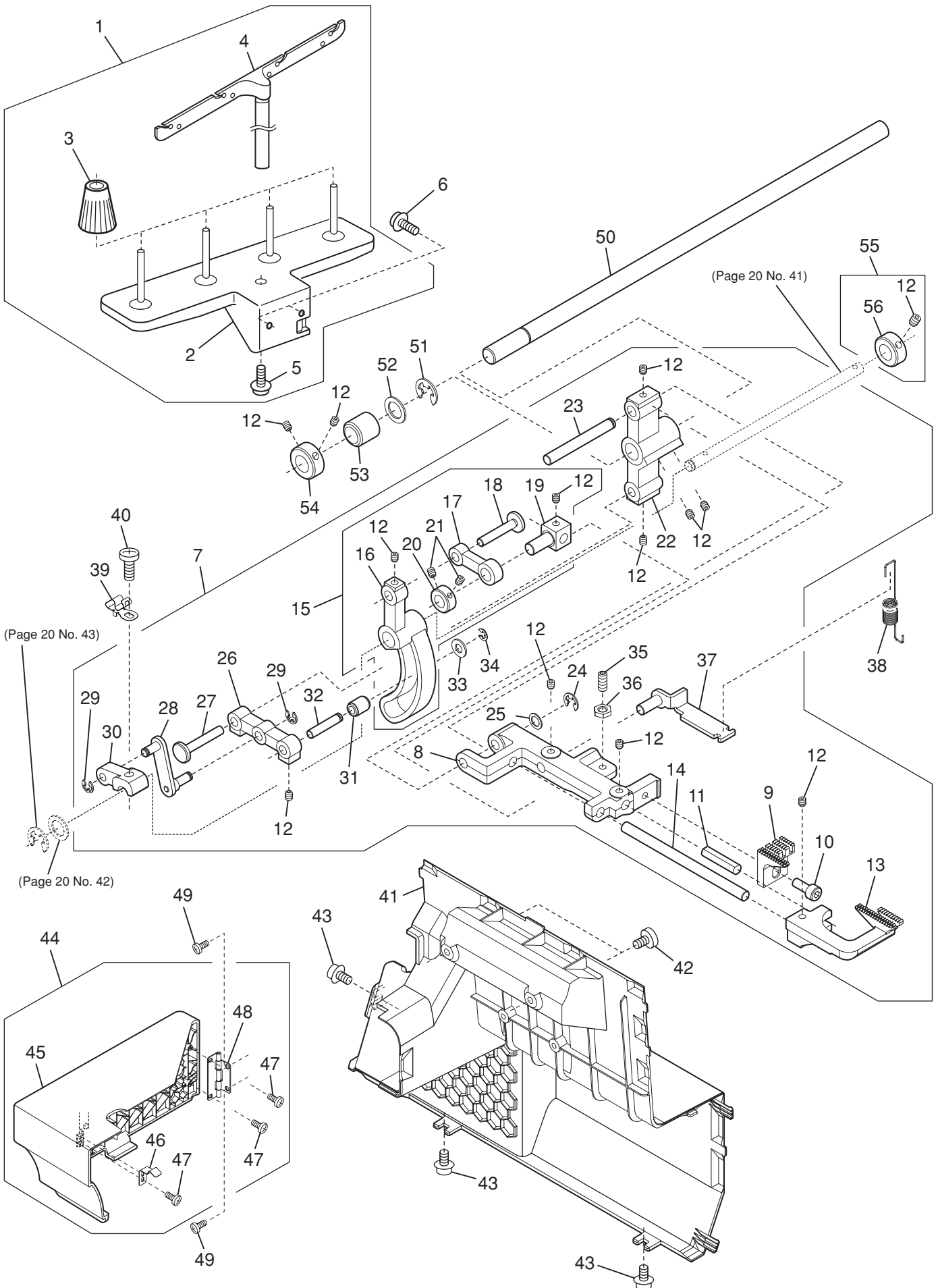
PARTS LIST



PARTS LIST

KEY NO.	PARTS NO.	DESCRIPTION
1	799621000	Thread tension (whole unit)
2	799522000	Thread tension (unit)
3	799104002	Thread tension set plate
4	799519004	Left needle thread tension dial (unit)
5	000101404	Setscrew 4x6
6	788504002	Right needle thread tension dial (unit)
7	799505007	Upper looper thread tension dial (unit)
8	799506008	Lower looper thread tension dial (unit)
9	799107005	Thread tension release cam
10	799108006	Thread tension release shaft
11	000022802	Spring pin 2x12
12	799109007	Thread tension release lever
13	000111201	Hexagonal socket screw 4x4
14	799110001	Thread tension release link
15	000002105	Snap ring E-3
16	799111002	Presser foot lifter switch cam
17	000128108	Setscrew 2.5x10
18	000081005	Setscrew 4x8

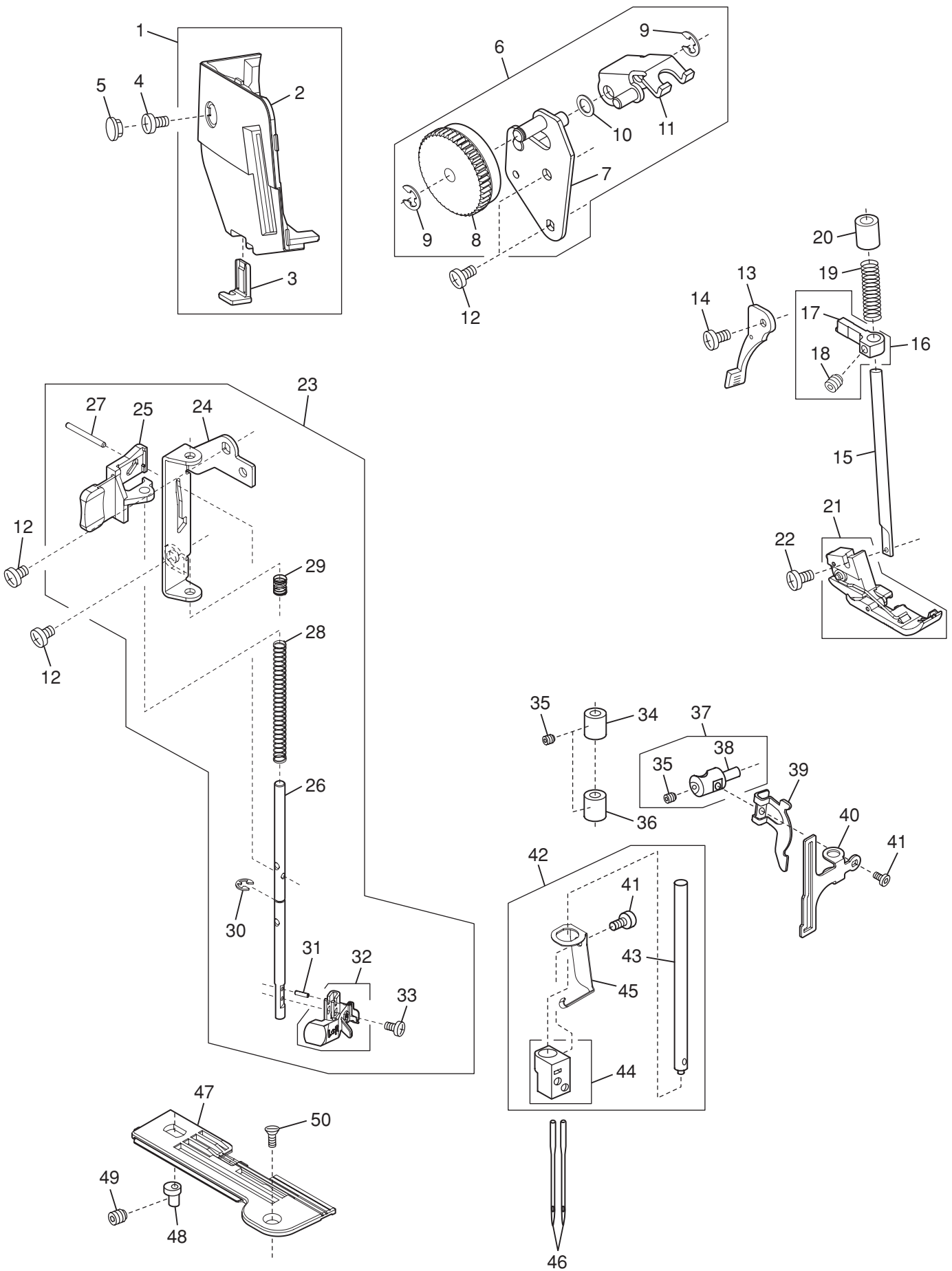
PARTS LIST



PARTS LIST

KEY NO.	PARTS NO.	DESCRIPTION
1	789606008	Spool stand (unit)
2	777011003	Spool stand
3	784223105	Spool holder
4	789607009	Thread guide bar (unit)
5	000115700	Setscrew TP 4x10
6	000198604	Setscrew 4x14
7	799609002	Feed base (unit)
8	799035001	Feed base
9	799036002	Main feed dog
10	000083409	Hexagonal socket bolt 4x10
11	797156014	Guide pin
12	000111201	Hexagonal socket screw 4x4
13	799037003	Sub feed dog
14	797157004	Feed bar
15	799610006	Sub feed drive arm (unit)
16	799038004	Sub feed drive arm
17	797159006	Feed bar link
18	797161104	Looper rod pin
19	797158005	Feed bar bracket
20	797160000	Ring 6
21	000111005	Hexagonal socket screw 3x3
22	797165005	Feed arm (L)
23	797164004	Feed arm shaft
24	000002507	Snap ring E-4
25	000036603	Washer FT50
26	797166006	FR rod
27	797161001	Looper rod pin
28	797167007	DF rod
29	000002105	Snap ring E-3
30	797168008	DF arm
31	799039005	Sub feed drive arm roller
32	797169009	Pin
33	000070908	Washer 4
34	000001207	Snap ring E-2.5
35	000112109	Hexagonal socket screw 4x10
36	000160102	Adjustable lock nut 4
37	799040009	Feed rock adjusting plate
38	799041000	Feed base spring
39	799216008	Differential limit spring
40	000103509	Setscrew 4x10
41	799188A01	Rear cover
42	000081005	Setscrew 4x8
43	000115607	Setscrew TP 4x8
44	799639104	Side cover (unit)
45	799191006	Side cover
46	787163002	Side cover spring
47	000161206	Setscrew 3x10 (B)
48	843545009	Hinge (unit)
49	000128304	Setscrew 4x8
50	799034000	Feed rock shaft
51	000002909	Snap ring E-7
52	000036201	Washer FT80
53	797035005	Main shaft bushing
54	792048006	Looper shaft ring
55	799656004	Ring 7 (unit)
56	797173006	Ring 7

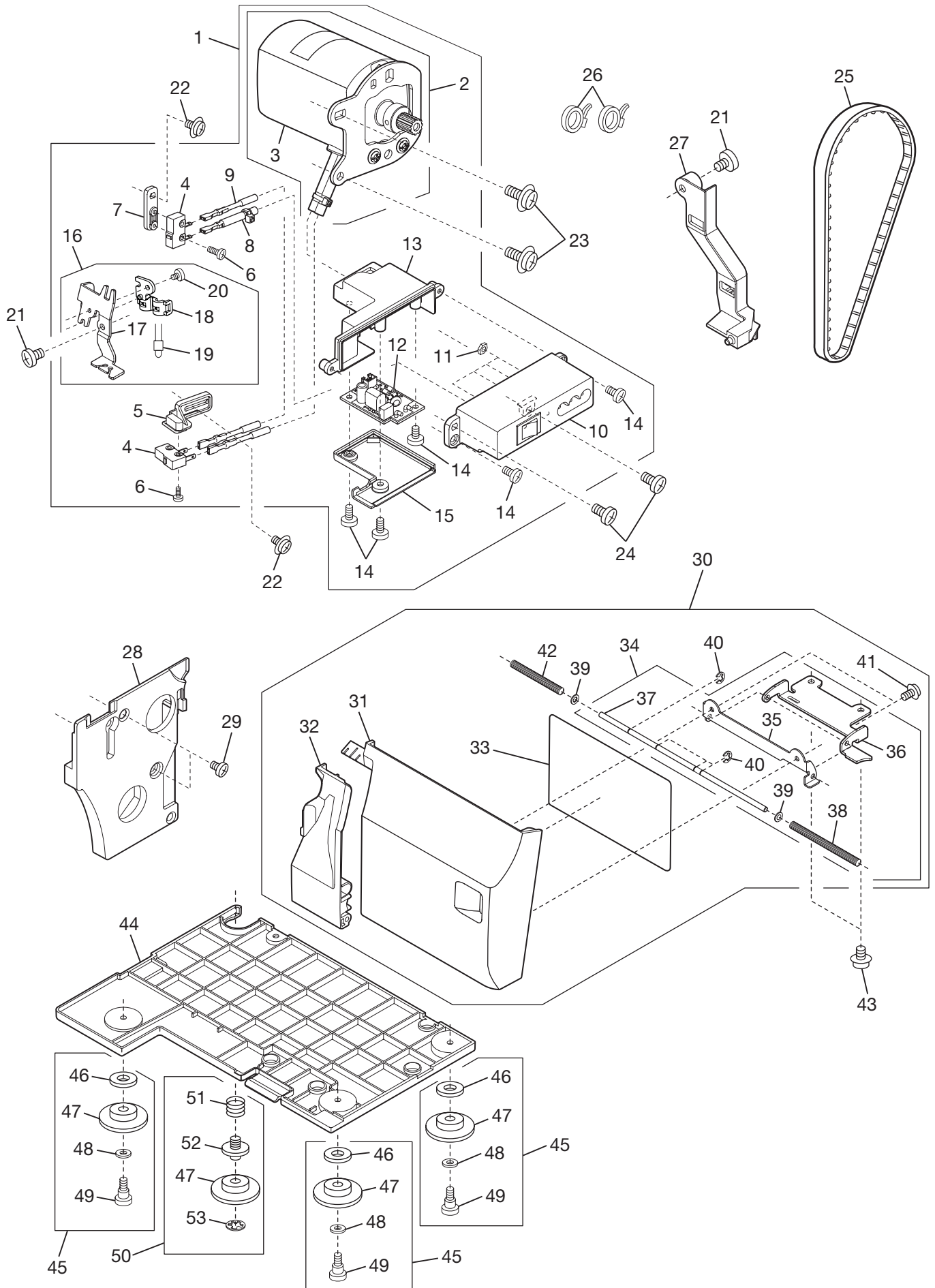
PARTS LIST



PARTS LIST

KEY NO.	PARTS NO.	DESCRIPTION
1	799642100	Face plate (unit)
2	799202001	Face plate
3	840602006	Thread cutter (unit)
4	000081005	Setscrew 4x8
5	745033002	Cap
6	799604007	Pressure adjusting dial base (unit)
7	799013003	Pressure adjusting dial base
8	798010A01	Pressure adjusting dial
9	000001609	Snap ring E-5
10	000036500	Washer FT60
11	799014004	Pressure adjusting lever
12	000101404	Setscrew 4x6
13	650032015	Presser foot lifter
14	810431009	Hinge screw
15	787019105	Presser bar
16	799653001	Presser bar supporter (unit)
17	724118007	Presser bar supporter
18	000111304	Hexagonal socket screw 5x5
19	799207006	Presser bar spring
20	777002001	Presser bar bushing (upper)
21	799516001	Presser foot (unit)
22	660106001	Setscrew
23	799630002	Needle threader (unit)
24	799164000	Threader shaft guide plate
25	799165001	Threader lever
26	799166002	Threader shaft
27	000125002	Guide pin E-2x20-CH
28	799167003	Threader shaft spring
29	799217009	Threader lever spring
30	000002105	Snap ring E-3
31	000023906	Spring pin 1.6x5.5
32	799631003	Needle threader plate (unit)
33	000163703	Setscrew 2x3.5
34	784027004	Needle bar upper bushing
35	000111201	Hexagonal socket screw 4x4
36	784028005	Needle bar lower bushing
37	799652000	Needle bar stud (unit)
38	784024001	Needle bar stud
39	788004007	Thread take-up lever
40	799010000	Threader positioning plate
41	000078320	Setscrew 3x6
42	792601302	Needle bar (unit)
43	792001007	Needle bar
44	792501002	Needle clamp (unit)
45	799012002	Needle bar thread guide
46	784157015	Needle
47	799601004	Needle plate (unit)
48	789100007	Eccentric pin
49	000111902	Hexagonal socket screw 3x4
50	681009101	Plain head screw

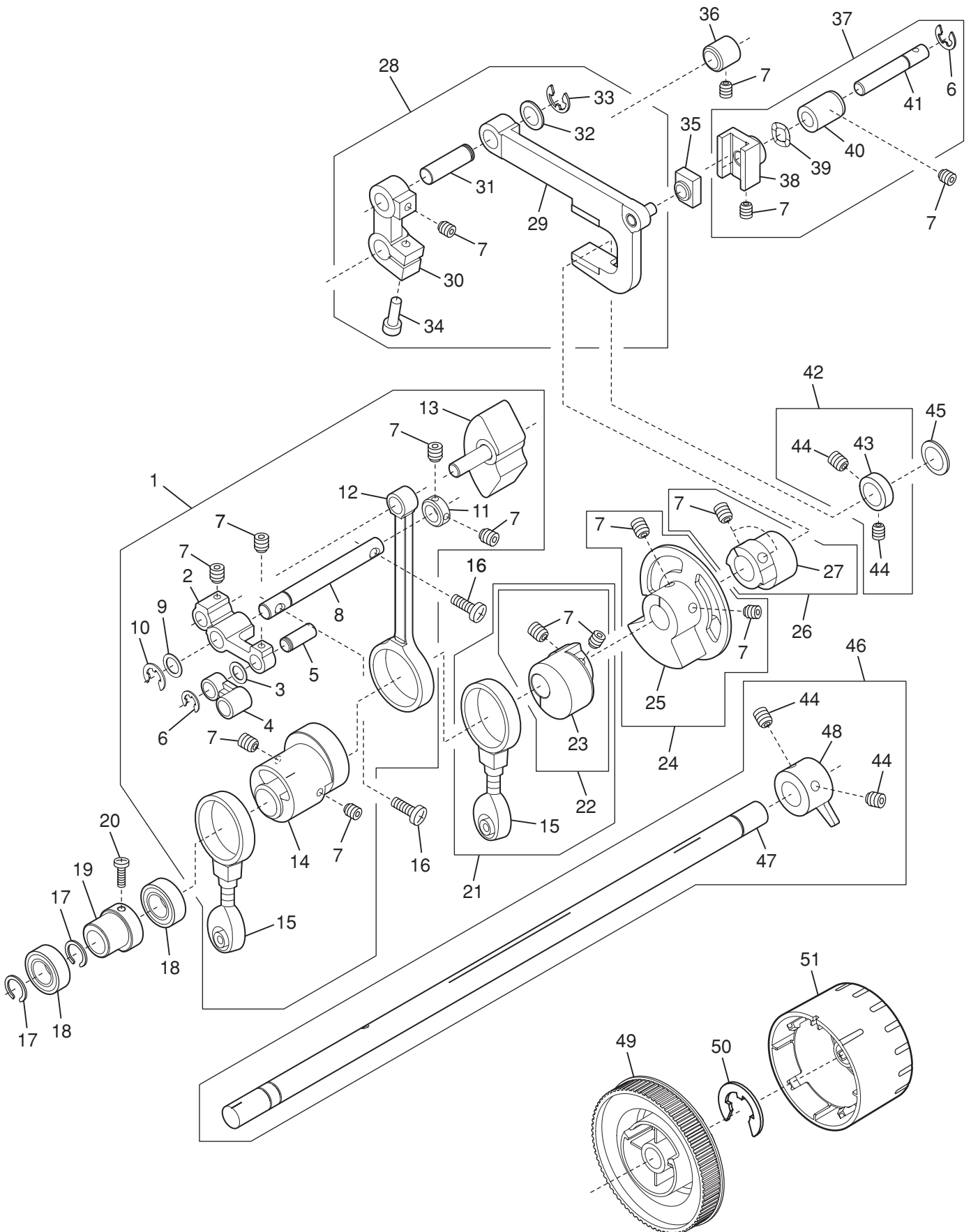
PARTS LIST



PARTS LIST

KEY NO.	PARTS NO.	DESCRIPTION
1	799643101	Machine socket (whole unit) (Continental Europe)
	799643204	Machine socket (whole unit) (UK) (Australia)
2	799634109	Motor (unit) (Continental Europe)
	799634202	Motor (unit) (UK) (Australia)
3	799511006	Motor (Continental Europe)
	799512007	Motor (UK) (Australia)
4	798502001	Micro switch (unit)
5	799176005	Switch set plate 1
6	000225209	Setscrew 2.3x12 (B)
7	799177006	Switch set plate 2
8	799513008	Relay cable RF (unit)
9	799514009	Relay cable FF (unit)
10	799520008	Machine socket (unit)
11	000060802	Nut 3-1-5.5
12	508512504	Printed circuit board C (unit)
13	799179008	Machine socket cover
14	000120203	Setscrew 3x8 (B)
15	799206005	Printed circuit board C case cover
16	799644009	Needle thread guide (unit)
17	799173002	Needle thread guide
18	508143005	LED holder
19	508515703	LED (unit)
20	000101105	Setscrew 3x4
21	000101404	Setscrew 4x6
22	000114709	Setscrew TP 3x6
23	000115504	Setscrew TP 5x10
24	000081005	Setscrew 4x8
25	000279002	Syncro belt B107XXL
26	000053008	Cord binder
27	799174003	Cord guide
28	799193A01	Looper cover guide
29	000078320	Setscrew 3x6
30	799640108	Looper cover (unit)
31	799194A01	Looper cover
32	799199004	Auxiliary looper cover
33	100625A01	Sticker
34	799641006	Looper cover hinge (unit)
35	799195000	Looper cover support plate
36	799196001	Looper cover hinge
37	799197002	Looper cover shaft
38	799198003	Looper cover spring
39	000129903	Washer 4
40	000002105	Snap ring E-3
41	000149301	Setscrew 3x8 (B)
42	799200009	Auxiliary looper cover spring
43	000115205	Setscrew TP 4x6
44	799201000	Base plate
45	784634000	Rubber foot (unit)
46	785260004	Washer
47	784135006	Rubber foot
48	000070300	Washer 5
49	784169009	Setscrew
50	799659007	Rubber foot (unit)
51	820351005	Spring
52	820350107	Adjusting screw
53	000014007	Snap ring CS-4

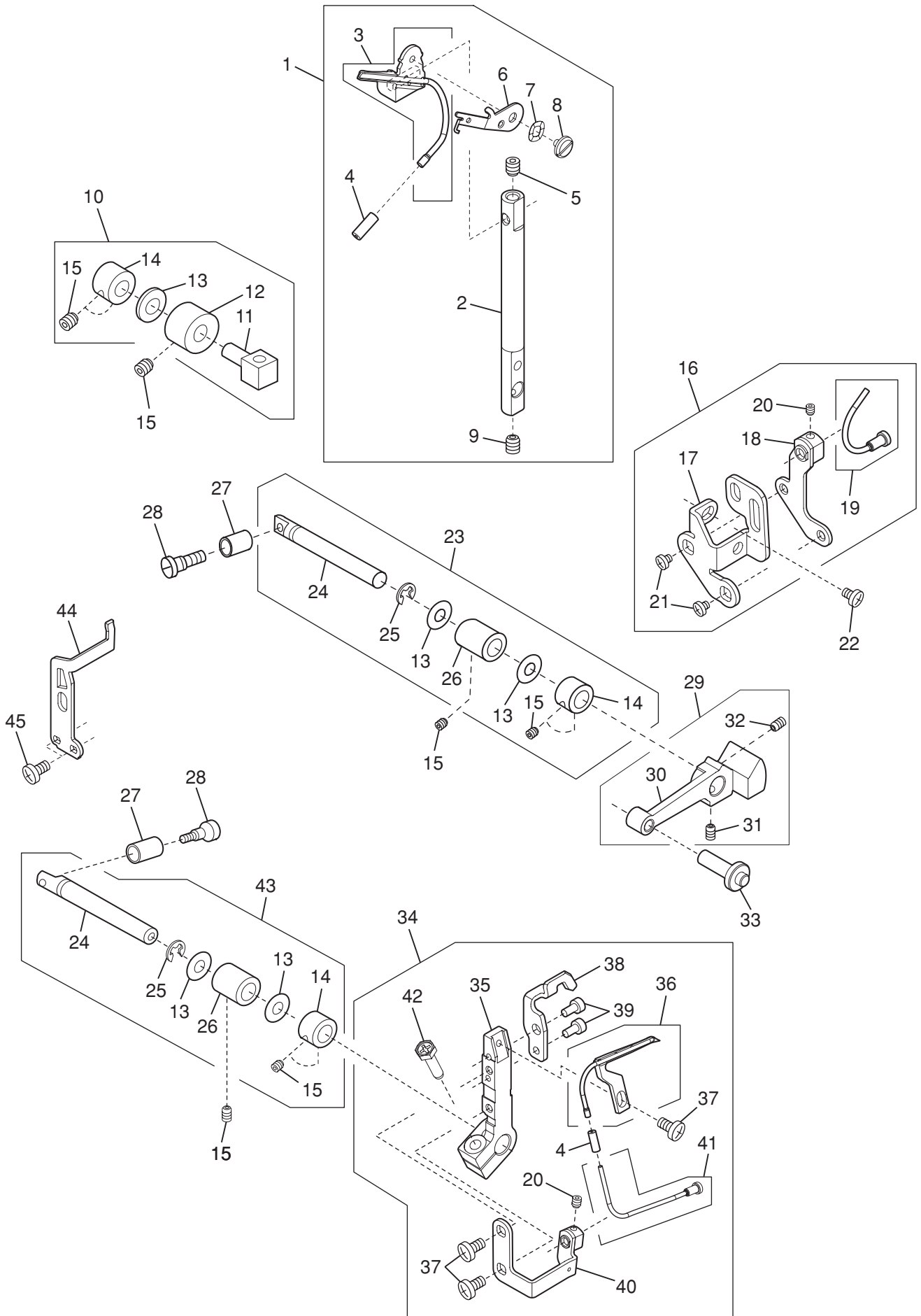
PARTS LIST



PARTS LIST

KEY NO.	PARTS NO.	DESCRIPTION
1	799602005	Needle bar crank (unit)
2	789104001	Needle bar crank
3	000039905	Washer
4	789007003	Needle bar link
5	784022009	Link pin
6	000001609	Snap ring E-5
7	000111201	Hexagonal socket screw 4x4
8	799004001	Needle bar crank shaft
9	000038502	Washer
10	000002909	Snap ring E-7
11	792048006	Looper shaft ring
12	793120006	Needle bar crank rod
13	799005002	Needle bar balancer
14	799009006	Needle bar cam
15	792951001	Looper cam ring
16	000093309	Setscrew 4x14
17	000032609	Snap ring crescent
18	000208505	Bearing
19	799011001	Feed lifting cam
20	000106502	Setscrew 3x16
21	799650008	Upper looper cam (whole unit)
22	799651009	Upper looper cam (unit)
23	787004107	Upper looper cam
24	799649004	Main shaft fixing plate (unit)
25	799008005	Main shaft fixing plate
26	799648003	Feed cam (unit)
27	799007004	Feed cam
28	799611007	Feed fork (unit)
29	799042001	Feed fork
30	797178001	Feed arm (R)
31	799043002	Link pin
32	000036108	Washer FT70
33	000002806	Snap ring E-6
34	000201623	Hexagonal socket bolt 4x12
35	797176009	Slide block
36	797035005	Main shaft bushing
37	799608001	Feed regulator (unit)
38	799032008	Feed regulator
39	000116206	Spring washer 6
40	625144002	Feed shaft bushing (front)
41	799033009	Feed regulator shaft
42	799647002	Ring (unit)
43	639095000	Ring
44	000111304	Hexagonal socket screw 5x5
45	000038605	Washer
46	799603006	Main shaft (unit)
47	799006003	Main shaft
48	792041021	Balance weight
49	799060005	Belt wheel
50	000002208	Snap ring E-9
51	799061006	Handwheel

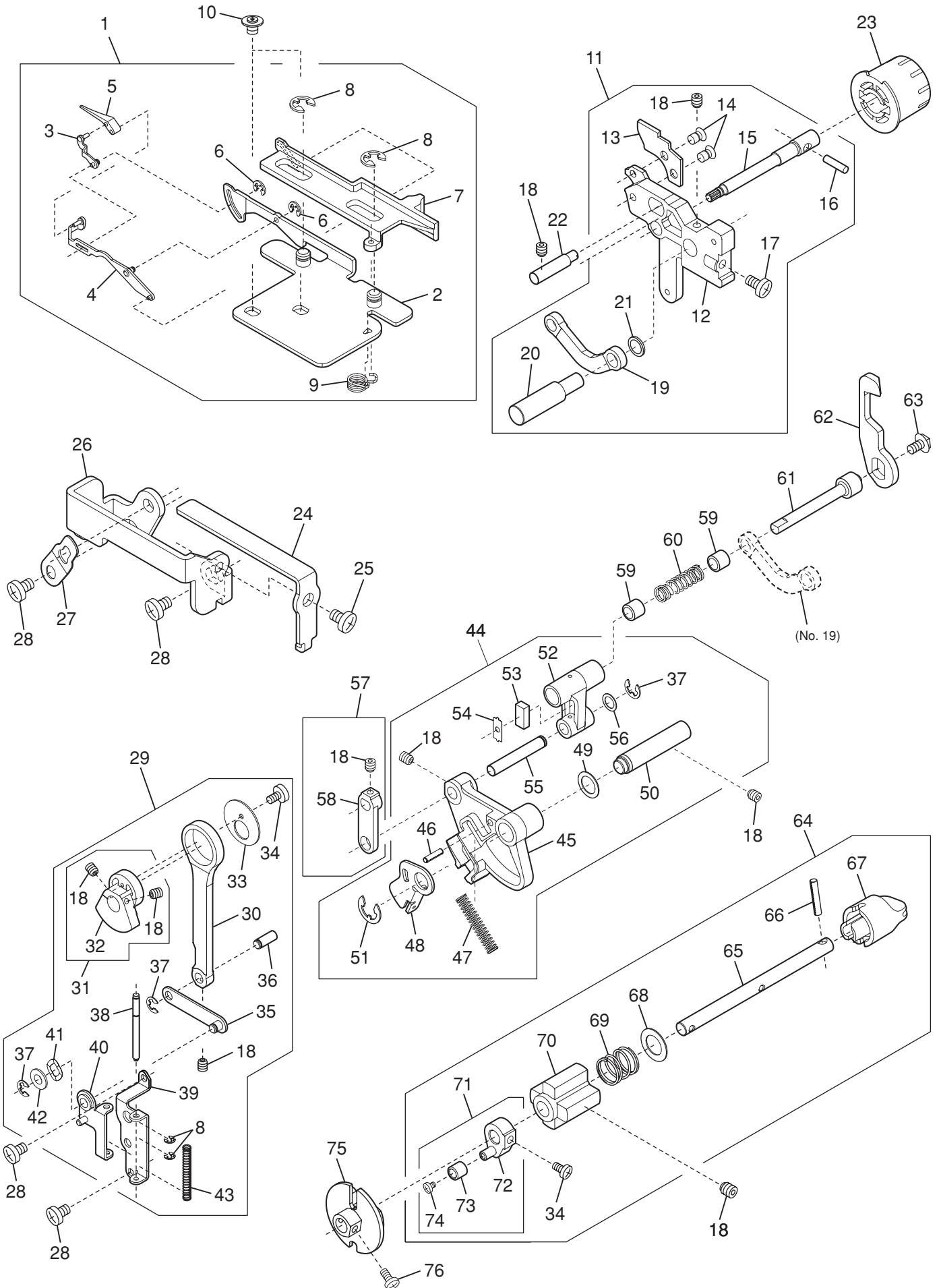
PARTS LIST



PARTS LIST

KEY NO.	PARTS NO.	DESCRIPTION
1	799605008	Upper looper shaft (unit)
2	799015005	Upper looper shaft
3	799501003	Upper looper (unit)
4	799410004	Tube1x3(L=8) (50/pack)
5	000112501	Hexagonal socket screw 4x4
6	799018008	Spreader
7	000116103	Spring washer 4
8	799019009	Spreader setscrew
9	000177205	Hexagonal socket screw 3x6
10	792614009	Upper looper shaft guide (unit)
11	792038003	Upper looper shaft guide
12	792039004	Bushing
13	000038502	Washer
14	792048006	Looper shaft ring
15	000111201	Hexagonal socket screw 4x4
16	799606009	Looper thread take-up lever (unit)
17	799022005	Looper thread take-up lever
18	799023006	Upper looper connecting pipe set plate
19	799502004	Upper looper connecting pipe (unit)
20	000111902	Hexagonal socket screw 3x4
21	000101105	Setscrew 3x4
22	000078009	Setscrew 3.5x6
23	792633004	Upper looper crank shaft (unit)
24	787105006	Upper looper crank shaft
25	000002806	Snap ring E-6
26	787104005	Bushing
27	787107101	Crank spacer
28	787108009	Crank setscrew
29	799654002	Upper looper driving arm (unit)
30	799020003	Upper looper driving arm
31	000111304	Hexagonal socket screw 5x5
32	000110107	Hexagonal socket screw 5x5 (WP)
33	799021004	Upper looper pin
34	799607000	Lower looper base (unit)
35	799026009	Lower looper base
36	799503005	Lower looper (unit)
37	000078320	Setscrew 3x6
38	799029002	Needle guard (rear)
39	000084503	Hexagonal socket bolt 3x6
40	799030006	Lower looper connecting pipe arm
41	799504006	Lower looper connecting pipe (unit)
42	000138008	Bolt 4x16
43	792636007	Lower looper crank shaft (unit)
44	799064009	Needle guard (front)
45	000081005	Setscrew 4x8

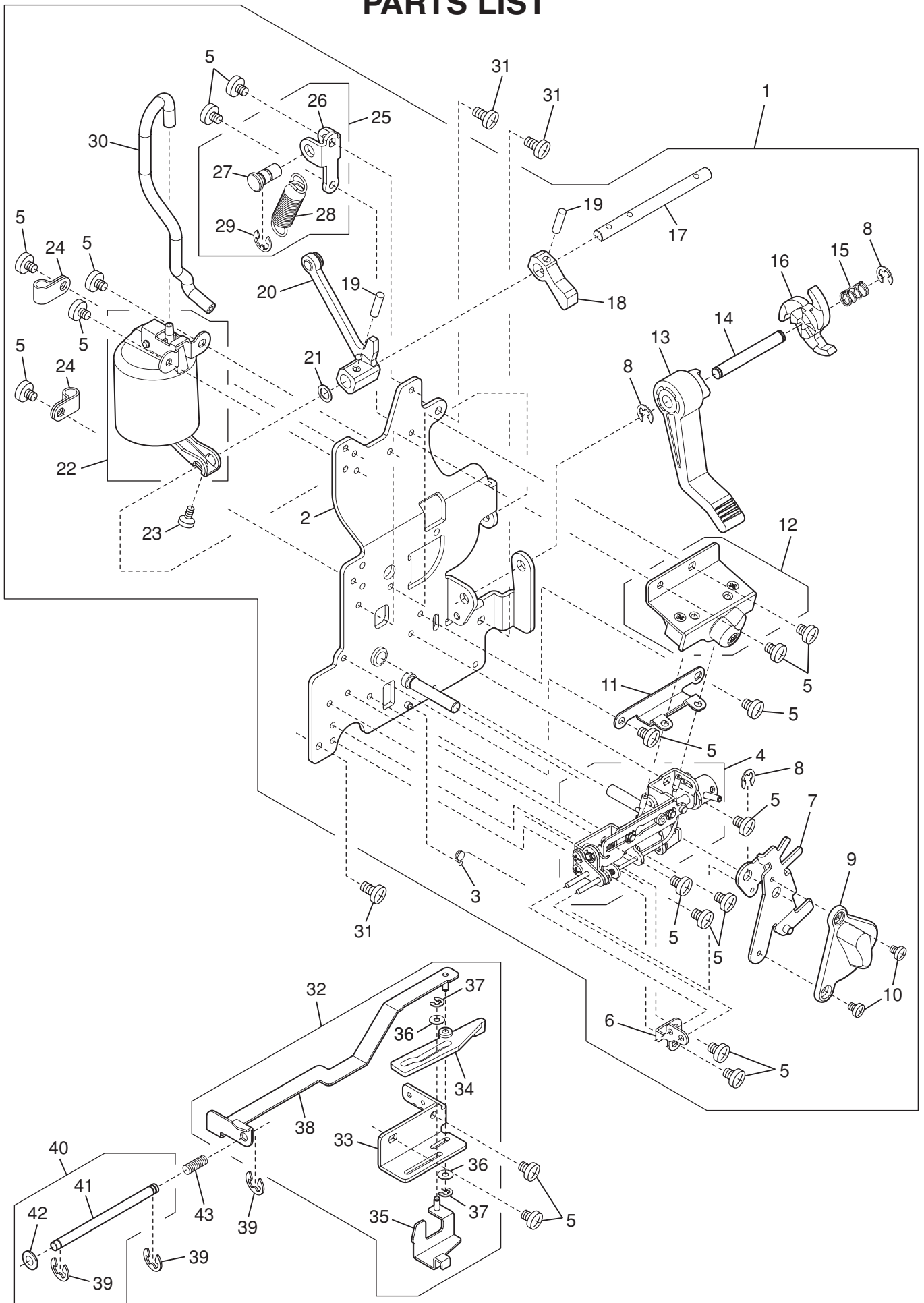
PARTS LIST



PARTS LIST

KEY NO.	PARTS NO.	DESCRIPTION
1	799620009	Chaining finger (unit)
2	799098002	Chaining finger set plate
3	799211003	Chaining finger pin
4	799099003	Chaining finger support plate
5	799100008	Chaining finger
6	000030102	Snap ring E-1.2
7	799102000	Chaining finger switch knob
8	000002105	Snap ring E-3
9	799103001	Spring
10	000193104	Thin-head setscrew TP 3x4
11	799616002	Lower knife bracket (unit)
12	799077005	Lower knife bracket
13	788013009	Lower knife
14	000102221	Setscrew 4x6
15	799078006	Cutting width adjusting shaft
16	000133807	Spring pin 3x12
17	000081005	Setscrew 4x8
18	000111201	Hexagonal socket screw 4x4
19	799072000	Upper knife rod support arm
20	799076004	Upper knife rod support shaft
21	000039905	Washer
22	794027108	Lower knife bracket shaft
23	799192007	Cutting width adjusting dial
24	799210002	Spring
25	000101105	Setscrew 3x4
26	799097001	Side cover spring support plate
27	799215007	Cutting width adjusting stopper
28	000101404	Setscrew 4x6
29	799619005	Upper knife rod (unit)
30	799091005	Upper knife rod
31	799658006	Upper knife drive cam (unit)
32	799093007	Upper knife drive cam
33	799094008	Upper knife rod limit plate
34	000066705	Setscrew 3x8
35	799090004	Upper knife rod support arm
36	799092006	Upper knife rod pin
37	000001609	Snap ring E-5
38	799089000	Upper knife rod support shaft
39	799086007	Upper knife drive shaft support plate
40	799087008	Upper knife rod support plate
41	000116206	Spring washer 6
42	000070609	Washer 6
43	799088009	Spring
44	799615001	Upper knife drive arm (unit)
45	799065000	Upper knife drive arm
46	000005407	Spring pin 3x12
47	799066001	Spring
48	799067002	Upper knife release plate
49	000038801	Washer
50	799068003	Upper knife drive shaft
51	000030205	Snap ring E-8
52	799069004	Upper knife drive arm
53	799213005	Felt
54	799214006	Felt holder
55	799070008	Upper knife drive arm shaft
56	000038409	Washer
57	799660001	Upper knife support plate (unit)
58	799075003	Upper knife support plate
59	799073001	Upper knife supporter bushing
60	799074002	Spring
61	799071009	Upper knife supporter
62	799096000	Upper knife
63	000253608	Hexagonal setscrew TP 4x8
64	799617003	Upper knife release shaft (unit)
65	799080001	Upper knife release shaft
66	000024103	Spring pin 3x16
67	799081002	Upper knife release knob
68	000039802	Washer FT90
69	799082003	Spring
70	799083004	Bushing
71	799618004	Upper knife release arm (unit)
72	799084005	Upper knife release arm
73	799085006	Upper knife release arm roller
74	000093804	Setscrew 2.5x3
75	799095009	Upper knife release cam
76	000080406	Setscrew 3x10

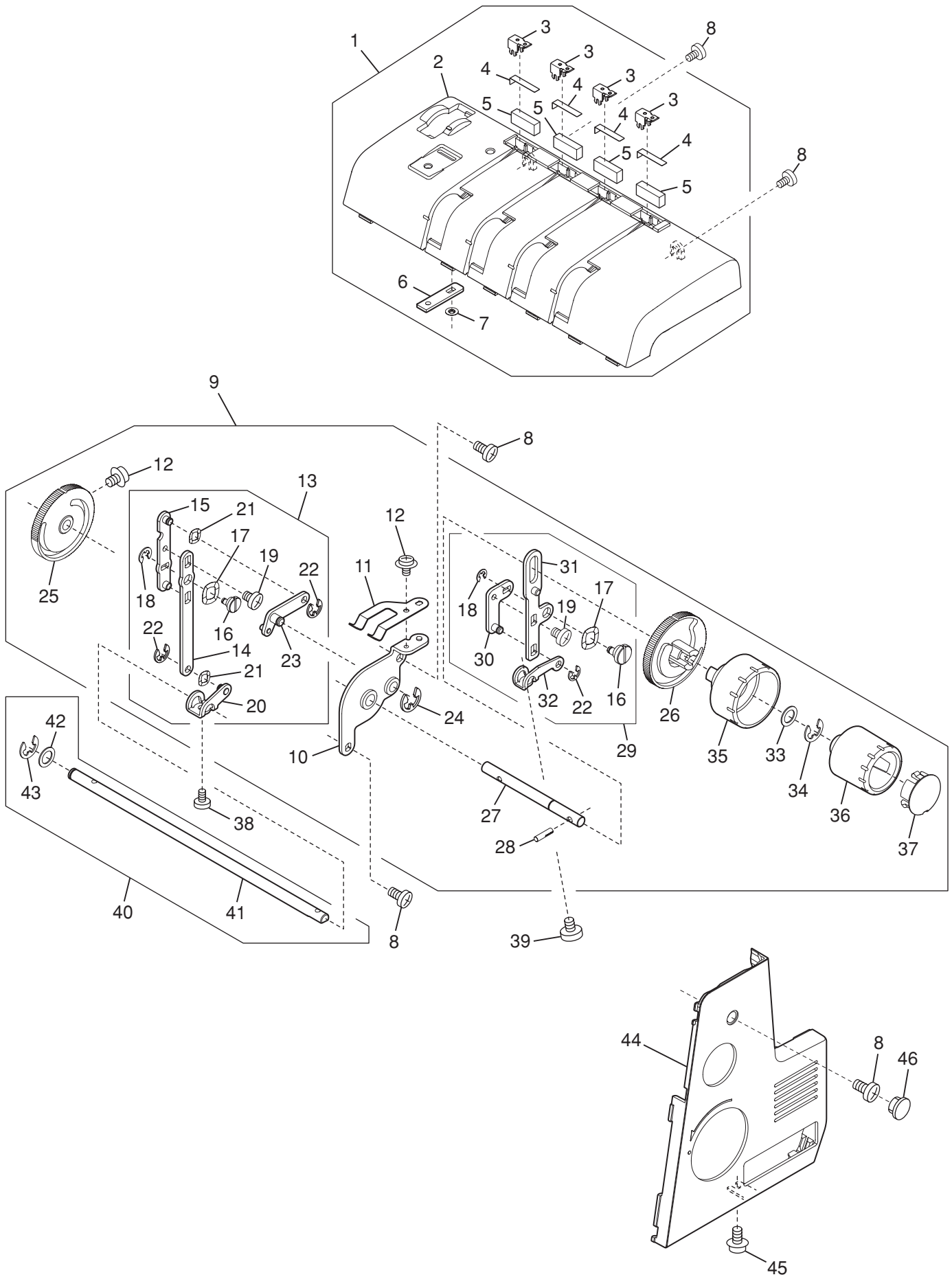
PARTS LIST



PARTS LIST

KEY NO.	PARTS NO.	DESCRIPTION
1	799622001	Looper threader (air) (unit)
2	799112003	Looper threader set plate
3	799120004	Spring
4	799623002	Slide plate supporter (unit)
5	000103705	Setscrew 4x5
6	799132009	Looper thread take-up lever guide
7	799153006	Looper threader connecting lever
8	000001609	Snap ring E-5
9	799159002	Looper threader switch lever
10	000097406	Setscrew 3x3
11	799131008	Pipe supporter
12	799626005	Threader hole plate (unit)
13	799155008	Looper threader lever
14	799158001	Looper threader lever shaft
15	799157000	Spring
16	799156009	Middle arm
17	799143003	Piston drive shaft
18	799141001	Piston return arm
19	000005407	Spring pin 3x12
20	799142002	Piston drive arm
21	000036108	Washer FT70
22	799627006	Tank (unit)
23	000104005	Setscrew 3.5x8
24	000188405	Nylon clip ACC-2
25	799628007	Piston drive spring set plate (unit)
26	799150003	Piston drive spring set plate
27	799151004	Piston drive spring pin
28	799152005	Piston drive spring
29	000002806	Snap ring E-6
30	000278104	Tube
31	000081005	Setscrew 4x8
32	799629008	Cover detecting base (unit)
33	799160006	Cover detecting base
34	799161007	Detecting lever
35	799162008	Looper cover detecting arm
36	000070104	Washer 3
37	000002301	Snap ring E-2
38	799163009	Side cover detecting rod
39	000002507	Snap ring E-4
40	799657005	Side cover detecting shaft (unit)
41	799062007	Side cover detecting shaft
42	000072003	Washer 5
43	799063008	Spring

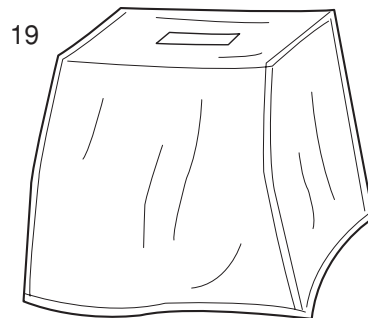
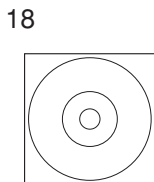
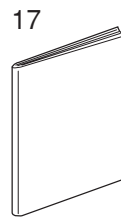
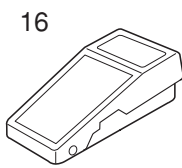
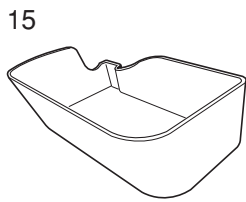
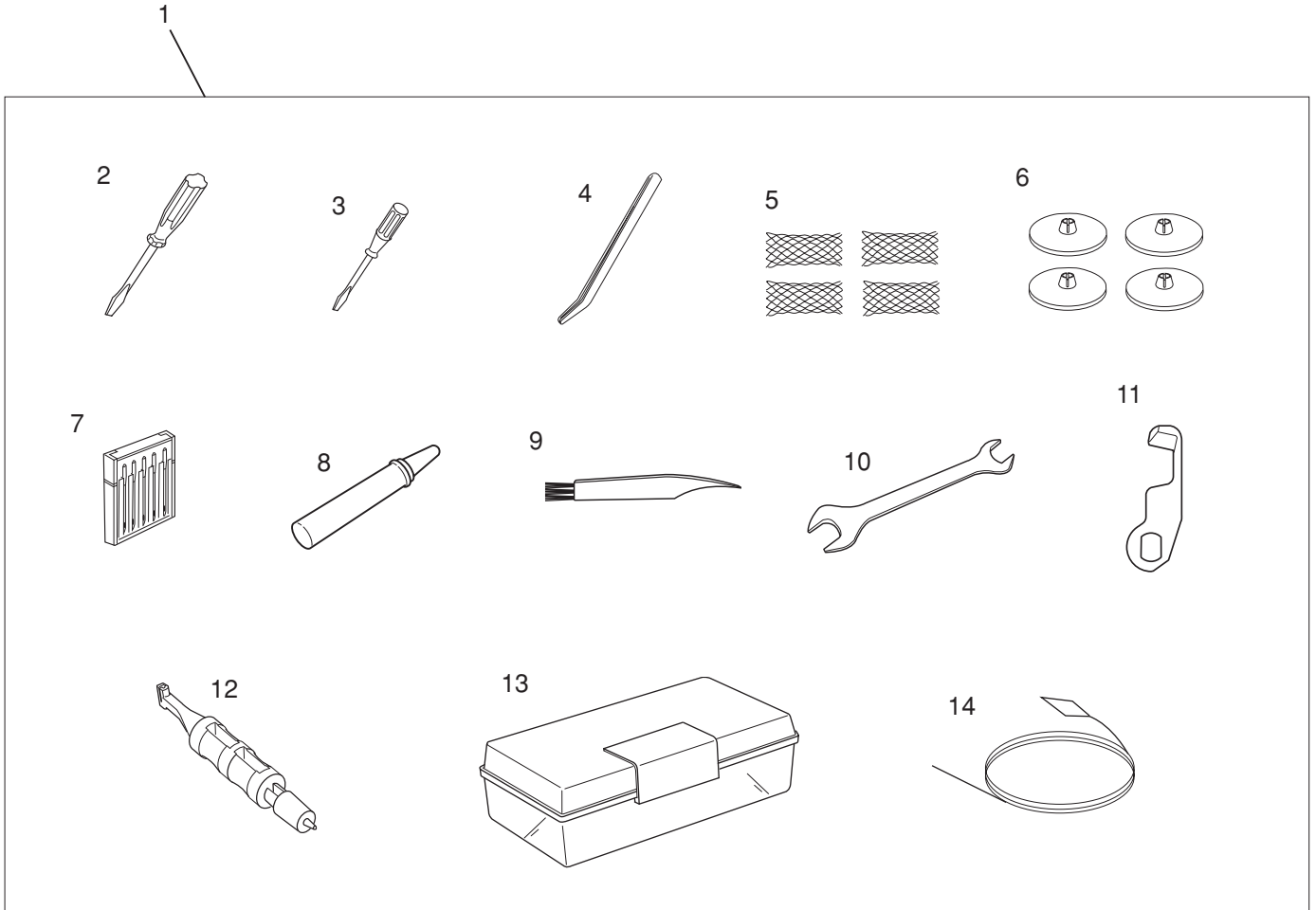
PARTS LIST



PARTS LIST

KEY NO.	PARTS NO.	DESCRIPTION
1	799638000	Top cover (unit)
2	799189A01	Top cover
3	797047103	Thread guide cover
4	797048012	Thread guide spring
5	797049002	Cushion
6	799190005	Nut
7	000014306	Snap ring CS-3
8	000081005	Setscrew 4x8
9	799612008	Adjusting dial (unit)
10	799045004	Adjusting dial set plate
11	799059001	Spring
12	000114709	Setscrew TP 3x6
13	799613009	Differential feed adjusting rod (unit)
14	799046005	Differential feed adjusting rod 1
15	799047006	Differential feed adjusting rod 2
16	799048007	Stitch length adjusting pin
17	000116206	Spring washer 6
18	000001207	Snap ring E-2.5
19	000103705	Setscrew 4x5
20	799049008	Differential feed adjusting arm
21	000116103	Spring washer 4
22	000002105	Snap ring E-3
23	799050002	Differential feed adjusting link
24	000002507	Snap ring E-4
25	799058000	Differential feed adjusting cam
26	799054006	Feed regulator cam
27	799051003	Adjusting dial shaft
28	000133807	Spring pin 3x12 (K)
29	799614000	Stitch length adjusting rod (unit)
30	799055007	Stitch length adjusting rod 1
31	799056008	Stitch length adjusting rod 2
32	799057009	Stitch length adjusting arm
33	000036500	Washer FT60
34	000001609	Snap ring E-5
35	799053A01	Stitch length dial
36	799052A01	Differential feed dial
37	787262172	Cap
38	000078320	Setscrew 3x6
39	000101404	Setscrew 4x6
40	799655003	Differential feed adjusting shaft (unit)
41	799044003	Differential feed adjusting shaft
42	000036108	Washer FT70
43	000002806	Snap ring E-6
44	799203A02	Belt cover
45	000115607	Setscrew TP 4x8
46	745033002	Cap

PARTS LIST



PARTS LIST

KEY NO.	PARTS NO.	DESCRIPTION
1	799870006	Standard accessories
2	784810002	Screwdriver (large)
3	647803004	Screwdriver (small)
4	624801001	Tweezers
5	624806006	Net
6	822020503	Spool holder cap (large)
7	784860100	Needle set (HAX1 SP#11) x 2 (HAX1 SP#14) x 3
8	741814003	Oil
9	802424004	Lint brush
10	799807002	Double-ended spanner
11	799096000	Upper knife
12	799802007	Needle holder/spreader pin
13	366401400	Accessory box
14	799803008	Looper threading wire (Looper threader)
15	799801A01	Waste chip box
16	C-2060	Foot control (Continental Europe)
	C-2085-1	Foot control (UK)
	C-2065	Foot control (Australia)
17	799800005	Instruction manual (English)
	799800016	Instruction manual (French)
	799800027	Instruction manual (German)
	799800038	Instruction manual (Dutch)
18	799804009	Instructional DVD
19	797608005	Cover