



JK-58420J/B 系列  
产品零件图册  
parts book

**JACK 杰克**

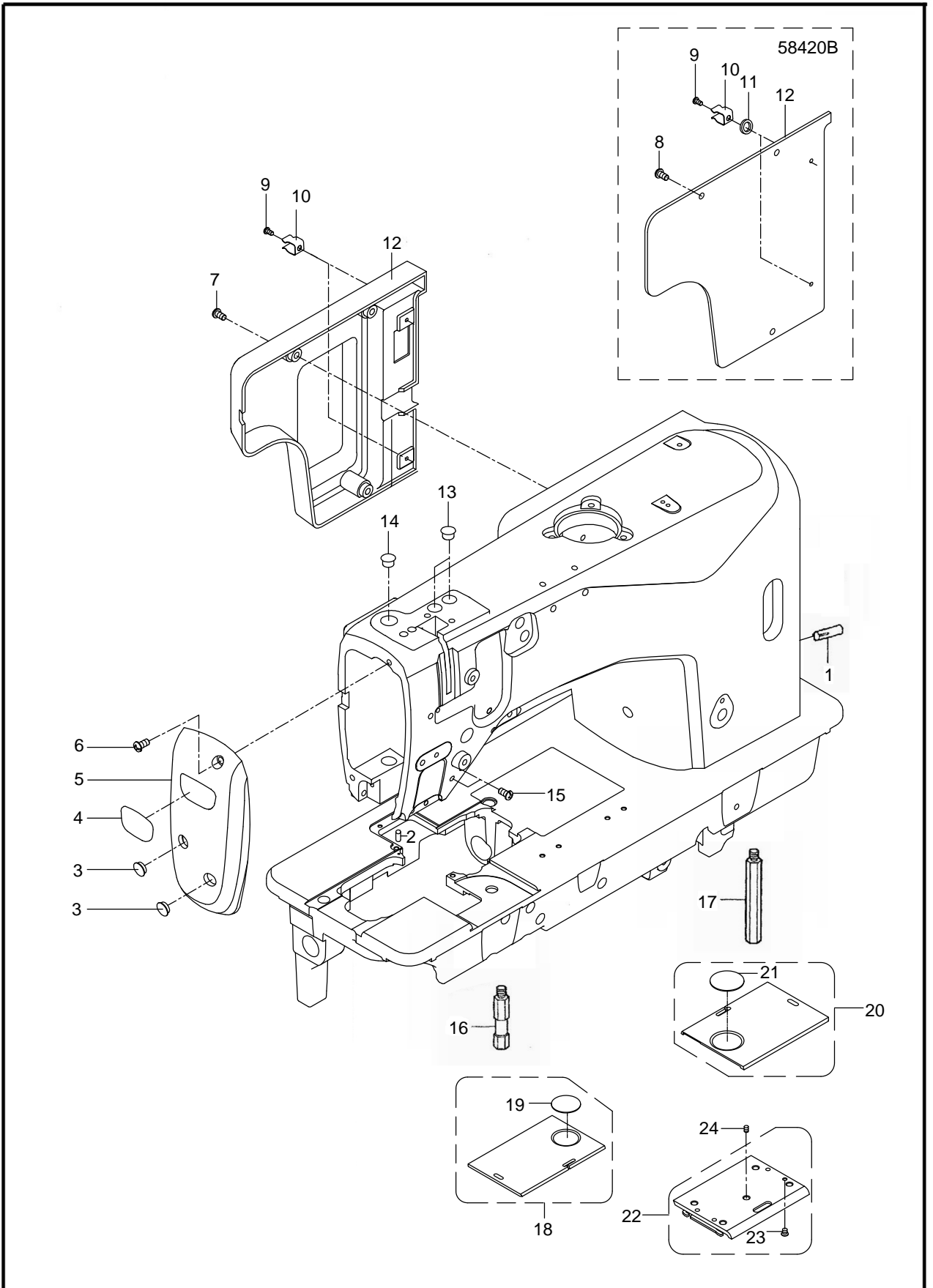
零件样本

PARTS BOOK

# 零件样本/Parts Book

A.机体部件/Machine body	1
B.上轴部件/Upper shaft mechanism	3
C1.针杆摆动部件/Needle bar rocking mechanism(58420、58720)	5
C2.针杆摆动部件/Needle bar rocking mechanism(58450、58750)	7
D.针杆切换部件/Needle bar flip-up mechanism(58450、58750)	9
E.压脚部件/Presser foot mechanism	11
F.送布部件/Feed mechanism	13
G.送布轴部件/Feed shaft mechanism	17
H.针位部件/Gauge parts	19
I.下轴部件/Lower shaft mechanism	19
J1.旋梭部件/Rotary hook mechanism(58□□0B)	21
J2.旋梭部件/Rotary hook mechanism(58□□0J)	25
K.供油润滑部件/Lubrication	29
L.穿线部件/Thread Mechanism	33
N.卷线部件/Bobbin Winder Mechanism	35
O.切线部件/Thread trimmer mechanism	37
P.扫线部件/Thread wiper mechanism	41
Q.倒缝部件/Quick reverse mechanism	43
R.电机与电控部件/Motor and Electronic control box mechanis	45
S.倒缝开关分部件/Quick reverse switch mechanism	47
T.自动抬压脚部件/Auto lifter components	49
Z.附件/Accessories	51
针位组零件/Gauge parts list	53

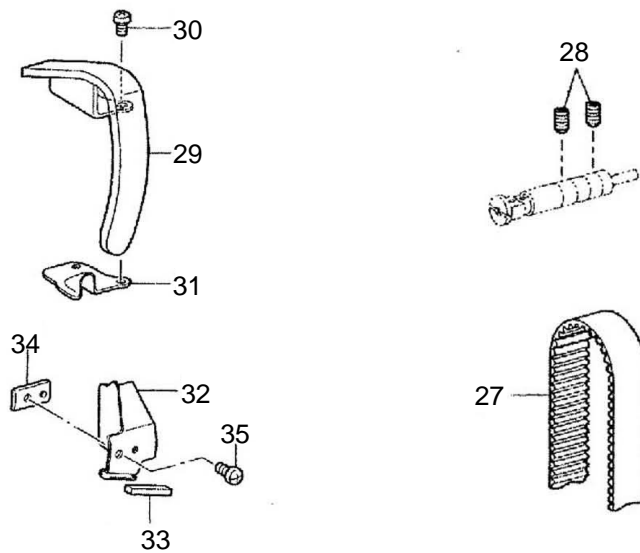
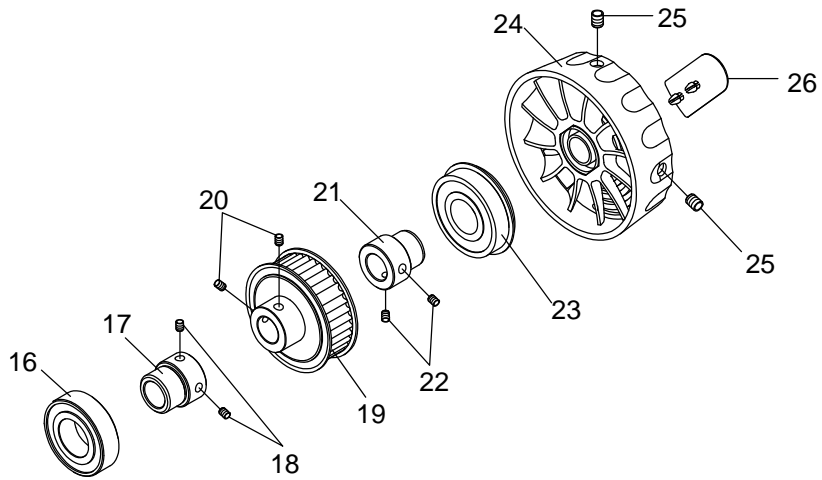
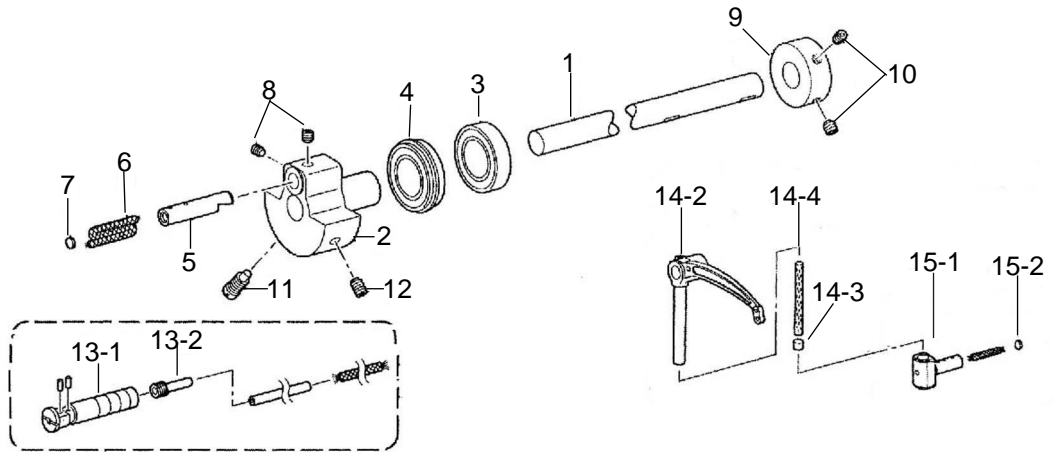
A. 机体部件/Machine body



## A. 机体部件/Machine body

序号 No.	件号 Part No.	参考件号 Ref.Part No.	零部件名称	Name of parts	数量 Amt.		备注
					□□3	□□5	
1	12926001	140063001	带槽销	Dowel pin	1	1	
2	12926002	SA3924001	定位销	Positioning pin	1	1	
3	12922001	SA2929001	橡皮塞 12.5	Rubber cap,12.5	2	2	
4	13837002	30337001	商标牌	Plate with trademark	1	1	
5	304030		面板	Face plate	1	1	58420/58720
	304031	SA4364101	面板	Face plate	1	1	58450/58750
6	S04032	062501416	螺钉 M5×14	Screw,pan M5×14	2	2	
7	S04032	062501416	螺钉 M5×14	Screw,pan M5×14	3	3	58□□0J
8	S04029	062501216	螺钉 M5×12	Screw,pan M5×12	3	3	58□□0B
9	S04021		螺钉M4×4	Screw M4×4	2	2	
10	13812007		卡簧	Buckle	2	2	
11	W01004		垫片	Washer	2	2	58□□0B
12	304032		后窗板	Rear cover	1	1	58□□0J
	304258		后窗板	Rear cover	1	1	58□□0B
13	12922001	SA2929001	橡皮塞 12.5	Rubber cap,12.5	2	2	
14	12922001	SA2929001	橡皮塞 12.5	Rubber cap,12.5	1	1	58420/58720
15	S04028	062500816	螺钉 M5×8	Screw,pan M5×8	2	2	58450/58750
16	129S30002	SA2445101	脚柱 S	Bed leg,S	1	1	
17	129S30001	SA2444101	脚柱 L	Bed leg,L	1	1	
18	1231500100		左推板组件	Slide plate,L assy	1	1	58□□0J
	12915005	SA2447001	左推板组件	Slide plate,L assy	1	1	58□□0B
19	12911001	SA2479001	推板窗	Bobbin window	1	1	
20	1231500200		右推板组件	Slide plate,R assy	1	1	58□□0J
	12915006	SA2449001	右推板组件	Slide plate,R assy	1	1	58□□0B
21	12911001	SA2479001	推板窗	Bobbin window	1	1	
22	1231500300		前推板组件	Slide plate f assy	1	1	58□□0J
	1291500300	S36663051	前推板组件	Slide plate f assy	1	1	58□□0B
23	129S15001	S34438051	螺钉SM1/8"×40 L=4	Screw,flat SM1/8"×40 L=4	4	4	
24	129S17001	116010001	螺钉SM13/64"×32 L=4	Screw,flat SM13/64"×32 L=4	1	1	

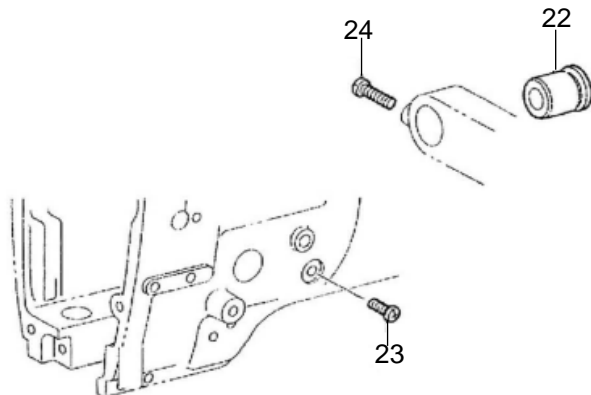
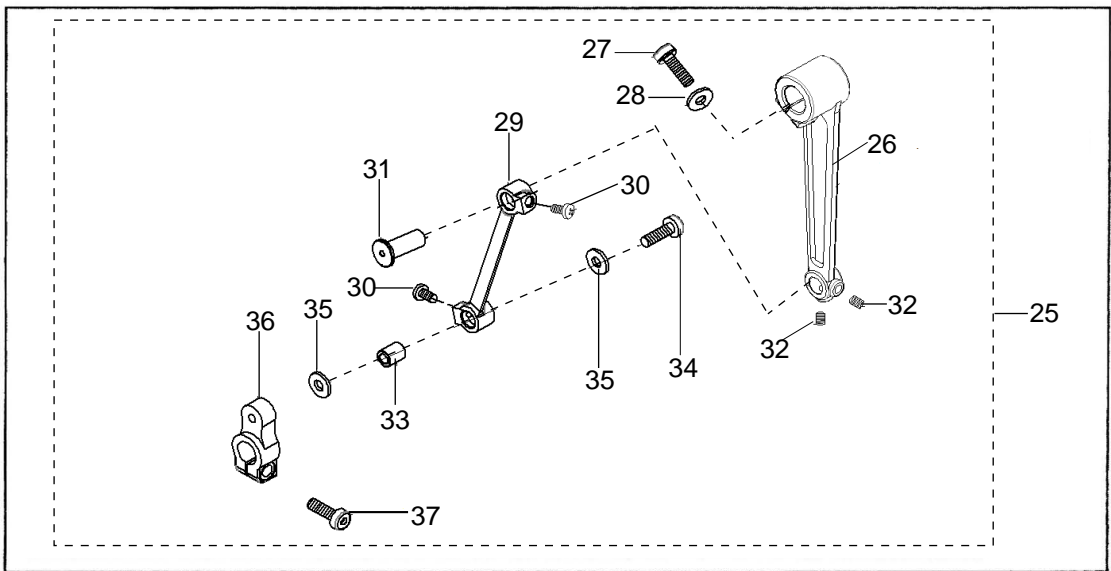
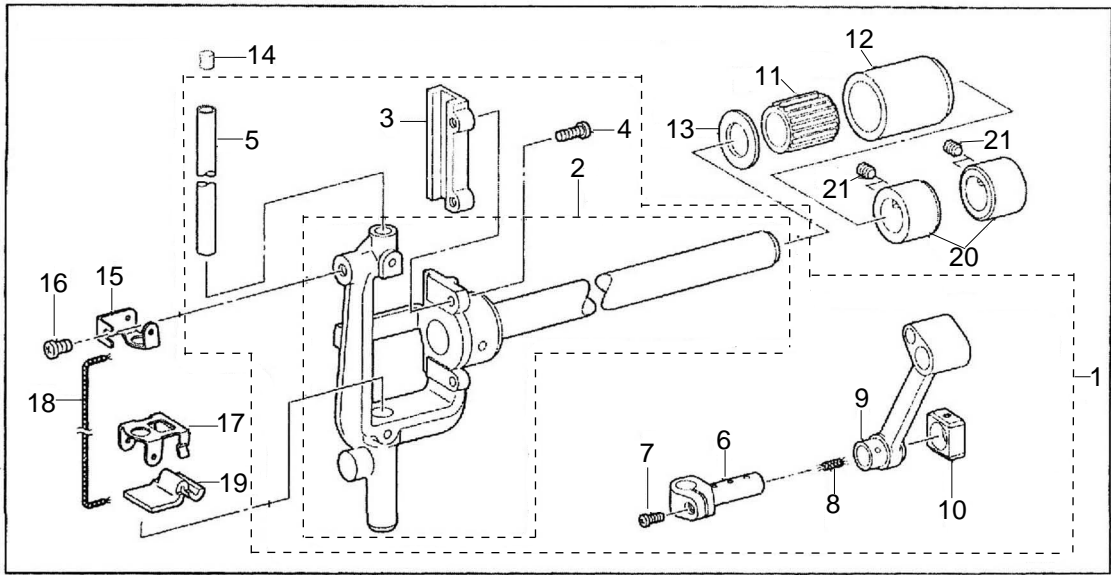
## B. 上轴部件/Upper shaft mechanism



## B.上轴部件/Upper shaft mechanism

序号 No.	件号 Part No.	参考件号 Ref.Part No.	零部件名称	Name of parts	数量 Amt.		备注
					□□3	□□5	
1	12302001		上轴	Upper shaft	1	1	
2	12904001	SA4089001	挑线杆曲柄	Thread takeup crank	1	1	58420/58720
	12904006	SA4373001	挑线杆曲柄	Thread takeup crank	1	1	58450/58750
3	B04022	S25234001	球轴承 6004ZZ	Ball bearing,6004ZZ	1	1	
4	B10002	S38707001	球轴承 6004ZZNR	Ball bearing,6004ZZNR	1	1	
5	12926201	SA6166001	针杆曲柄轴	Crankshaft,NBAR	1	1	
6	12923050		油线 φ2.5 L=60	Wick,φ2.5 L=60	1	1	
7	11626003	113014000	油线盖	Wick cap	1	1	
8	S10017	S25260001	固定螺钉 M6×0.75 L=5	screw M6×0.75 L=5	2	2	
9	12308001		绕线轮驱动轮	Bobbin winder driving wheel	1	1	
10	S10019		紧定螺钉 M6×6	Set screw,socket(ft)M6×6	2	2	
11	129S30005	S25235001	螺钉 M8×6	Screw M8×6	1	1	
12	S09017	S25236001	螺钉 M6×0.75 L=10	screw M6×0.75 L=10	1	1	
13-2	12938002	SA2861001	挑线杆支撑轴接头	Thread takeup s-shaft unit	1	1	
13-1	12938003		挑线架销	Hinge Pin For Thread Take Up Lever	1	1	
14-2	12938006	SA2935101	挑线杆-3	Thread takeup lever assy,s3l	1		58420-003
	12938007	SA2936101	挑线杆-5	Thread takeup lever assy,s5l	1	1	58420-005/58450
	12938202	SA2937101	挑线杆-7	Thread takeup lever assy,s7l	1	1	58720/58750
14-3	12922015		橡皮塞	Rubber cap	1	1	
14-4	12923031		油线 4×4 L=40	Wick,4×4 L=40	1	1	
15-1	11626004	S13160001	挑线杆连接柱	Ttakeup slide block assy,2	1	1	
15-2	12926016		油线盖φ4	Wick capφ4	1	1	
16	B04021	076023800	R球轴承 60/22ZZ	Ball bearing,radial 60/22ZZ	1	1	
17	12908002	SA2748001	轴承套座	Ball bearing bush	1	1	
18	S10018	S23651001	紧定螺钉M6×0.75 L=6	Screw M6×0.75 L=6	2	2	
19	12935002	SA2720001	同步轮UST组件	Timing pulley assy,U ST	1	1	
20	S10018	S23651001	紧定螺钉M6×0.75 L=6	screw M6×0.75 L=6	2	2	
21	12303002		上轴后轴承衬套	Ball bearing bush	1	1	
22	S10018	S23651001	紧定螺钉M6×0.75 L=6	screw M6×0.75 L=6	2	2	
23	B10009	S38710001	球轴承 6204ZZNR	Ball bearing,6204ZZNR	1	1	
24	304034		手轮	Pully	1	1	58□□0J
	304259		手轮	Pully	1	1	58□□0B
25	S10019		螺钉 M6×6	Set screw,socket(ft)M6×6	2	2	
26	13811021		手轮贴条	Handwheel lable	1	1	
27	12935003	SA2463001	同步皮带	Timing belt	1	1	
28	S10024	012061036	螺钉 M6×10	Set screw,socket(ft)M6×10	2	2	
29	12312012	SA2469001	挑线杆防护罩	Thread takeup lever cover	1	1	
30	S04028	062500816	螺钉 M5×8	Screw,pan M5×8	2	2	
31	12912005	SA4537001	防尘盖	Dust cover	1	1	
32	1291207900	SA3058101	遮掩板	Shelter plate	1	1	58420/58720
	12912082	SA4376101	遮掩板	Shelter plate	1	1	58450/58750
33	12923001	SA3065001	油毡	Felt	1	1	
34	12912006	SA3059101	遮掩板支座	Holder,shelter plate	1	1	
35	S04028	062500816	螺钉 M5×8	Screw,pan M5×8	1	1	

C1.针杆摆动部件/Needle bar rocking mechanism(58420、58720)

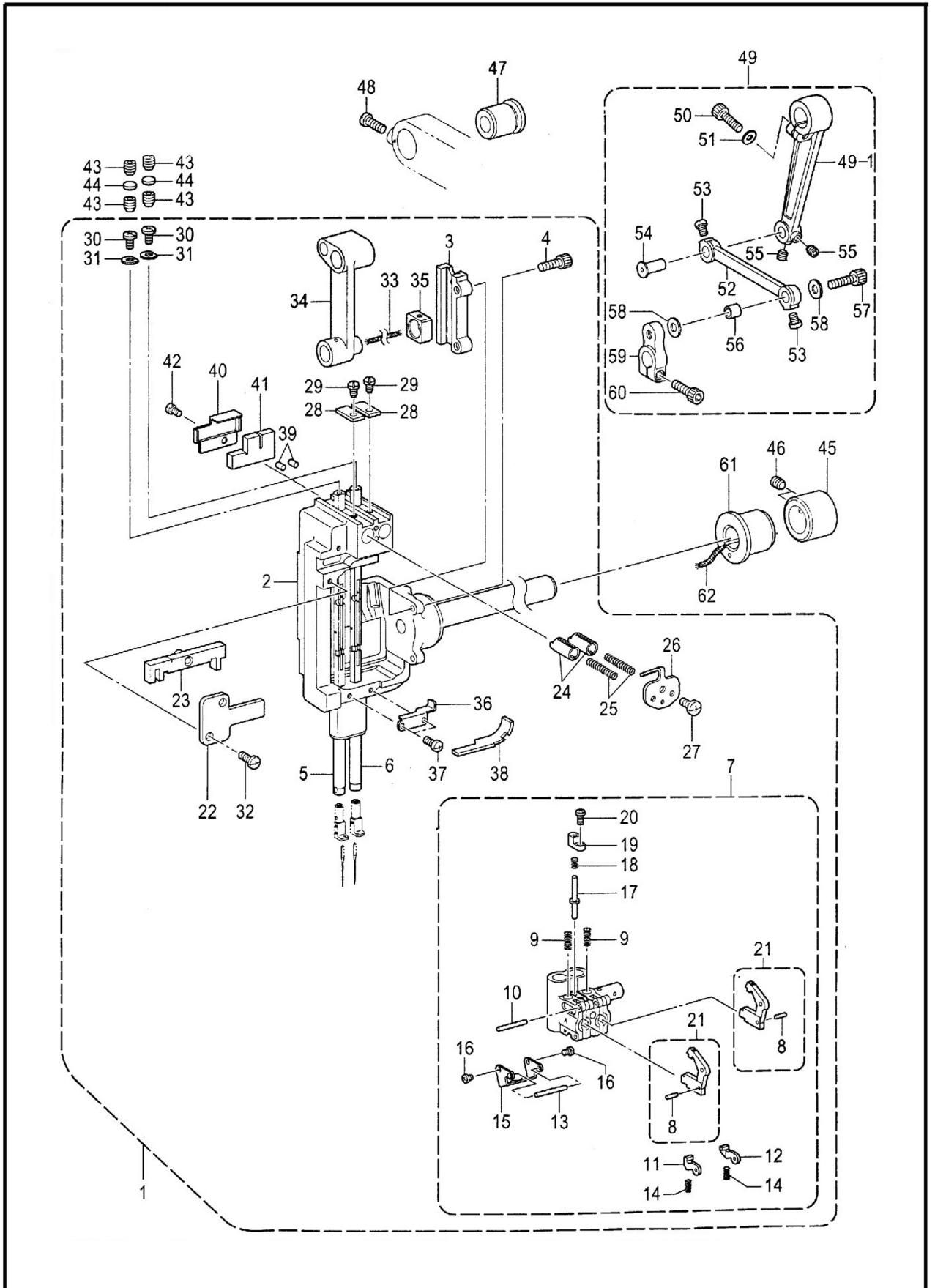




## C1.针杆摆动部件/Needle bar rocking mechanism(58420、58720)

序号 No.	件号 Part No.	参考件号 Ref.Part No.	零部件名称	Name of parts	数量 Amt.		备注
					□□3	□□5	
1	1290200200	SA4124301	针杆摆动轴组件	Needle bar rocker shaft assy	1	1	
2	1290100100	SA3854001	针杆台组件	Needle bar base assy	1	1	
3	12909001	SA2474201	角滑块槽	Slide block slider	1	1	
4	S05058	018401036	螺钉M4×10	Screw,pan M4×10	2	2	
5	12902003	SA2475101	针杆	Needle bar	1	1	
6	12905002	SA3710001	针杆抱箍	Needle bar clamp	1	1	
7	129S30021	062350816	螺钉M3.5×8	Screw,pan M3.5×8	1	1	
8	12923021	112728001	油线 2×2 L=50	Wick,2×2 L=50	1	1	
9	12905003	SA3711101	针杆曲柄连杆	Crank rod,nbar	1	1	
10	12909002	SA3712001	角滑块	Slide block	1	1	
11	12924001	SA2482001	滚针轴承	Needle bearing	1	1	
12	12903001	SA2483001	轴承套	Case	1	1	
13	12928015	SA2484001	垫圈	Washer,plain	1	1	
14	12923002	148394000	针杆塞	Cap,nbar	1	1	
15	12912007	SA4007001	油毡上支架U	Flat support,U	1	1	
16	S04030	062500616	螺钉M5×6	Screw,pan M5×6	1	1	
17	12912008	SA3848001	油毡下支架D	Flat support,D	1	1	
18	12923021	S07465000	油线 L=200	Wick,L=200	1	1	
19	12923003	SA3852001	油毡	Flat	1	1	
20	12908003	SA2485001	紧圈	Set screw collar	2	2	
21	S10063		固定螺钉 M6×0.75 L=5	Set screw,socket(ft)M6×5 L=5	4	4	
22	12903002	SA2486101	摆动轴轴套R	Bush,R	1	1	
23	S04028	062500816	螺钉M5×8	Screw,pan M5×8	1	1	
24	S04031	062061616	螺钉M6×16	Screw,pan M6×16	1	1	
25	1290501500		针杆摆动组件	Needle bar rocker lever assy	1	1	
26	12905004	SA2489001	针杆摆动连杆	Needle bar rocker lever	1	1	
27	S05078	018062032	螺栓M6×20	Bolt,socket M6×20	1	1	
28	20128033	118735002	垫圈	Washer	1	1	
29	12905005	SA2490101	针杆摆动杆	Rocker link,NBAR	1	1	
30	S04034	S23460001	螺钉M6×5	Screw,pan M6×5	2	2	
31	12926005	SA4117001	摆动杆轴P	Link shaft,NBAR rocker P	1	1	
32	S10019	012060636	螺钉 M6×6	Set screw,socket(ft)M6×6	2	2	
33	12903003	SA4118001	摆动杆轴套P	Zigzag link bush,P	1	1	
34	S05016	018062532	内六角螺栓M6×25	Bolt,socket M6×25	1	1	
35	12928002	SA2493001	垫圈	Washer,plain	2	2	
36	12901010	SA2494001	针杆摆动臂	Needle bar rock arm	1	1	
37	S05078	018062032	螺栓M6×20	Bolt,socket M6×20	1	1	

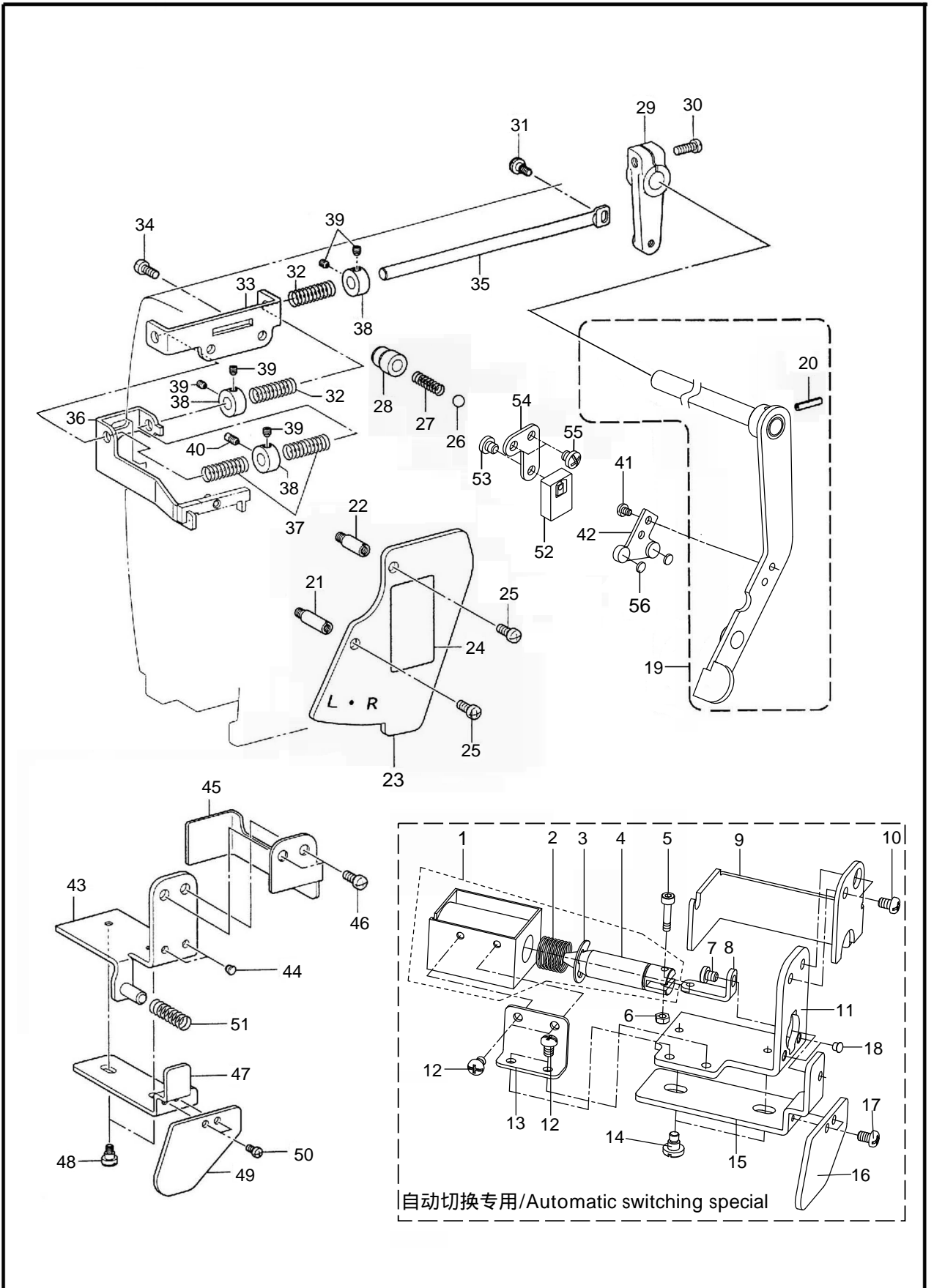
C2. 针杆摆动部件/Needle bar rocking mechanism(58450、58750)



## C2.针杆摆动部件/Needle bar rocking mechanism(58450、58750)

序号 No.	件号 Part No.	参考件号 Ref.Part No.	零部件名称	Name of parts	数量 Amt.		备注
					□□3	□□5	
1	1290201400	SA4377001	针杆摆动轴组件	Needle bar rocker shaft assy	1	1	
2	1290100600	SA4378001	针杆台组件	Needle bar base assy	1	1	
3	12909001	SA2474201	角滑块槽	Slide block slider	1	1	
4	S05058	018401036	螺钉M4×10	Bolt socket M4×10	2	2	
5	12902015	SA4382001	针杆组件L	Needle bar assy,L	1	1	
6	12902016	SA4385001	针杆组件R	Needle bar assy,R	1	1	
7	12902017	SA4387001	针杆抱箍组件	Needlee bar clamp assy	1	1	
8	11726003	149604001	销 1.5×5.8	Pin 1.5×5.8	2	2	
9	12927019	149605001	离合器摆杆弹簧	Spring,clutch lever	2	2	
10	11726004	149827001	销 2×15.8	Pin 2×15.8	1	1	
11	12912102	S34561101	止动块 L	Clutch stopper,L	1	1	
12	12912066	S34562101	止动块 R	Clutch stopper,R	1	1	
13	11726005	149608001	销 2×17.8	Pin 2×17.8	1	1	
14	11727002	112609001	推动板止动簧	Spring	1	1	
15	12912067	SA4391001	弹簧支架	Spring holding	1	1	
16	129S3029	062260316	螺钉M2.6×3	Screw,pan M2.6×3	2	2	
17	11726006	149610001	销	Pin	1	1	
18	11727003	149611101	离合销弹簧	Spring,release pin	1	1	
19	12901009	SA4392001	离合销盖	Pin cover	1	1	
20	129S30030	062260516	螺钉M2.6×5	Screw,pan M2.6×5	1	1	
21	12912068	SA4389101	离合器摆杆组件	Clutch lever assy	2	2	
22	12912070	SA4395001	角滑块导向板	Slide block guide plate	1	1	
23	12909013	S07575000	滑块组件	Slide block assy	1	1	
24	12912071	SA4583001	针杆定位	Stopper,Nbar	2	2	
25	11727004	149622001	针杆止动器弹簧	Spring,Nbar stopper	2	2	
26	12912072	SA4396001	弹簧盖	Spring cover	1	1	
27	S04016	060350616	螺钉M3.5×6	Screw bind M3.5×6	1	1	
28	12912073	SA4397001	针杆定位块	Rotate stopper,NBar	2	2	
29	129S20005	SA4398001	螺钉SM3.5	Screw SM3.5	2	2	
30	S04016	060350616	螺钉M3.5×6	Screw bind M3.5×6	2	2	
31	W01001	SA4399001	垫圈	Washer,plane	2	2	
32	129S30021	062350816	螺钉M3.5×8	Screw pan M3.5×8	1	1	
33	12923021	112728001	油线 2×2 L=50	Wick,2×2 L=50	1	1	
34	12905016	SA4393001	针杆曲柄连杆	Crank rod,Nbar	1	1	
35	12909010	SA4394001	角滑块	Slide block	1	1	
36	12912074	SA4401001	油毡下支架D	Felt support,D	1	1	
37	S04016	062350616	螺钉M3.5×6	Screw bind M3.5×6	2	2	
38	12923027	SA4400001	油毡	Felt	1	1	
39	10123002	107155001	针杆上毡塞	Felt	2	2	
40	12912101	SA5155001	油毡上支架U	Felt support,U	1	1	
41	12923029	SA5237101	油毡	Felt	2	2	
42	S04041	062350516	螺钉M3.5×5	Screw pan M3.5×5	1	1	
43	S10025	014080831	紧定螺钉 M8×8	Set screw,socket(CP)M8×8	4	4	
44	12928021	154567000	衬垫5.3	Spacer,5.3	2	2	
45	12908003	SA2485001	紧圈	Set screw collar	1	1	
46	S10063		固定螺钉 M6X0.75 L=5	Set screw,socket(ft)M6×5 L=5	2	2	
47	12903002	SA2486101	摆动轴轴套R	Bush,R	1	1	
48	S04031	062061616	螺钉M6×16	Screw pan M6×16	1	1	
49	1290501500		针杆摆动组件	Needle bar rocker lever assy	1	1	
49-1	12905004	SA2489001	针杆摆动连杆	Needle bar rocker lever assy	1	1	
50	129S13004	018062032	螺栓M6×20	Bolt socket M6×20	1	1	
51	20128033	118735002	垫圈6	Washer	1	1	
52	12905005	SA2490101	针杆摆动杆	Rocker link,NBar	1	1	
53	S04034	S23460001	螺钉M6×5	Screw pan M6×5	2	2	
54	12926005	SA4117001	摆动杆轴P	Link shaft,Nbar rocker P	1	1	
55	S10019	012060636	螺钉 M6×6	Set screw,socket(ft)M6×6	2	2	
56	12903003	SA4118001	摆动杆轴套P	Ziqzag link bush,P	1	1	
57	S05016	018062532	螺栓M6×25	Bolt socket M6×25	1	1	
58	12928002	SA2493001	垫圈	Washer,plain	2	2	
59	12901010	SA2494001	针杆摆动臂	Needle bar rock arm	1	1	
60	S05078	018062032	螺栓M6×20	Bolt socket M6×20	1	1	
61	12903018	SA5332001	轴套L	Bush,L	1	1	
62	12923018	S48204000	油线4×4 L=150	Wick,4×4 L=150	1	1	

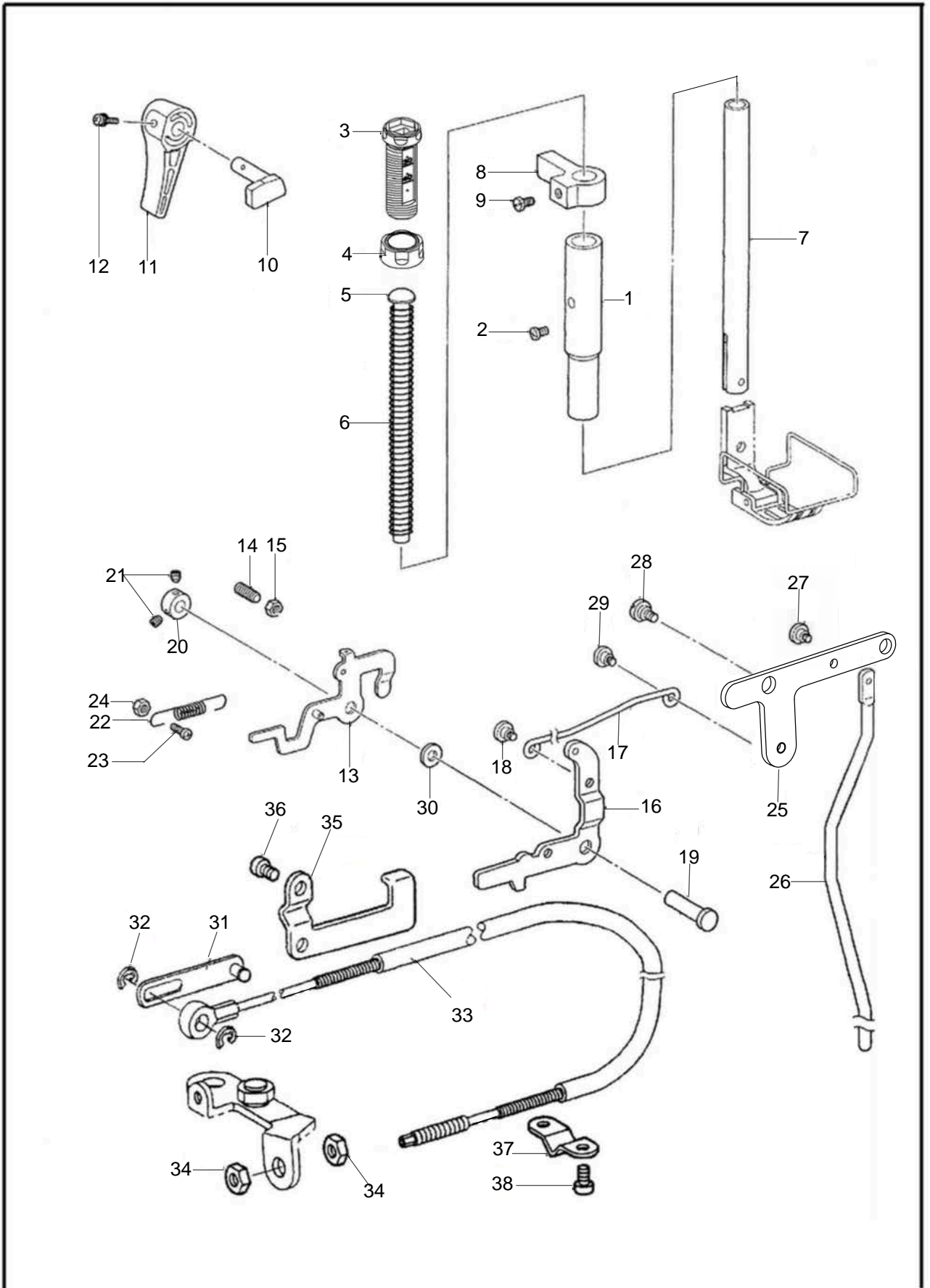
D.针杆切换部件/Needle bar flip-up mechanism(58450、58750)



## D.针杆切换部件/Needle bar flip-up mechanism(58450、 58750)

序号 No.	件号 Part No.	参考件号 Ref.Part No.	零部件名称	Name of parts	数量 Amt.		备注
					□□3	□□5	
1	1233000800		针杆复位电磁铁	Needle bar reset solenoid	1	1	-□□□
2	12327005		电磁铁复位弹簧	solenoid reset spring	1	1	-□□□
3	H05011		限位挡圈9	Retaining ring,9	1	1	-□□□
4	12330009		限位电磁铁铁芯	Solenoid core	1	1	-□□□
5	S05329		连接螺钉	Screw,pan	1	1	-□□□
6	N01013		锁紧螺母	Nut	1	1	-□□□
7	12312024		复位连接板	Reset connector	1	1	-□□□
8	S04021		固定螺钉M4×4	Set screw M4×4	1	1	-□□□
9	12312017		指示板盖	Holder plate cover	1	1	-□□□
10	S04032	062501016	螺钉M5×14	Screw pan M5×14	2	2	
11	12312018		指示板组件	Indication plate assy	1	1	-□□□
12	207S11011		固定螺钉M4×5	Set screw M4×5	4	4	-□□□
13	12312019		复位电磁铁安装板	Solenoid mounting plate	1	1	-□□□
14	301S20001		段螺钉M4	Shoulder screw,M4	2	2	
15	12312021		压板	Push lever	1	1	
16	12312022		压杆板	Plate,push lever	1	1	
17	S04041	062350516	螺钉 M3.5×5	Screw pan M3.5×5	2	2	
18	12922004	104833001	橡皮塞4.3	Rubber cap,4.3	2	2	
19	1231202000		定位杆轴组件	Stop lever shaft assy	1	1	-□□□
	1291206000	SA4406001	定位杆轴组件	Stop lever shaft assy	1	1	
20	11729011	047301842	弹簧销AW3×18	Pin spring roll AW3×18	1	1	
21	123S30004	SA4408001	螺栓L	Stud,L	1	1	
22	123S30005	SA4409001	螺栓S	Stud,S	1	1	
23	12912061	SA4411101	切换指示板	Flipup holder plate	1	1	
24		S18964001	切换指示标签	Label	1	1	
25	S04028	062500816	螺钉M5×8	Screw pan M5×8	2	2	
26	12903016	SA4412001	轴承导向套	Ball guide bush	1	1	
27	12927022	150820001	弹簧	Spring	1	1	
28	11724001	071063550	钢珠1/4	Bearing ball	1	1	
29	12304001	SA4413001	轴臂	Arm,lever shaft	1	1	
30	S05004	062501416	螺钉M5×14	Screw pan M5×14	1	1	
31	123S20002	SA5588001	螺钉M4	Shoulder screw,M4	1	1	
32	11727007	SA4414001	弹簧	Spring	2	2	
33	12312006	SA4415001	滑轴架	Slide shaft bracket	1	1	
34	S04028	062500816	螺钉M5×8	Screw pan M5×8	2	2	
35	12312007	S07588101	滑动轴	Slide shaft	1	1	
36	12312008	SA4416001	支架板	Support plate,slide shaft	1	1	
37	12927018	149863001	弹簧	Spring,plate	2	2	
38	12303003	SA4417001	紧圈	Set screw collar	3	3	
39	S10007	014400432	紧定螺钉M4×4	Set screw,socket(CP)M4×4	5	5	
40	123S11004	SA4418001	导向螺钉	Guide screw	1	1	
41	207S11011		固定螺钉M4×5	Set screw M4×5	2	2	
42	12311010		感应磁钢安装板	Solenoid mounting plate	1	1	
43	12312002	SA4402001	指示板组件	Indication plate assy	1	1	
44	12922004	104833001	橡皮塞4.3	Rubber cap,4.3	2	2	
45	12312003	SA5336001	指示板盖	Holder plate cover	1	1	
46	S04032	062501016	螺钉M5×14	Screw pan M5×14	2	2	
47	12312004	SA4404001	压板	Push lever	1	1	
48	123S20001	SA4441001	段螺钉M4	Shoulder screw,M4	2	2	
49	12912059	SA4405001	压杆板	Plate,push lever	1	1	
50	S04041	062350516	螺钉 M3.5×5	Screw pan M3.5×5	2	2	
51	12927017	SA5333001	弹簧	Spring	1	1	
52	12330010		霍尔传感器	Hall sensor	1	1	
53	S04021		固定螺钉M4×4	Set screw M4×4	1	1	
54	12312023		霍尔传感器安装板	Hall sensor mounting plate	1	1	
55	207S11011		固定螺钉M4×5	Set screw M4×5	2	2	
56	12347001		感应磁钢	Magnet	2	2	

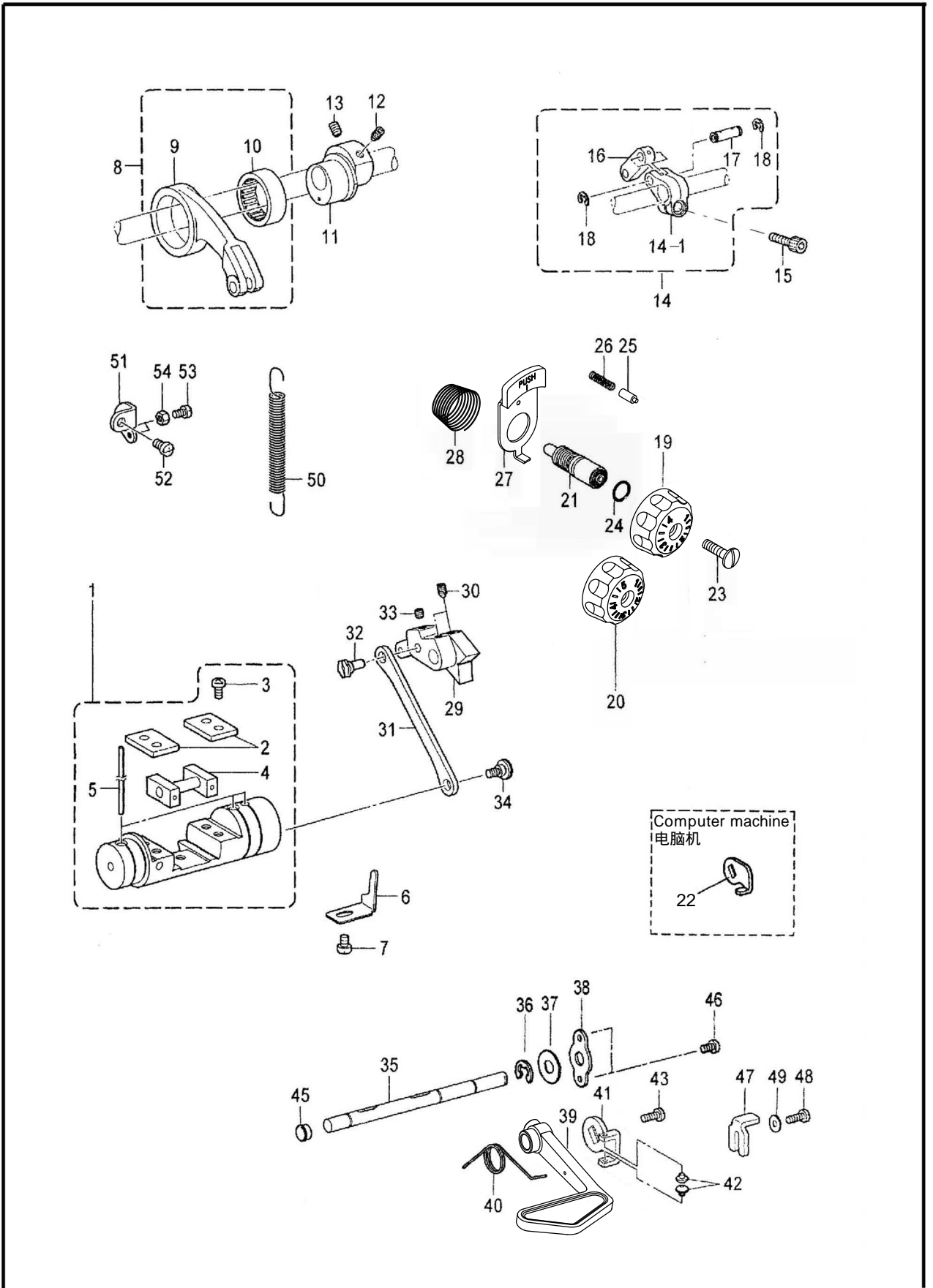
E.压脚部件/Presser foot mechanism



## E.压脚部件/Presser foot mechanism

序号 No.	件号 Part No.	参考件号 Ref.Part No.	零部件名称	Name of parts	数量 Amt.		备注
					□□3	□□5	
1	12903004	SA2495001	压杆轴套	Presser bar bush	1	1	
2	S04028	062500816	螺钉M5×8	Screw,pan M5×8	1	1	
3	123530002		调节螺栓 M14	Presser adjusting screw M14	1	1	
4	123516001		调节螺母 M14	Presser adjusting nut M14	1	1	
5	12905006	SA7607001	弹簧导杆	Spring guide	1	1	
6	11627002	S07346101	压紧弹簧	Presser bar spring,5	1	1	
7	12902004	SA2496001	压紧杆	Presser bar	1	1	
8	12905007	SA2498001	压杆抱箍	Guide bracket,PBAR	1	1	
9	129512001	S25289001	螺栓M6×10	Bolt,socket M6×10	1	1	
10	12904002	SA2499001	压杆提升曲柄	Presser bar lifting crank	1	1	
11	12311007	S31006001	抬压脚扳手	Lifting lever	1	1	
12	124530009	S39051001	螺钉(带垫圈)M3.5×12	Screw,pan(s/p w) M3.5×12	1	1	
13	1291300100	S07353001	松线板组件	Tension release plate assy	1	1	58□□0B
	1291330100	S07351001	松线板组件	Tension release plate assy	1	1	58□□0J
14	S09018	012061832	螺钉M6×18	Set screw,socket(ft)M6×18	1	1	
15	N01012	012061832	螺母M6	Nut M6	1	1	
16	12912010	SA2501001	抬压脚连杆	Presser bar lifting lever	1	1	
17	12912090		膝控连杆	Knee lifter connecting rod	1	1	
18	129520001	SA1179001	段螺钉M5	Shoulder screw,M5	1	1	
19	11626008	S07349001	膝提前拔销	Pbar lifting lever shaft	1	1	
20	12908004	SA2504001	紧圈	Set screw,collar	1	1	
21	S09019	012500536	螺钉M5×5	Set screw,socket(ft)M5×5	2	2	
22	12927002	S07355051	弹簧	Spring extension	1	1	
23	S04032	062501416	螺钉M5×14	Screw,pan M5×14	1	1	
24	N01014	021500106	六角螺母M5	Nut 1 M5	1	1	
25	12912095		抬压脚后杠杆	Knee lifter lever	1	1	
26	12912600		膝控顶杆	Knee lifter bar	1	1	
27	129520001	SA1179001	段螺钉M5	Shoulder screw,M5	1	1	
28	129520002	SA2165001	段螺钉M6	Shoulder screw,M6	1	1	
29	129520001	SA1179001	段螺钉M5	Shoulder screw,M5	1	1	
30	12928016	S07350001	垫圈	Washer,plain	1	1	
31	1291230100	S07529001	松线连杆组件	Thread release connecting rod assy	1	1	
32	H05002	048030342	挡圈E3	Retaining ring ,E3	1	1	
33	12930301	SA2677001	松线电线	Tension release wire	1	1	
34	N01014		螺母SM3/16"×32	Nut SMSM3/16"×32	2	2	
35	12912302	SA2678001	松线电线夹	Wire holder	1	1	
36	S04028	062500816	螺钉M5×8	Screw,pan M5×8	2	2	
37	12912303	SA2679001	松线电线夹	Wire holder	1	1	
38	S04038	062060816	螺钉M6×8	Screw,pan M6×8	2	2	

F.送布部件/Feed mechanism

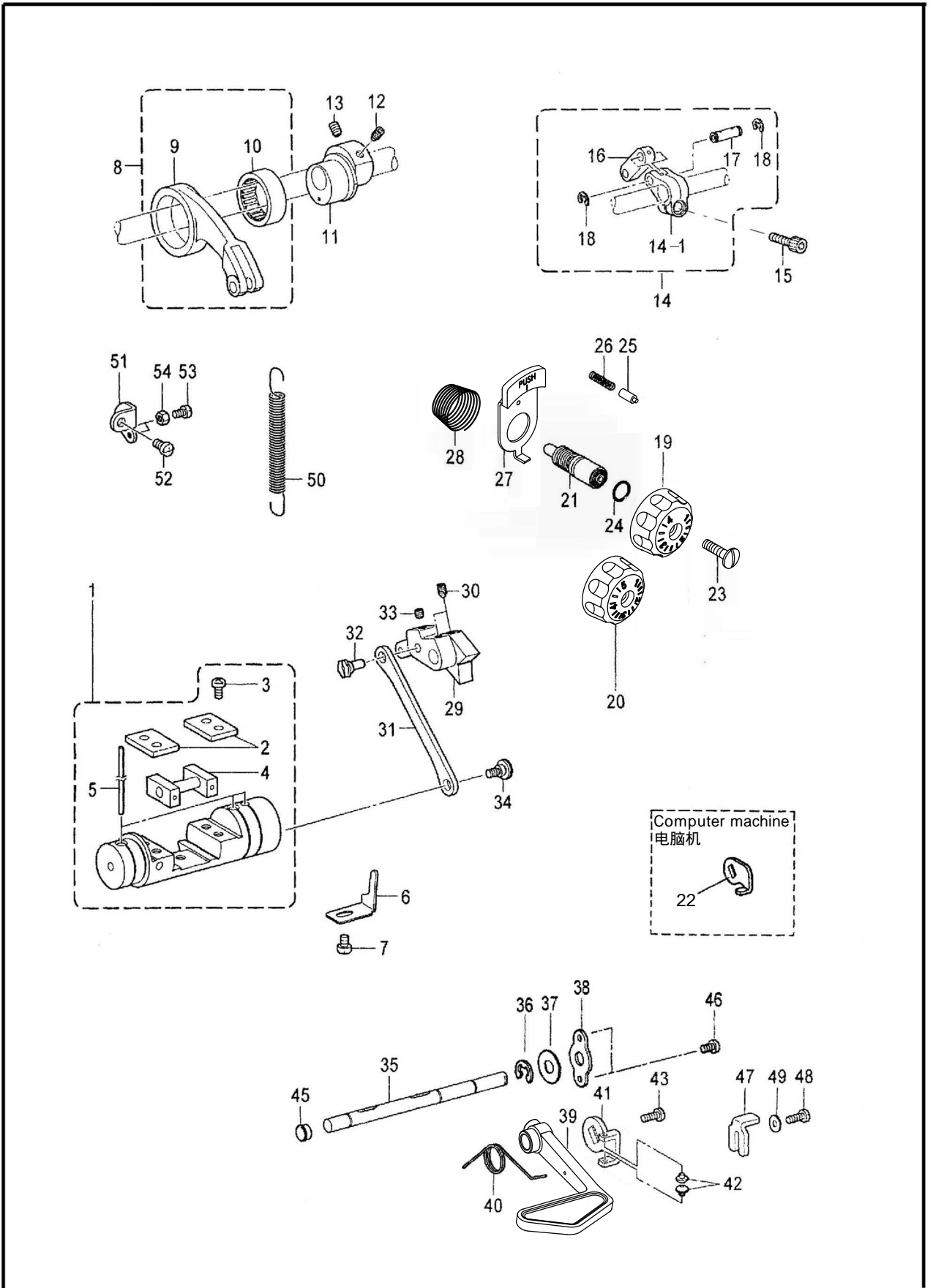




## F.送布部件/Feed mechanism

序号 No.	件号 Part No.	参考件号 Ref.Part No.	零部件名称	Name of parts	数量 Amt.		备注
					□□3	□□5	
1	1290200500	SA3062001	切换器11组件	Feed regulator assy,11	1		58420
	1290200500	SA3062001	切换器11组件	Feed regulator assy,11	1	1	58720/58750
1	1290200600	SA2509001	切换器组件	Feed regulator assy		1	58420
	1290200600	SA2509001	切换器组件	Feed regulator assy	1	1	58450
2	12909003	SA2511001	滑块导向	Guide plate	2	2	
3	S04029	062501016	螺钉M5×12	Screw,pan M5×12	4	4	
4	12909004	SA2512001	滑块组件	Slide block assy	1	1	
5	12923018	SA2515001	油线 4×4 L=150	Wick,4×4 L=150	1	1	
6	12912014	SA2516001	切换器定位	Stopeer	1	1	
7	S04033	062060816	螺钉M6×8	Screw,pan M6×8	1	1	
8	1290500800	143611201	送布连杆组件	Frocker connecting rod assy	1	1	
9	12905009	143612100	送布大连杆	Feed rocker connecting rod	1	1	
10	11624002	118954000	滚针轴承	Needle bearing	1	1	
11	12910001	SA2518001	送布偏心轮5	Level feed eccentric wheel 5	1	1	58420/58450
	12910201	SA2791001	送布偏心轮7	Level feed eccentric wheel 7	1	1	58720/58750
12	116514005		螺钉	Set screw	1	1	
13	101S15011		倒送料扳手定位螺钉	Set screw	1	1	
14	1290400800		水平送料臂5组件	Feed rocker arm5 assy	1	1	58420/58450
	1290400900		水平送料臂7组件	Feed rocker arm7 assy	1	1	58720/58750
14-1	12904003	SA2521001	水平送料臂5	Feed rocker arm5	1	1	58420/58450
	12904201	SA2793001	水平送料臂7	Feed rocker arm7	1	1	58720/58750
15	S05078	018062032	螺栓M6×20	Bolt,socket M6×20	1	1	
16	12905010	143613051	送布小连杆	Link	1	1	
17	11626010	143616001	送布曲柄轴	Shaft	1	1	
18	11629002	048060342	挡圈E6	Retaining ring ,E6	2	2	
19	1231100200		针距标盘4	Stitch length dial,4	1		58420
20	1231100300		针距标盘5	Stitch length dial,5		1	58420
	1231100300		针距标盘5	Stitch length dial,5	1	1	58450
	1231100400		针距标盘7	Stitch length dial,7	1	1	58720/58750
21	129S30007	SA3056001	调节螺栓	Feed regulating stud	1	1	
22	12912304	SA2541001	倒缝扳手板	Reverse stitching lever plate	1	1	58□□0J
23	101S11022		螺钉SM3/16"×28	Screw,SMSM3/16"×28	1	1	
24	10122016	108549001	O形圈	O Ring	1	1	
25	11426022	S50098101	定位销	Positioning pin	1	1	
26	11427034	100328001	止动销弹簧	Notch spring	1	1	
27	11412079		标盘锁按键	Dial lock lever	1	1	
28	11427035		弹簧	Spring	1	1	
29	12909005	SA2525001	送料调节器 5	Feed regulator 5	1	1	58420/58450
	12909201	SA2796001	送料调节器 7	Feed regulator 7	1	1	58720/58750
30	S10021	016061031	紧定螺钉 M6×10	Set screw,socket(cn)M6×10	2	2	
31	12905011	SA2526001	切换器连杆	Connecting rod	1	1	
32	12910002	SA2527001	偏心轴	Eccentric shaft	1	1	
33	S10019	012060636	螺钉M6×6	Set screw,socket(ft)M6×6	1	1	
34	129S20003	SA2528101	段螺钉M6	Shoulder screw,M6	1	1	
35	12902007	SA2529101	倒缝手柄轴 TR	Shaft,Rlever TR	1	1	
36	12929003	048080342	挡圈E8	Retanining ring ,E8	1	1	
37	11628003	025100132	平垫圈S10	Washer,plain S 10	1	1	
38	12912017	SA2530001	垫片	Spacer	1	1	
39	304033	S07374109	倒缝扳手	Reverse stitching lever	1	1	
40	12927005	SA2531001	弹簧	Spring	1	1	

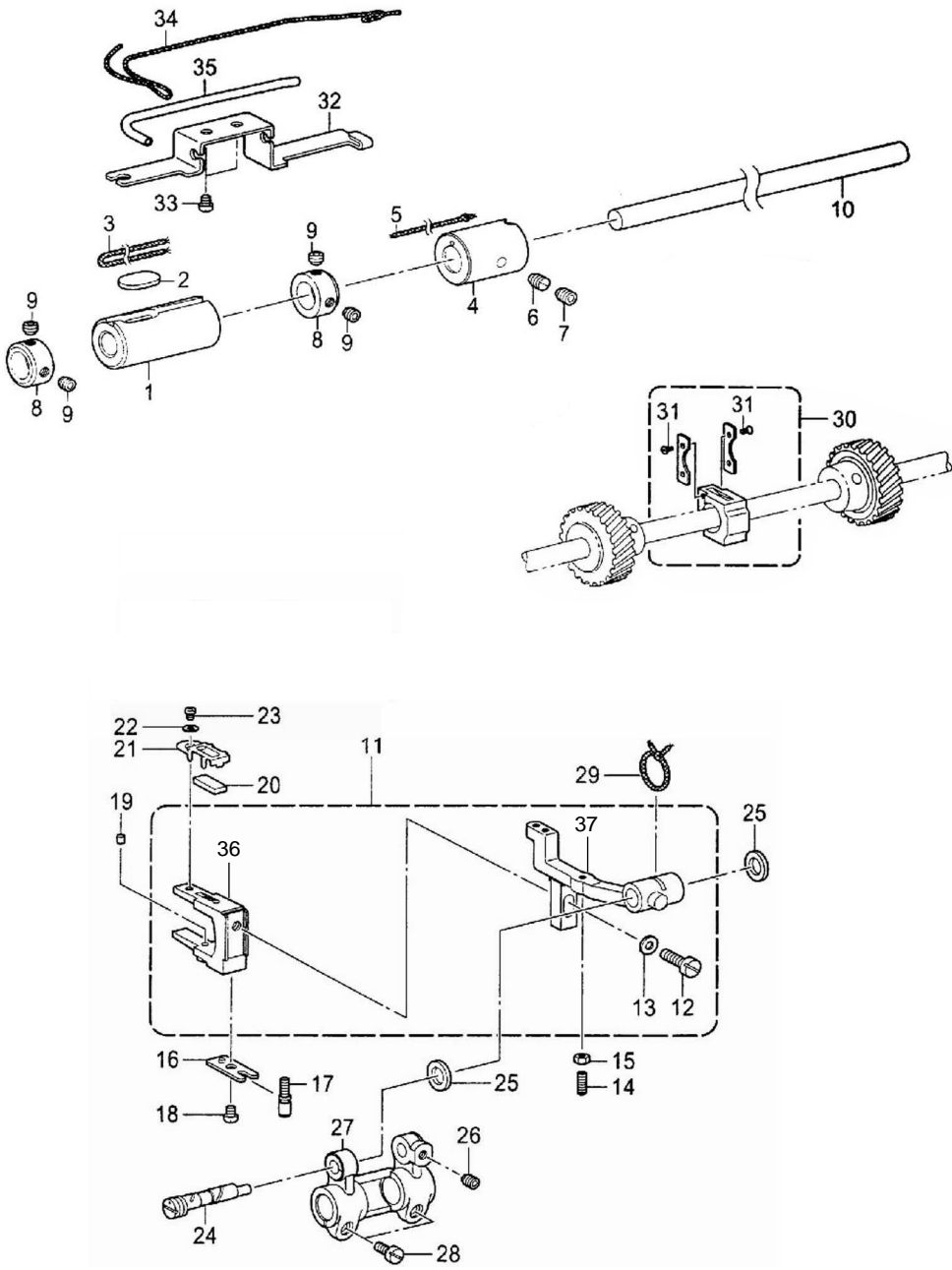
F.送布部件/Feed mechanism



## F.送布部件/Feed mechanism

序号 No.	件号 Part No.	参考件号 Ref.Part No.	零部件名称	Name of parts	数量 Amt.		备注
					□□3	□□5	
41	12912018	SA3067001	手柄导向	Lever guide	1	1	58□□0B
42	12922002	S48367000	导向橡皮	Rubber	2	2	58□□0B
43	129S11001	SA6592001	螺钉M5	Screw,pan M5	1	1	
45	40122016	104821001	橡皮塞10.5	Rubber cap,10.5	1	1	
46	S04028	062500816	螺钉M5×8	Screw,pan M5×8	2	2	
47	12912019	SA2532001	定位器	Stooper	1	1	
48	S04029	062501216	螺钉M5×12	Screw,pan M5×12	1	1	
49	12928018	025050236	平垫圈M5	Washer,plain M5	1	1	
50	12927006	S07376001	调节器弹簧	Feed regulator spring	1	1	
51	12912020	SA2533001	弹簧挂钩	Spring hook	1	1	
52	S04038	062060816	螺钉M6×10	Screw,pan M6×10	1	1	
53	S04029	062501216	螺钉M5×12	Screw,pan M5×12	1	1	
54	N01017	021500106	六角螺母M5	Nut 1 M5	1	1	

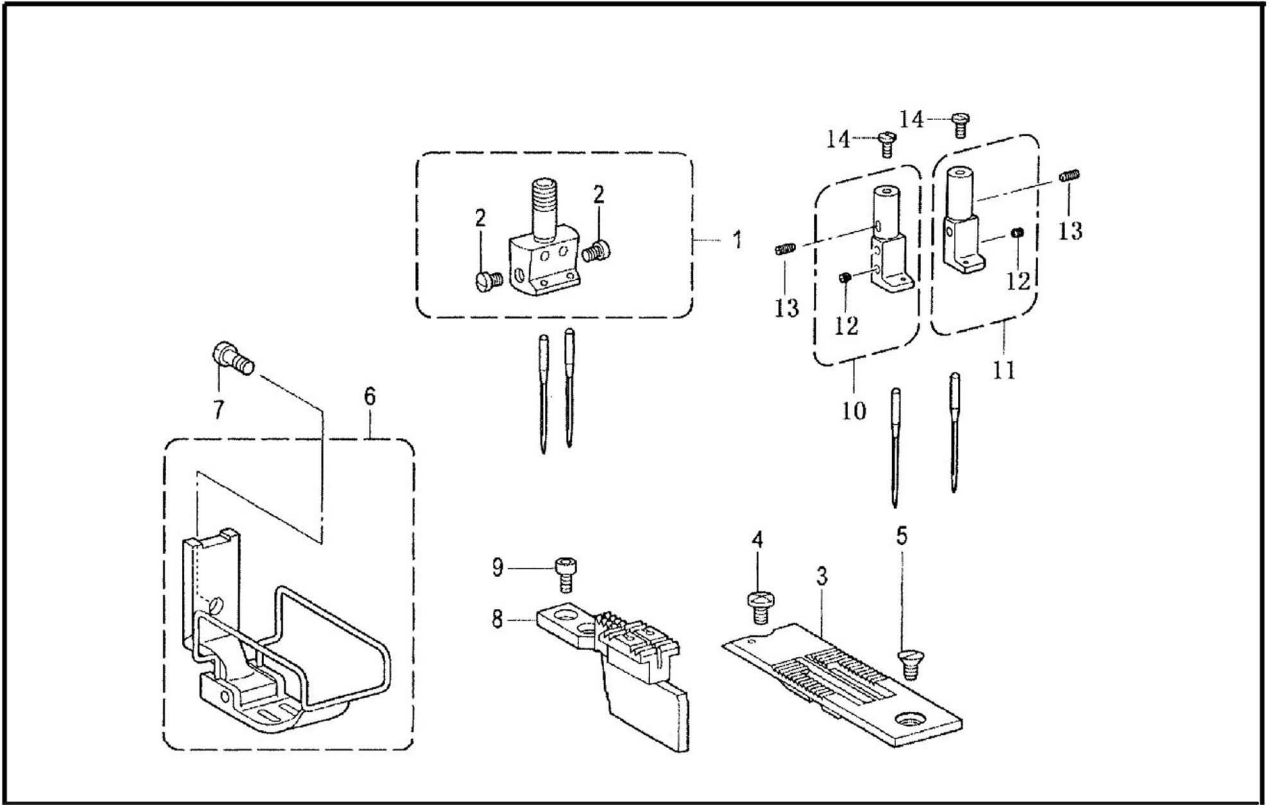
G.送布轴部件/Feed shaft mechanism



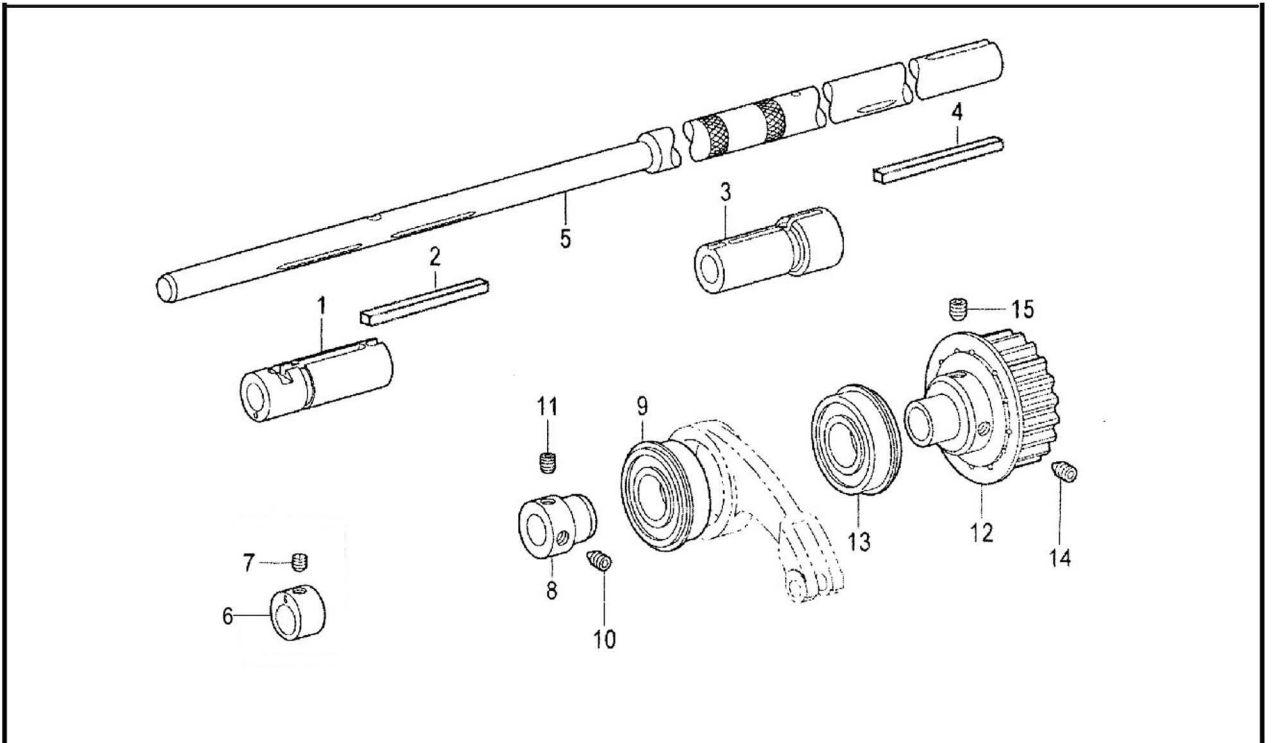
## G.送布轴部件/Feed shaft mechanism

序号 No	件号 Part No.	参考件号 Ref.Part No.	零部件名称	Name of parts	数量 Amt.		备注
					□□3	□□5	
1	12903005	SA3855001	送布轴套L	Bush,l:frocker shaft	1	1	
2	12923005	SA3965001	油毡	Felt	1	1	
3	12923018	SA4028001	油线 4×4 L=220	Wick,4×4 L=220	1	1	
4	12903006	SA2543001	送布轴套R	Feed rocker shaft bush,R	1	1	
5	12923018	108802001	油线 4×4 L=250	Wick,4×4 L=250	1	1	
6	S10022	SA2544001	紧定螺钉 M6×8	Set screw M6×8	1	1	
7	S10019	012060636	螺钉M6×6	Set screw,socket M6×6	1	1	
8	12908005	SA2546001	紧圈	Set screw collar	2	2	
9	S10018	S23651001	紧定螺钉M6×0.75 L=6	Set screw,socket M6×0.75 L=6	4	4	
10	12902008	SA3840001	送布轴	Feed rocker shaft	1	1	
11	1290700200		送布台叉组件 ST	Feed bar st fork assy	1	1	58□□0B
	1290720100	SA6150101	送布台叉组件 TR	Feed bar tr fork assy	1	1	58□□0J
12	207S11006	SA2927001	螺钉 M6×14	Screw, M6×14	1	1	
13	11628005	025060132	平垫圈S6	Washer,plain S 6	1	1	
14	S07005	SA2566001	螺钉M3.5×12	Set screw M3.5×12	1	1	
15	N01016	021350106	螺母M3.5	Nut 1 M3.5	1	1	
16	12912021	SA2553001	开叉板	Forked plate	1	1	
17	129S30010	SA2554001	调整螺栓	Adusting screw,hight	1	1	
18	S04035	062400616	螺钉M4×6	Screw,pan M4×6	1	1	
19	12923006	SA3990001	油毡	Flat	2	2	
20	12923007	SA3887001	油毡	Flat	1	1	
21	12912022	SA3888001	油毡压架	Flat holder	1	1	
22	12928019	025030132	平垫圈S3	Washer,plain S 3	1	1	
23	S04036	062300416	螺钉M3×4	Screw,pan M3×4	1	1	
24	12910003	SA2550001	送布台安装轴	Feed bar shaft	1	1	
25	12928003	SA2551001	轴向垫圈	Thrust ring	2	2	
26	S10019	012060636	螺钉M6×6	Set screw,socket(ft)M6×6	1	1	
27	12904004	SA2555001	水平送布台臂	Feed rocker base arm	1	1	
28	S01059	SA2928001	螺钉M5×13	Screw,M5×13	2	2	
29	12923018	SA4538001	油线 4×4 L=180	Wick,4×4 L=180	1	1	
30	1290900600	SA2806001	角滑块组件	Feed bar slide block assy	1	1	
31	S02018	SA6308001	螺钉M2×4	Screw,flat M2×4	4	4	
32	12912023	SA4009001	油线支架	Wick support	1	1	
33	S04035	062400616	螺钉M4×6	Screw,pan M4×6	2	2	
34	12923018	SA2724001	油线4×4 L=400	Wick,4×4 L=400	1	1	
35	12921002	SA4011001	维尼龙油管 L=100	Oil tube,L=100	1	1	
36	12905012		送布台叉	Feed bar fork	1	1	
37	12907001		送布ST	Feed bar , st	1	1	58□□0B
	12907202		送布ST	Feed bar , st	1	1	58□□0J

## H. 针位部件/Gauge parts



## I. 下轴部件/Lower shaft mechanism

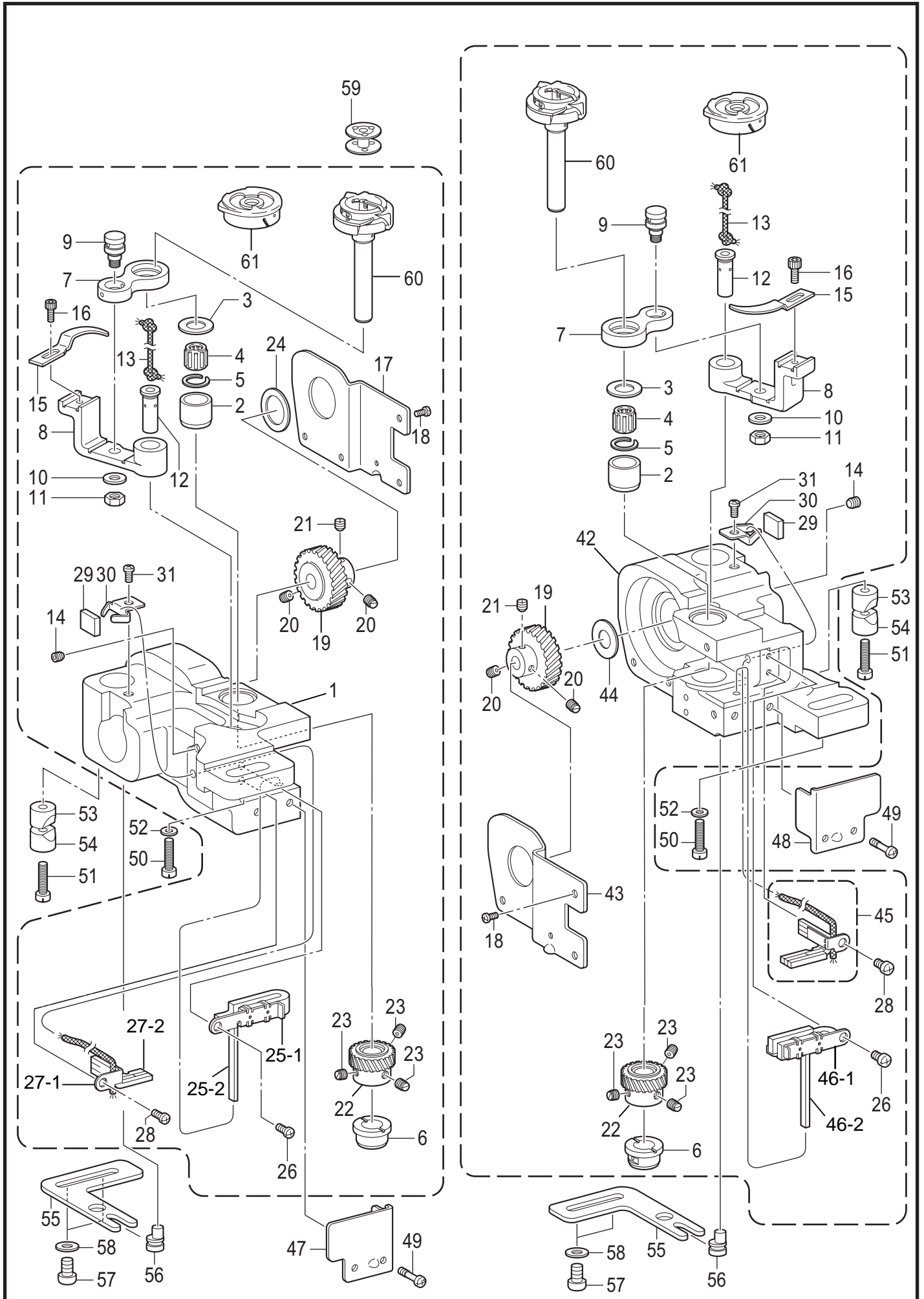


## H. 针位部件/Gauge parts

序号 No.	件号 Part No.	参考件号 Ref.Part No.	零部件名称	Name of parts	数量 Amt.		备注
					□□3	□□5	
1	★		针夹组件	Needle clamp assy	1	1	58□20□
2	116S11012	116323001	螺钉SM9/64"×40 L=4	Screw,SM9/64"×40 L=4	2	2	58420/58720
3	★		针板	Needle plate	1	1	
4	129S30014	S11244001	针板螺钉SM11/64"×40 L=	ScrewSM11/64"×40 L=7	1	1	
5	129S17003	100032004	平头螺钉SM11/64"×40 L=	Screw,flatSM11/64"×40 L=8	1	1	
6	★		压脚组件	Presser foot assy	1	1	
7	129S11010	113050001	螺钉M3.5	Screw,M3.5	1	1	
8	★		送布牙	Feed dog	1	1	
9	129S13002	S07494001	螺钉SM1/8"×44" L=7	Screw,w/socket SM1/8"×44" L=7	2	2	
10	★		针夹组件L	Needle clamp assy,L	1	1	58□50□
11	★		针夹组件R	Needle clamp assy,R	1	1	58□50□
12	129S15006	013660412	螺钉SM1/8"×40 L=4	Screw,SM1/8"×40 L=4	2	2	58450/58750
13	129S15007	S13085001	螺钉SM1/8"×40 L=5.5	Screw,SM1/8"×40 L=5.5	2	2	58450/58750
14	117S11023	149831101	螺钉SM1/8"×40 L=7	Screw,SM1/8"×40 L=7	2	2	58450/58750
★参考针位组零件明细表/★Reference gauge parts list							

## I. 下轴部件/Lower shaft mechanism

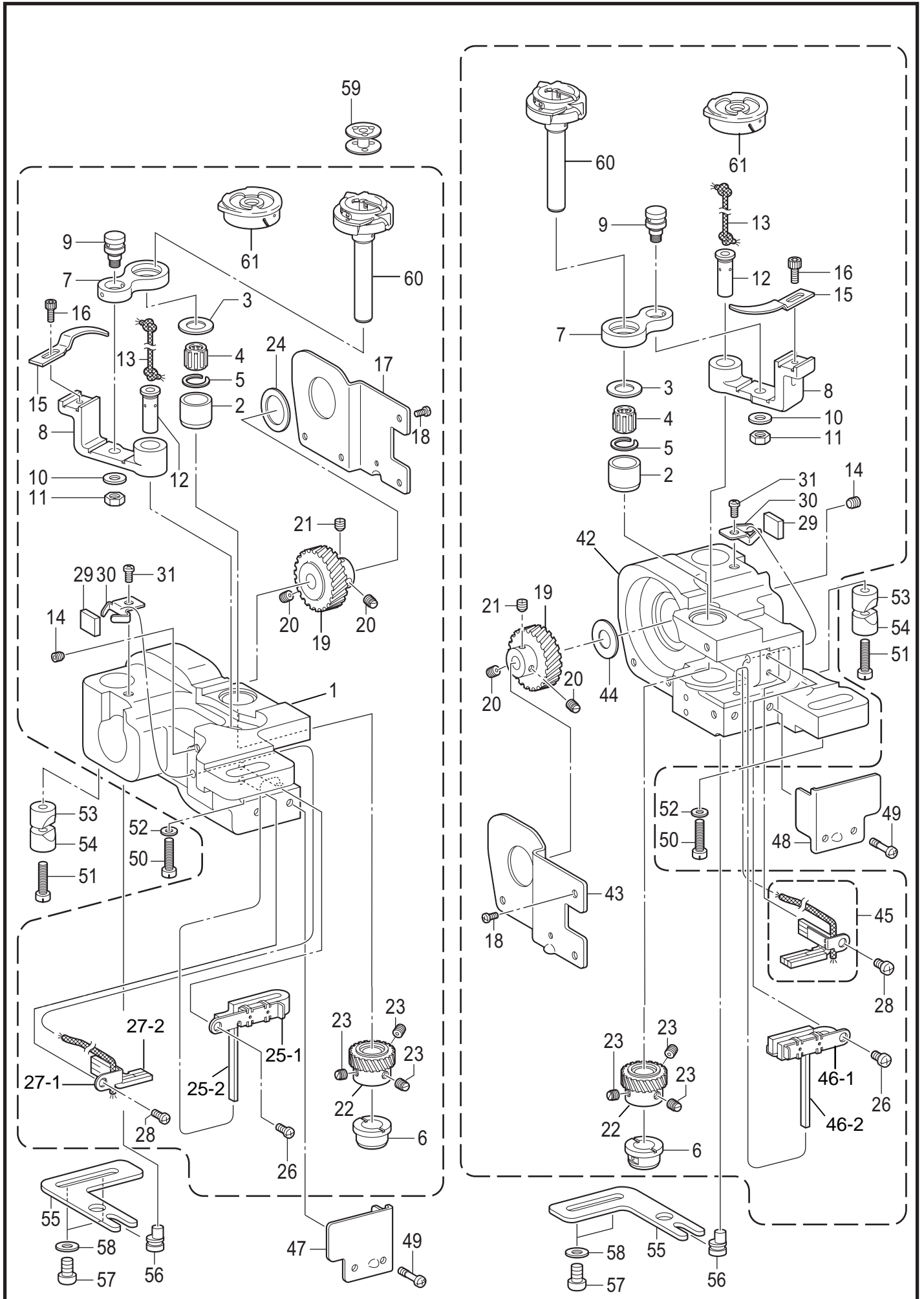
No.	件号 Part No.	参考件号 Ref.Part No.	零部件名称	Name of parts	数量 Amt.		备注
					□□3	□□5	
1	12903011	SA3890001	旋梭基座轴套L	Rotary hook base bush,L	1	1	
2	12923023	SA4585001	油毡	Felt	1	1	
3	12303001		旋梭基座轴套R	Rotary hook base bush,R	1	1	58□□0J
	12903012	SA3891001	旋梭基座轴套R	Rotary hook base bush,R	1	1	58□□0B
4	12923023	SA4585001	油毡	Felt	1	1	
5	12902010	SA2571001	下轴	Lower shaft	1	1	
6	12910005	SA2759001	抬压凸轮	F-lifting eccentric wheel assy	1	1	58□□0B
	12910302	SA2580101	上下偏心轮	F-lifting eccentric wheel assy	1	1	58□□0J
7	S07004	SA2575001	螺钉M6×0.75 L=6	Set screw,(ft)M6×0.75 L=6	1	1	
8	12903013	SA2584001	轴承套	Ball bearing bush	1	1	
9	B10002	S38707001	球轴承 6004ZZNR	Ball bearing,thrust 6004ZZNR	1	1	
10	S10020	SA2585001	固定螺钉M6×0.75 L=10	Screw,socket(ft)M6×0.75 L=10	1	1	
11	S09017	S23651001	固定螺钉M6×0.75 L=10	Screw,socket(ft)M6×0.75 L=10	1	1	
12	12935004	SA2587101	同步轮D组件	Timing pulley assy,D	1	1	
13	B10009	158115001	球轴承 6204ZZNR	Ball bearing,thrust 6204ZZNR	1	1	
14	S10020	SA2585001	固定螺钉M6×0.75 L=10	Screw,socket(ft)M6×0.75 L=10	1	1	
15	S10023	SA4213001	固定螺钉M6×0.75 L=10	Screw,socket(CP)M6×0.75 L=10	1	1	





# J1.旋梭部件/Rotary hook mechanism(58 0B)

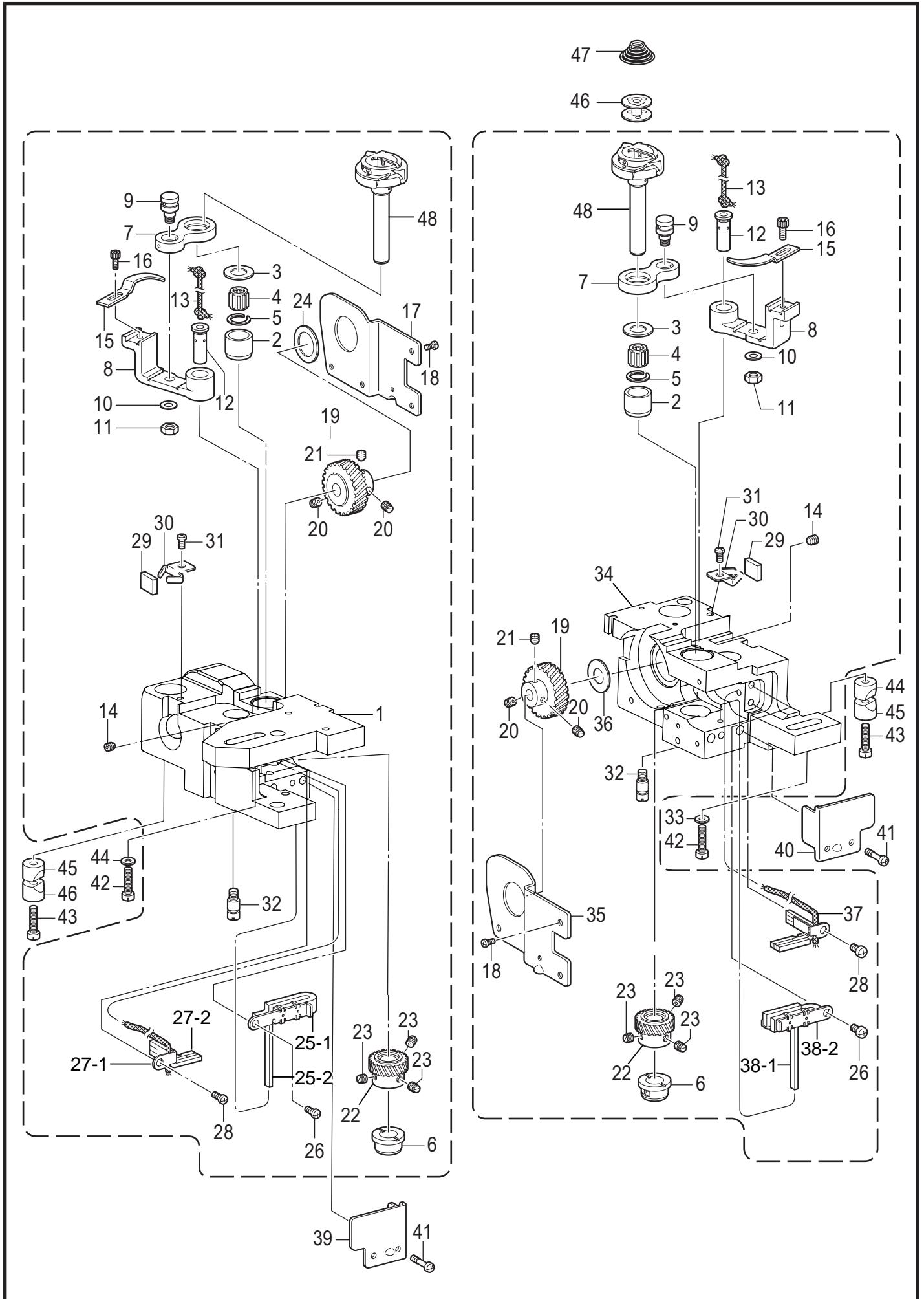
序号 No.	件号 Part No.	参考件号 Ref.Part No.	零部件名称	Name of parts	数量 Amt.		备注
					□□3	□□5	
1	12918008	SA2955001	梭架(左)	Rotary hook base(L)	1	1	58420B/58450B
	12918201	SA2959001	梭架(左)	Rotary hook base(L)	1	1	58720B/58750B
2	11603011	SA4029001	旋轴上轴套	Rotary hook shaft bush	2	2	58420B/58450B
	11803001	S09259001	旋轴上轴套	Rotary hook shaft bush	2	2	58720B/58750B
3	12928004	S09260001	轴向垫圈A 1.2MM	Thrust ring,A:1.2MM<t=1.2>	2	2	
	12928005	SA4038001	轴向垫圈1.0MM	Thrust ring<t=1.0>	2	2	
	12928006	S09261001	轴向垫圈B 1.4MM	Thrust ring,B:1.4MM<t=1.4>	2	2	
	12928007	SA4444001	轴向垫圈B 0.8MM	Thrust ring,0.8MM<t=0.8>	2	2	
4	11624004	S07420000	滚针轴承	Needle bearing	2	2	
5	11629004	S07419001	梭轴上轴挡圈	Retaining ring	2	2	
6	12903008	SA6474001	旋梭轴套D	Rotary hook shaft bush	2	2	
7	12905013	SA3856001	分线钩连杆	Opener link	2	2	58420B/58450B
	12905303	SA3857001	分线钩连杆	Opener link	2	2	58720B/58750B
8	12905014	SA3859001	分线钩杆	Opener lever	2	2	58420B/58450B
	12905304	SA3861001	分线钩杆	Opener lever	2	2	58720B/58750B
9	12902009	SA2560001	分线钩连杆轴	Shaft,Olink	2	2	
10	12928008	025710132	平垫圈	Washer,plain	2	2	
11	N01017	021500316	六角螺母M5	Nut3 M5	2	2	
12	12926009	SA3889101	分线钩杆短轴	Olever shaft	2	2	
13	12923018	SA4026001	油线 4×4 L=100	Wick,4×4L=100	2	2	
14	S09019	012501031	螺钉M5×5	Set screw,socket(ft)M5×5	2	2	
15	11612014	S38212001	分线钩	Opener	2	2	
16	129513003	154965001	螺钉SM3.57×8	Bolt,socket SM3.75×8	2	2	
17	12912024	SA2562201	旋梭基座盖L	Rotary hook base cover,L	1	1	
18	S04037	062300612	螺钉M3×6	Screw,pan M3×6	8	8	
19	12925003	SA2572001	螺旋齿轮(大)	Spiral gear	2	2	
20	S08007	SA2574001	螺钉M6×0.75 L=5	Set screw,(ft)M6×0.75 L=5	4	4	
21	S07009	SA2575001	螺钉M6×0.75 L=6	Set screw,(ft)M6×0.75 L=6	2	2	
22	12925004	SA6301001	螺旋齿轮(小)	Spiral gear	2	2	
23	S10063	SA2574001	螺钉M6×0.75 L=5	Set screw,(ft)M6×0.75 L=5	6	6	
24	12928009	SA3054001	垫圈 L	Thrust washer,L	1	1	
25-1	12912055		油毡架	Felt support	1	1	
25-2	12923032	SA6424101	油毡	Felt	1	1	
26	S04035	062400616	螺钉M4×6	Screw,pan M4×6	2	2	
27-1	12912054		油毡架	Felt support	1	1	
27-2	12923016	SA4044001	油毡	Felt	2	2	
28	S04035	062400616	螺钉M4×6	Screw,pan M4×6	2	2	
29	12923008	SA4012001	油毡	Felt	2	2	
30	12912027	SA3894001	油毡架	Felt support	2	2	
31	S04035	062400616	螺钉M4×6	Screw,pan M4×6	2	2	
42	12918009	SA3956001	梭架(右)	Rotary hook base(R)	1	1	58420B/58450B
	12918202	SA3960001	梭架(右)	Rotary hook base(R)	1	1	58720B/58750B
43	12912028	SA2563301	旋梭基座盖R	Rotary hook base cover,R	1	1	58□□0B
44	12928010	SA2579001	垫圈	Specer	1	1	
45	12912052	SA6425101	油毡架UR	Felt support UR	1	1	
46-1	12912053	SA4045001	油毡架DR	Felt support DR	1	1	
46-2	12923015		油毡	Felt	1	1	



# J1.旋梭部件/Rotary hook mechanism(58 OJ-B)

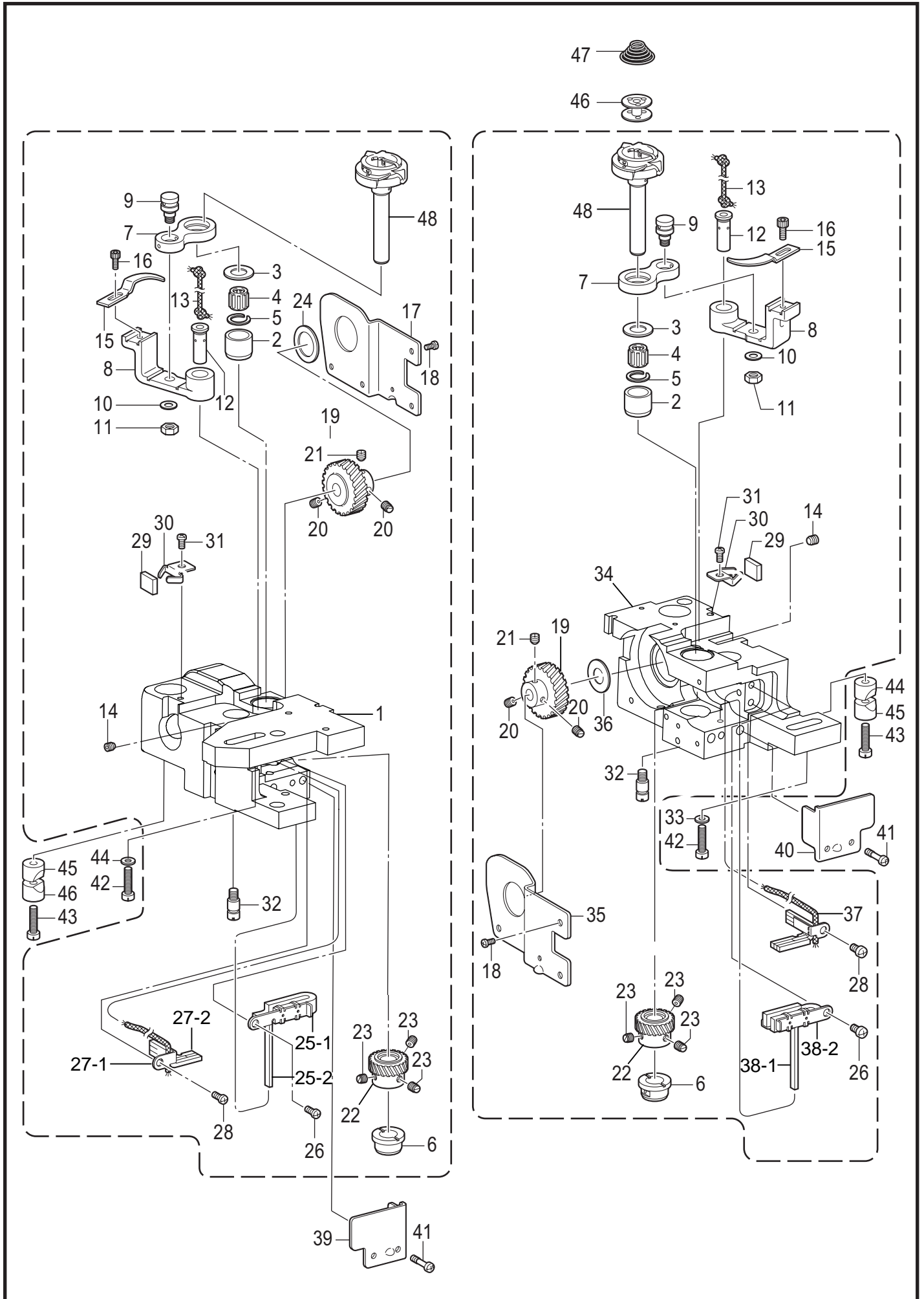
序号 No.	件号 Part No.	参考件号 Ref.Part No.	零部件名称	Name of parts	数量 Amt.		备注
					□□3	□□5	
47	12912031	SA6462001	旋梭基座盖FL	Rotary hook base cover,FL	1	1	
48	12912032	SA6463001	旋梭基座盖FR	Rotary hook base cover,FR	1	1	
49	129S30011	SA6417001	螺钉M4×12	Screw,M4×12	4	4	
50	129S11003	SA2556001	螺钉M6×25	Screw,M6×25	2	2	
51	129S11003	SA2556001	螺钉M6×25	Screw,M6×25	2	2	
52	20628003	115947101	主轴右垫片	Washer,plain 6.35	2	2	
53	12903009	SA2722001	套管A	Pinch sleeve A	2	2	
54	12903010	SA2565001	套管B	Pinch sleeve B	2	2	
55	12912033	SA2567001	调节板	Needle upper positioning plate	2	2	58□□0B
56	12910004	SA2568001	调节轴	Needle upper positioning shaft	2	2	58□□0B
57	S04038	062061016	螺钉M6×10	Screw,pan M6×10	4	4	58□□0B
58	W01003	025060136	平垫圈S6	Washer,plain S6	4	4	58□□0B
59	11618001	S01928151	梭芯	Bobbin	2	2	58420/58450
	11818001	S09285051	梭芯	Bobbin	2	2	58720/58750
60	1291800600		旋梭组件	Rotary hook assy	2		58420B-003
	1291800700		旋梭组件	Rotary hook assy		2	58420B-005
	1161800400		旋梭组件(国产)	Rotary hook assy(C)	2	2	58420B-C
	1171800100		旋梭组件	Rotary hook assy	2	2	58450B
	1291802600		旋梭组件(国产)	Rotary hook assy(C)	2	2	58450B-C
	1181800200		旋梭组件	Rotary hook assy	2	2	58720B
	1291802700		旋梭组件(国产)	Rotary hook assy(C)	2	2	58720B-C
	1191800100		旋梭组件	Rotary hook assy	2	2	58750B
	1191800400		旋梭组件(国产)	Rotary hook assy(C)	2	2	58750B-C
	61	12918029		梭心套(国产)	Bobbin case assy(C)	2	2
12918030			梭心套(国产)	Bobbin case assy(C)	2	2	58750B-C

※序号 C表示国产旋梭



## J2.旋梭部件/Rotary hook mechanism(58 0J)

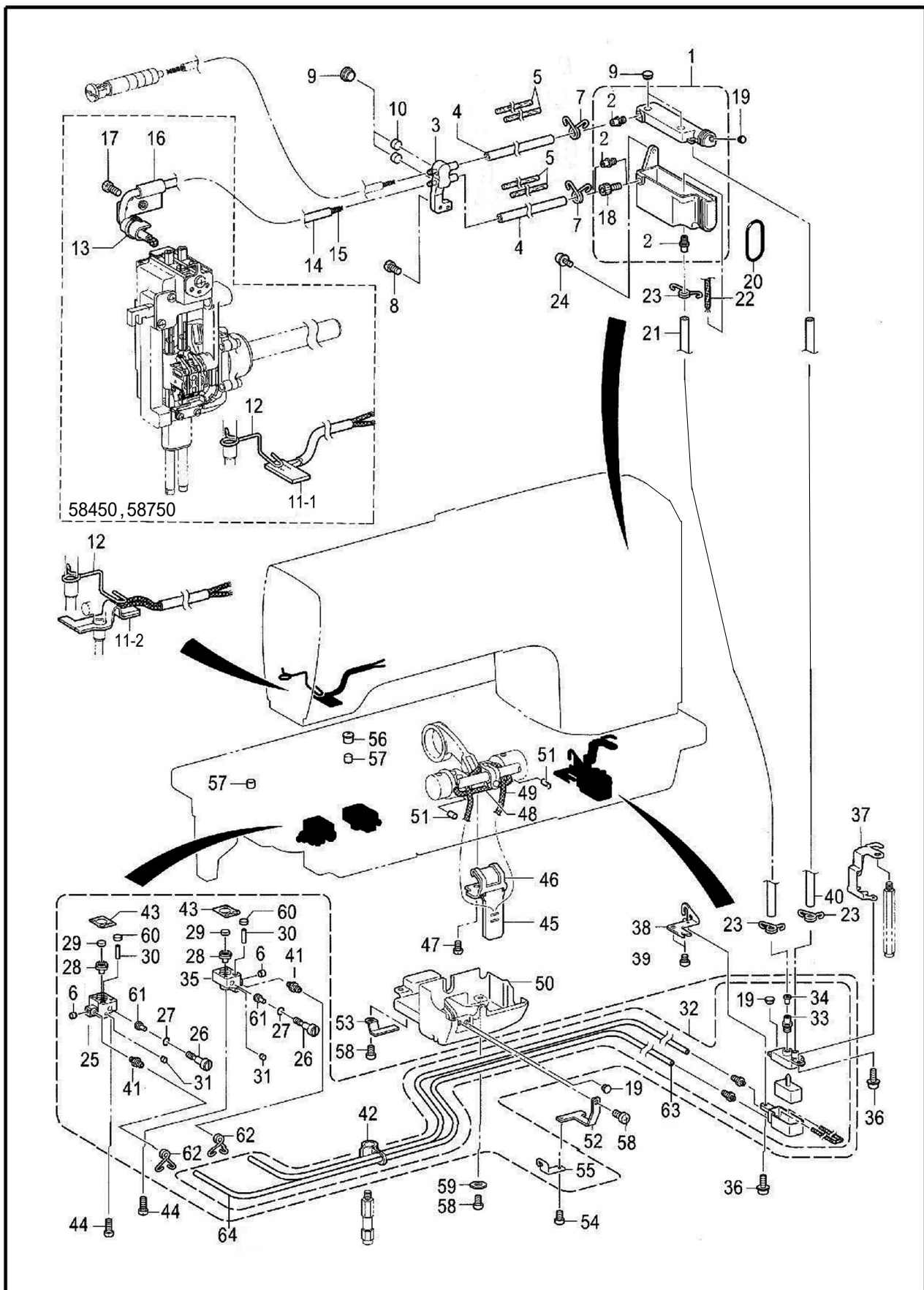
序号 No.	件号 Part No.	参考件号 Ref.Part No.	零部件名称	Name of parts	数量 Amt.		备注
					□□3	□□5	
1	12301006		梭架(左)	Rotary hook base(L)	1	1	58420J/58450J
	12301008		梭架(左)	Rotary hook base(L)	1	1	58720J/58750J
2	11603011	SA4029001	旋轴上轴套	Rotary hook shaft bush	2	2	58420J/58450J
	11803001	S09259001	旋轴上轴套	Rotary hook shaft bush	2	2	58720J/58750J
3	12928004	S09260001	轴向垫圈A 1.2MM	Thrust ring,A:1.2MM<t=1.2>	2	2	
	12928005	SA4038001	轴向垫圈1.0MM	Thrust ring<t=1.0>	2	2	
	12928006	S09261001	轴向垫圈B 1.4MM	Thrust ring,B:1.4MM<t=1.4>	2	2	
	12928007	SA4444001	轴向垫圈B 0.8MM	Thrust ring,0.8MM<t=0.8>	2	2	
4	11624004	S07420000	滚针轴承	Needle bearing	2	2	
5	11629004	S07419001	梭轴上轴挡圈	Retaining ring	2	2	
6	12903008	SA6474001	旋梭轴套D	Rotary hook shaft bush	2	2	
7	12905013	SA3856001	分线钩连杆	Opener link	2	2	58420J/58450J
	12905303	SA3857001	分线钩连杆	Opener link	2	2	58720J/58750J
8	12905014	SA3859001	分线钩杆	Opener lever	2	2	58420J/58450J
	12905304	SA3861001	分线钩杆	Opener lever	2	2	58720J/58750J
9	12902009	SA2560001	分线钩连杆轴	Shaft,Olink	2	2	
10	12928008	025710132	平垫圈	Washer,plain	2	2	
11	N01017	021500316	六角螺母M5	Nut3 M5	2	2	
12	12926009	SA3889101	分线钩杆短轴	Olever shaft	2	2	
13	12923018	SA4026001	油线 4×4 L=100	Wick,4×4L=100	2	2	
14	S09019	012501031	螺钉M5×5	Set screw,socket(ft)M5×5	2	2	
15	11612014	S38212001	分线钩	Opener	2	2	
16	129S13003	154965001	螺钉SM3.57×8	Bolt,socket SM3.75×8	2	2	
17	12912024	SA2562201	旋梭基座盖L	Rotary hook base cover,L	1	1	
18	S04037	062300612	螺钉M3×6	Screw,pan M3×6	8	8	
19	12925003	SA2572001	螺旋齿轮(大)	Spiral gear	2	2	
20	s08007	SA2574001	螺钉M6×0.75 L=5	Set screw,(ft)M6×0.75 L=5	4	4	
21	S07009	SA2575001	螺钉M6×0.75 L=6	Set screw,(ft)M6×0.75 L=6	2	2	
22	12925004	SA6301001	螺旋齿轮(小)	Spiral gear	2	2	
23	S10063	SA2574001	螺钉M6×0.75 L=5	Set screw,(ft)M6×0.75 L=5	6	6	
24	12928009	SA3054001	垫圈 L	Thrust washer,L	1	1	
25-1	12912055		油毡架	Felt support	1	1	
25-2	12923032	SA6424101	油毡	Felt	1	1	
26	S04035	062400616	螺钉M4×6	Screw,pan M4×6	2	2	
27-1	12912054		油毡架	Felt support	1	1	
27-2	12923016	SA4044001	油毡	Felt	2	2	
28	S04035	062400616	螺钉M4×6	Screw,pan M4×6	2	2	
29	12923008	SA4012001	油毡	Felt	2	2	
30	12912027	SA3894001	油毡架	Felt support	2	2	
31	S04035	062400616	螺钉M4×6	Screw,pan M4×6	2	2	
32	129S20301	SA2717001	定位螺钉	Stopper screw	2	2	58420J
33	20628003	115947101	主轴右垫片	Washer,plain 6.35	2	2	



J2.旋梭部件/Rotary hook mechanism(58 0J)

序号 No.	件号 Part No.	参考件号 Ref.Part No.	零部件名称	Name of parts	数量 Amt.		备注
					□□3	□□5	
34	12301007		梭架(右)	Rotary hook base(R)	1	1	58420J/58450J
	12301009		梭架(右)	Rotary hook base(R)	1	1	58720J/58750J
35	12312015		旋梭基座盖R	Rotary hook base cover,R	1	1	58□□0J
36	12928010	SA2579001	垫圈	Specer	1	1	
37	12912052	SA6425101	油毡架UR	Felt support UR	1	1	
38-1	12923015		油毡	Felt	1	1	
38-2	12912053	SA4045001	油毡架DR	Felt support DR	1	1	
39	12912031	SA6462001	旋梭基座盖FL	Rotary hook base cover,FL	1	1	
40	12912032	SA6463001	旋梭基座盖FR	Rotary hook base cover,FR	1	1	
41	129S30011	SA6417001	螺钉M4×12	Screw,M4×12	4	4	
42	129S11003	SA2556001	螺钉M6×25	Screw,M6×25	2	2	
43	129S11003	SA2556001	螺钉M6×25	Screw,M6×25	2	2	
44	12903009	SA2722001	套管A	Pinch sleeve A	2	2	
45	12903010	SA2565001	套管B	Pinch sleeve B	2	2	
46	11618001	S01928151	梭芯	Bobbin	2	2	58420J/58450J
	11818001	S09285051	梭芯	Bobbin	2	2	58720J/58750J
47	12918022	148602001	梭心座簧	Bobbin Spring	2	2	58420J/58450J
	12918024	S09286000	梭心座簧	Bobbin Spring	2	2	58720J/58750J
48	1291801400		旋梭组件	Rotary hook assy	2	2	58420J
	1291801500		旋梭组件	Rotary hook assy	2	2	58450J
	1291801600		旋梭组件	Rotary hook assy	2	2	58720J
	1291801700		旋梭组件	Rotary hook assy	2	2	58750J

# K. 供油润滑部件/Lubrication

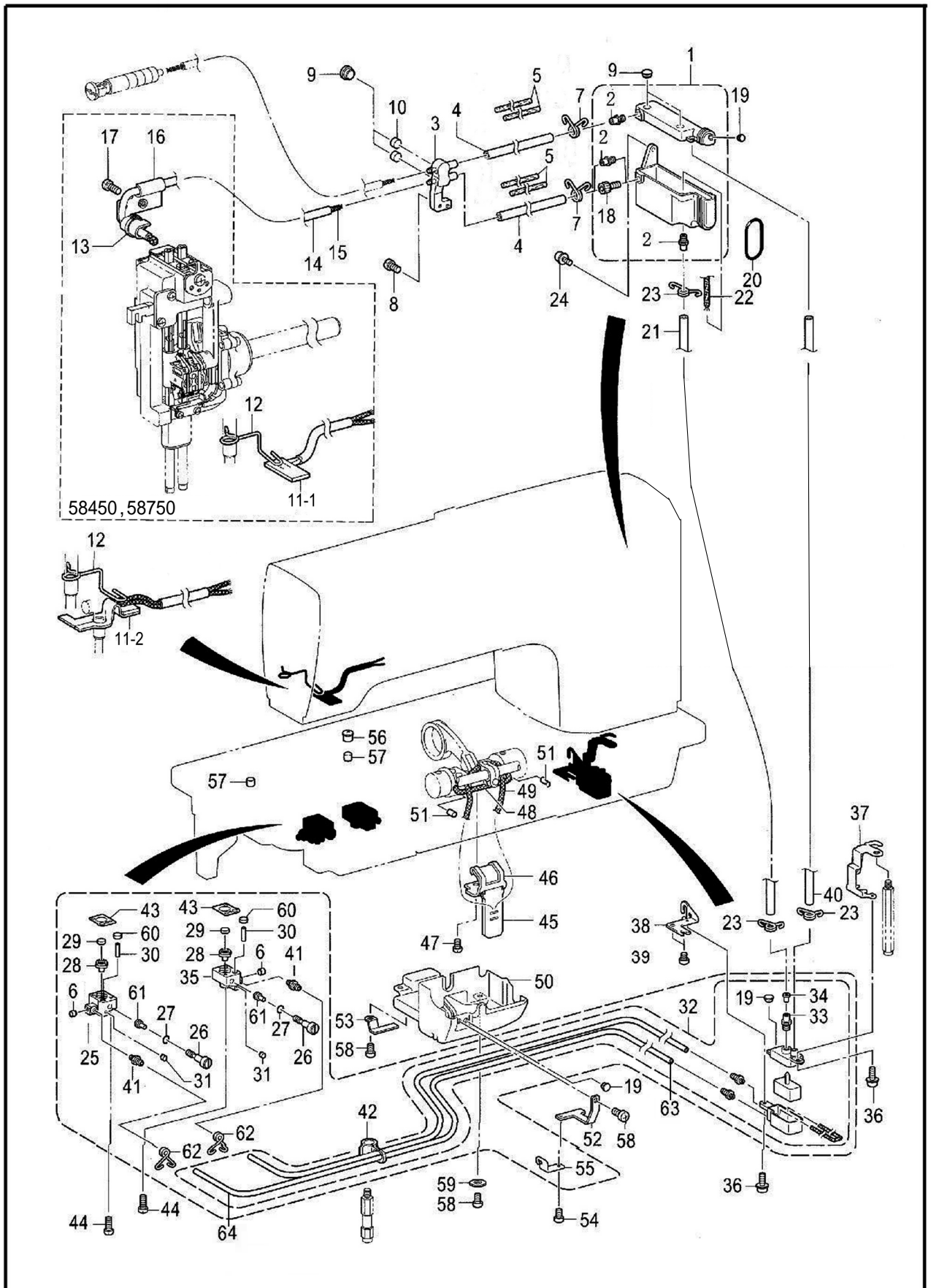




## K.供油润滑部件/Lubrication

序号 No.	件号 Part No.	参考件号 Ref.Part No.	零部件名称	Name of parts	数量 Amt.		备注
					□□3	□□5	
1	12911004	SA4205101	油罐组件	Oil tank assy	1	1	
2	129S30009	SA3040001	供油口 8.6	Oil feeding pipe,8.6	2	2	58420/58720
	129S30009	SA3040001	供油口 8.6	Oil feeding pipe,8.6	4	4	58450/58750
3	12936002	SA3946001	油管接头	Oil terminal	1	1	
4	12921006	SA2956001	维尼龙油管L=135	Oil tube,L=135	1	1	
	12921006	SA2956001	维尼龙油管L=135	Oil tube,L=135	2	2	58450/58750
5	12923018		油线 4×4 L=400	Wick,4×4 L=400	2	2	
	12923018		油线 4×4 L=400	Wick,4×4 L=400	4	4	58450/58750
6	12922009	140327001	橡皮塞6.3	Rubber cap,6.3	2	2	
7	12912038	SA3055101	油管夹	Tube clip	2	2	
	12912038	SA3055101	油管夹	Tube clip	4	4	58450/58750
8	S04028	062500816	螺钉M5×8	Screw,pan M5×8	1	1	
9	12922001	SA2929001	橡皮塞12.5	Rubber cap,12.5	3	3	
	12922001	SA2929001	橡皮塞12.5	Rubber cap,12.5	4	4	58450/58750
10	12923010	S38266000	油毡	Rotary hook shaft felt	1	1	
	12923010	S38266000	油毡	Rotary hook shaft felt	2	2	58450/58750
11-1	12923035		油毡块	Felt assy	1	1	
11-2	12923036		油毡垫	Felt assy	1	1	58420/58720
12	12912035	SA4033101	油毡压架	Felt support	1	1	
13	61910003		尼龙扎带3×80	Cable band 3×80	2	2	
14	12921002		油管L=280	Tube L=280	1	1	58450/58750
15	12923018		油线 4×4 L=380	Wick, 4×4 L=380	1	1	
16	12912065	SA5154001	油管支架	Tube support	1	1	58450/58750
17	S04028		螺钉M5×8	Screw,pan M5×8	1	1	58450/58750
18	S05079	018081236	螺栓M8×12	Bolt,socket M8×12	1	1	58420/58720
19	12922006		橡皮塞8	Rubber cap,8	1	1	
20	12922013	081038070	O形圈P38	O ring P38	1	1	
21	12921006	SA2723001	维尼龙油管L=210	Oil tube,L=210	1	1	
22	12923019	SA2724001	油线L=400	Wick,L=400	1	1	
23	12912038	SA3055101	油管夹	Tube clip	3	3	
24	129S30016	0A5501006	螺栓(带垫圈)M5	Screw,pan(S/P washer)M5×10	2	2	
25	12901007	SA3896001	集油器L	Oil block,L	1	1	
26	129S20004	SA6475001	油量调整螺栓	Oil adjusting screw	2	2	
27	O01004	081004070	O形圈P4	O ring P4	2	2	
28	12922007	SA6468001	橡皮垫片	Rubber packing	2	2	
29	12922008	SA6423001	旋梭轴垫片	Rotary hook shaft felt	2	2	
30	12923012	SA6415001	油毡	Felt	2	2	
31	12922016	142274101	橡皮塞4.3	Rubber cap,4.3	2	2	
32	12911005	SA3037001	副油罐组件	Subtank assy	1	1	
33	12936004		供油口 8.6	Oil feeding pipe	1	1	
34	12922010	SA3060001	油门垫片	Valve packing	1	1	
35	12901008	SA3898001	集油器R	Oil block,R	1	1	
36	129S30017	0A4400806	螺栓(带垫圈)M4	Screw,pan(S/P washer)M4×8	2	2	
37	12912036	SA3045201	副油罐安装架A	Subtank setting plate,A	1	1	
38	12912037	SA3046001	副油罐安装架B	Subtank setting plate,B	1	1	
39	S04033	062060816	螺钉M6×8	Screw,pan M6×8	2	2	
40	12921006	SA3044001	维尼龙油管L=242	Oil tube,L=242	1	1	
41	12936003	S51815001	油嘴管3.8	Oil feeding pipe,3.8	4	4	
42	12911006	SA6472001	油管固定夹	Tube support	1	1	
43	12928011	SA3923101	旋梭台D垫片	Rotary hook base D packing	2	2	
44	S04039	062401616	螺钉M4×16	Screw,pan M4×16	4	4	
45	12923014	SA2604001	油毡	Felt	1	1	
46	12912039	SA2605001	油毡压架	Felt support	1	1	
47	S04030	062500616	螺钉M5×6	Screw,pan M5×6	1	1	

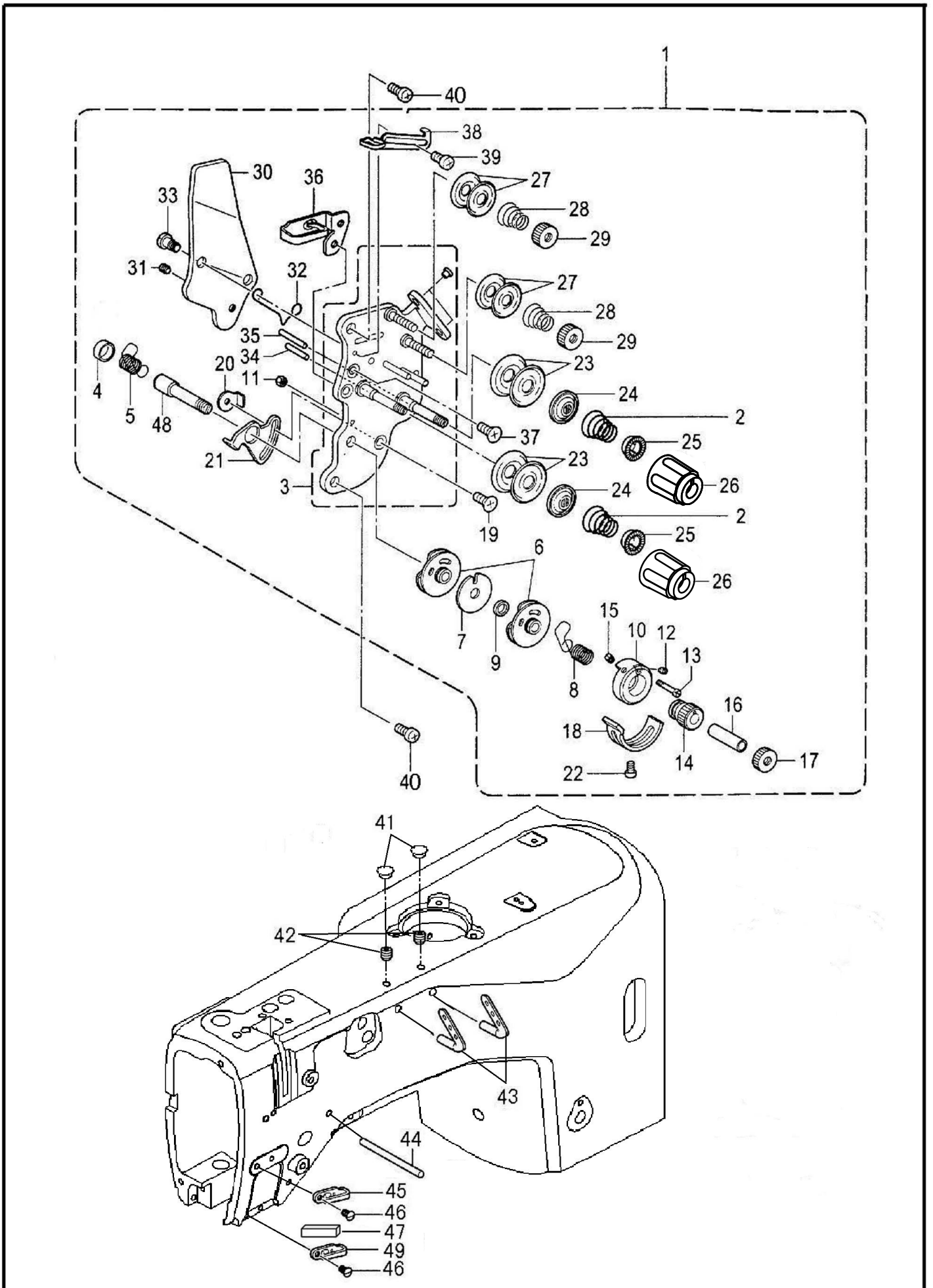
# K. 供油润滑部件/Lubrication



## K.供油润滑部件/Lubrication

序号 No.	件号 Part No.	参考件号 Ref.Part No.	零部件名称	Name of parts	数量 Amt.		备注
					□□3	□□5	
48	12923018	109405001	油线 4×4 L=100	Wick,4×4 L=100	1	1	
49	20123021	108801001	油线 4×4 L=350	Wick,4×4 L=350	1	1	
50	12911007	SA2606101	油盖	Oil cover	1	1	
51	12923012	148743001	油毡	Felt	2	2	
52	12912040	SA3048101	油管压架A	Tube support,A	1	1	
53	12912041	SA3049001	油管压架B	Tube support,B	1	1	
54	S04035	062400616	螺钉M4×6	Screw,pan M4×6	1	1	
55	12912042	SA6473001	油管导向	Tube guide	1	1	
56	12922012	140890009	油盖	Oil cap	1	1	
57	12923030	112753001	油毡	Felt	2	2	
58	S04038	062061016	螺钉M6×10	Screw,pan M6×10	3	3	
59	W01003	025060236	平垫圈M6	Washer,plain M6	1	1	
60	12923037	SA6423001	旋梭轴油毡	Rotary hook shaft felt	2	2	
61	12926013	SA6416001	油量调节销	Rubber presser	2	2	
62	12927020	SA4508001	油管夹	Tube clip	4	4	
63	12923050		油毡	Felt	2	2	
64	12921005		油管(φ4×φ6)	Tube(φ4×φ6)	2	2	

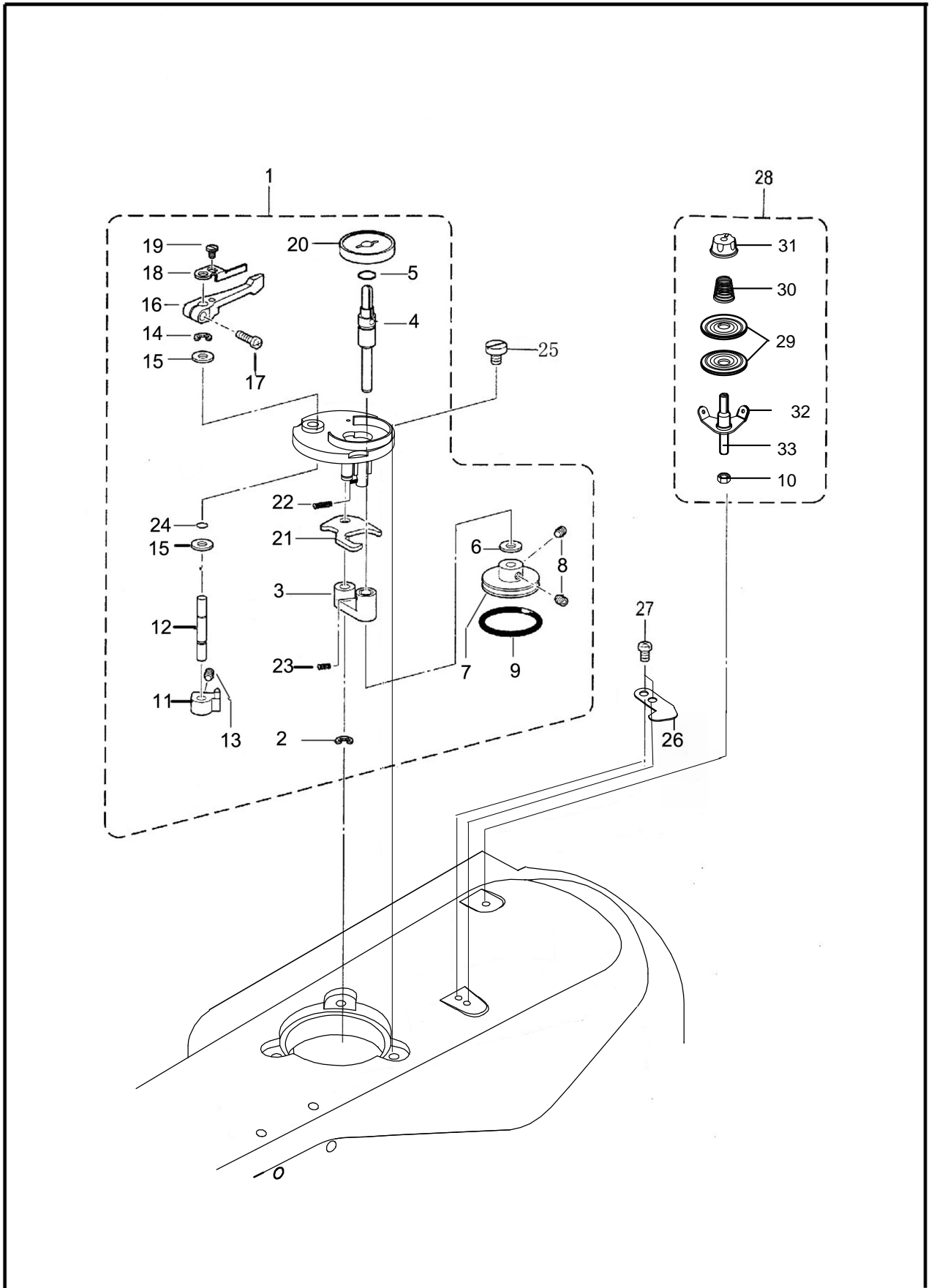
L.穿线部件/Thread Mechanism



## L.穿线部件/Thread Mechanism

序号 No.	件号 Part No.	参考件号 Ref.Part No.	零部件名称	Name of parts	数量 Amt.		备注
					□□3	□□5	
1	1231300200	SA3417301	面线调节组件3	Upper Thread Tension Assy , 3	1		
2	12927008	SA3415001	夹线弹簧-3	Tension Spring , L	2		
1	1291300400	SA2607301	面线调节组件5	Upper Thread Tension Assy , 5		1	
2	12927009	SA3416101	夹线弹簧-5	Tension Spring , LL		2	
3	12912043	SA4212001	调整台组件	Tension Plate Assy	1	1	
4	12922020	SA2613001	盖子	Cap	1	1	
5	12927010	SA2614201	弹簧L	Thread Takeup Spring,L	1	1	
6	1291300500	SA2615001	导向组件	Guide Assy,T/Takeup Spring	2	2	
7	12928035	SA2619001	垫片	Spacer	1	1	
8	12927011	SA2623201	弹簧R	Thread Takeup Spring,R	1	1	
9	12903014	SA2620001	轴套	Collar	1	1	
10	12908006	SA2621001	定位圈	Stopper Support	1	1	
11	N01013	021300106	螺母M3	Nut,1M3	1	1	
12	129S15006	SA2626001	螺钉M3.5	Set screw,(cp)M3.5	1	1	
13	129S11008	SA2624001	固定螺栓	Spring guide set screw	1	1	
14	12913022	SA2625001	调节旋钮	Adujsting thumb	1	1	
15	129S15006	SA2626001	螺钉M3.5	Set screw,(cp)M3.5	1	1	
16	12903015	SA2627001	轴套	Collar	1	1	
17	129S30044	SA2628001	调线螺母	Tension nut	1	1	
18	12912044	SA2629001	弹簧限位板	Stopper	1	1	
19	129S17004	061350616	螺钉M3.5×6	Screw,flat M3.5×6	1	1	
20	12912084	SA2824001	定位螺钉M3.5	Nut,whirlstop M3.5	1	1	
21	12912045	SA2630001	限位板	Stopper	1	1	
22	129S30026	062350512	螺钉M3.5×5	Screw,pan M3.5×5	1	1	
23	12913007	145446001	夹线盘	Disc,tension	4	4	
24	12913008	159805001	夹线压盘	Tension disc presser	2	2	
25	12911008	S20681000	调节弹簧垫圈	Wacher	2	2	
26	123S16002	S20682105	调节螺母	Tension nut	2	2	
27	12928036	144504001	小夹线垫片	Thread guide disc	4	4	
28	12927012	154560101	小夹线弹簧A	Pretension spring,A	2	2	
29	129S30012	155510001	夹线螺母	Tension nut	2	2	
30	12913009	SA2632001	松线板	Tension releade plate	1	1	
31	S09019	012500536	螺钉M5×5	Set screw,socket(ft)M5×5	1	1	
32	12927013	S38274001	松线弹簧	Treleadw spring	1	1	
33	129S30020	SA2633001	段螺钉M3.5	Shoulder screw,M3.5	2	2	
34	12926011	SA4506001	松线销L	Tension release pin,L	1	1	
35	12926012	SA4507001	松线销R	Tension release pin,R	1	1	
36	12912046	SA2634001	线导向U	Thread guide,U:arm	1	1	
37	129S17004	061350616	螺钉M3.5×6	Screw,flat M3.5×6	2	2	
38	12912047	SA2635001	线调整	Thread quantity adjust	1	1	
39	129S30027	062300616	螺钉M3×6	Screw,pan M3×6	1	1	
40	S04028	062500816	螺钉M5×8	Screw,pan M5×8	2	2	
41	13822001		三眼线钩固定螺钉孔塞	Rubber plug	2	2	
42	S10019	012060636	螺钉M6×6	Set screw,socket(ft)M6×6	2	2	
43	12313001		三眼线勾	Thread retainer	2	2	
44	12902011	SA2637001	松线轴	Bar,tension release	1	1	
45	12912049	SA2638001	线导向M	Thread guide,M:arm	1	1	
46	129S17002	SA2640001	螺钉M5×8	Screw,flat M5×8	2	2	
47	11623022	114941001	过线钩毡	Felt	1	1	58□□0B
48	12926010	SA6378001	调整短轴	Tension Stud	1	1	
49	12912048	SA2639001	线导向D	Thread guide,D:arm	1	1	58□□0B
	12912049	SA2638001	线导向M	Thread guide,M:arm	1	1	58□□0J

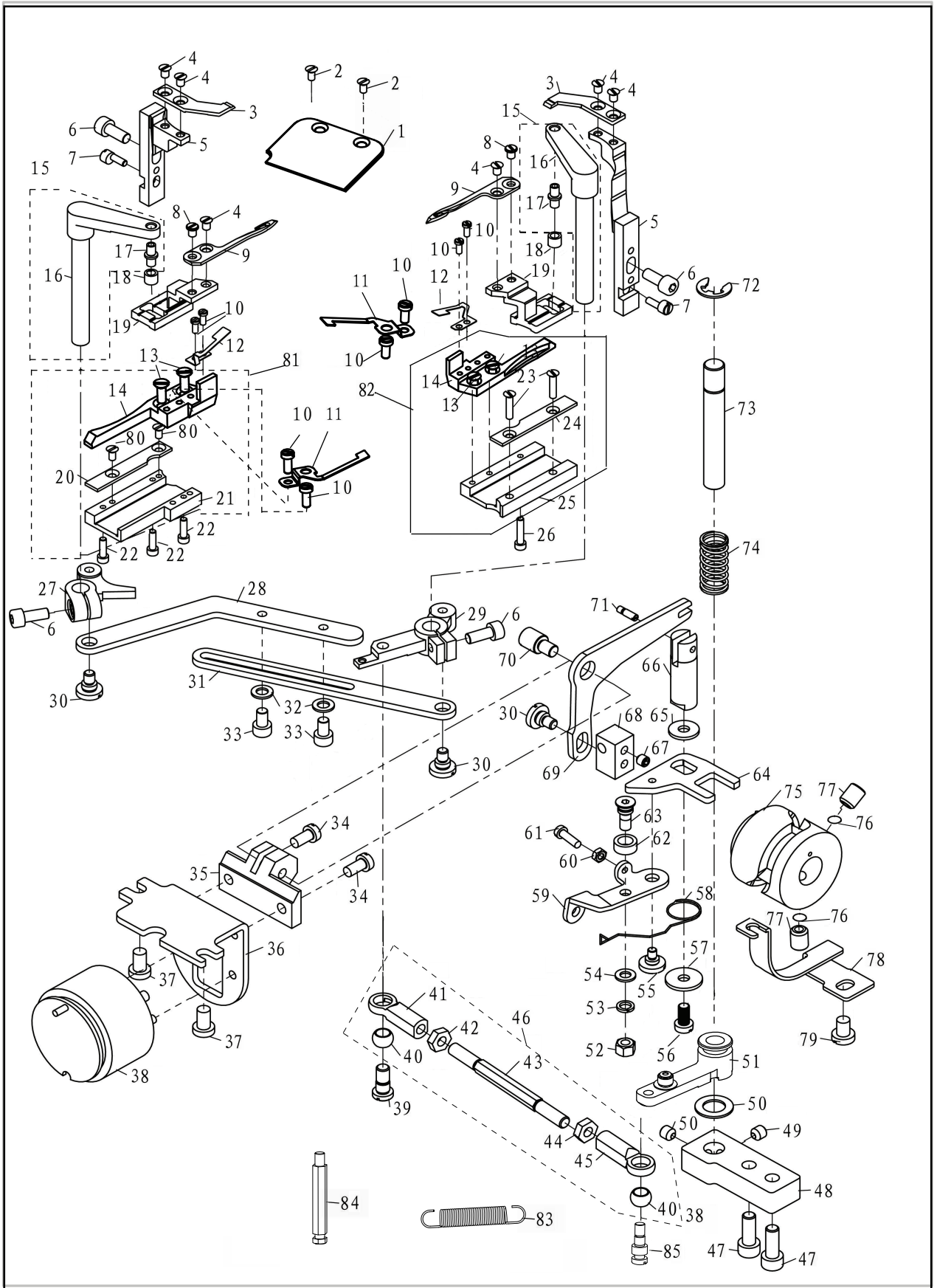
N. 卷线部件/Bobbin Winder Mechanism



## N.卷线部件/Bobbin Winder Mechanism

序号 No	件号 Part No.	参考件号 Ref.Part No.	零部件名称	Name of parts	数量 Amt.		备注
					□□3	□□5	
1	1233100400	SA1971101	卷线器组件	Bobbin Winder Unit	1	1	
2	H05012	048040342	挡圈E4	Retaining Ring,E4	1	1	
3	1231100900	SA1975001	卷线轴基座	B-Winder Shaft Support Assy	1	1	
4	12302002	SA1978001	绕线轴	Bobbin Winder Shaft	1	1	
5	O01008	081009070	O形圈P9	O Ring,P9	1	1	
6	12928021	025060136	平垫圈S6	Washer,Plain S6	1	1	
7	12935005	SA1980001	卷线轮	Bobbin Winder Wheel	1	1	
8	S09019	012500536	螺钉M5×5	Set Screw,Socket(FT)M5×5	2	2	
9	12922014	S25789000	橡皮垫圈29	Rubber Ring,29	1	1	
10	114S16001		螺母	Nut	1	1	
11	12910007	SA1982101	梭芯夹凸轮	Bobbin Presser Cam	1	1	
12	12302003	SA1983001	梭芯夹轴	Bobbin Winder Arm Shaft	1	1	
13	S09019	012500536	螺钉M5×5	Set Screw,Socket(FT)M5×5	1	1	
14	H05012	048040342	挡圈E4	Retaining Ring,E4	1	1	
15	12328001	025060136	平垫圈S6	Washer,Plain S6	2	2	
16	12304004	SA1984001	梭芯压臂柄	Bobbin Presser Arm	1	1	
17	S05231	062401216	螺钉M4×12	Screw,Pan M4×12	1	1	
18	12312009	SA1985001	梭芯夹	Bobbin Presser	1	1	
19	123S11006	S23418002	螺钉M4×5	Screw,M4×5	1	1	
20	12911009	SA1988001	梭芯座	Bobbin Support	1	1	
21	12312013	SA1989001	卷线杠杆	Bobbin Winder Lever	1	1	
22	12907014	SA1990101	弹簧	Spring	1	1	
23	12907015	SA1991001	弹簧	Bobbin Winder Base Spring	1	1	
24	12922030	SA2190001	O形密封圈	O Ring	1	1	
25	123S11015	SA1992101	绕线器固定螺钉	Bobbin Winder Fixed Screw	3	3	
26	11419001	SA1360101	割线刀	Knife	1	1	
27	114S11015		割线刀螺钉SM9/64"×40 L=6	Screw SM9/64"×40 L=6	2	2	
28	1381300600		卷线器夹线组件	Bobbin Winder Tension Assy	1	1	
29	10112005		夹线盘	Disc , Tension	2	2	
30	11427006		夹线弹簧	Tension Spring	1	1	
31	13811004		压线螺母	Tension Nut	1	1	
32	11413022		过线板	Song Line board	1	1	
33	112S13004		夹线器轴	Folder spool	1	1	

# O.切线部件/Thread trimmer mechanism

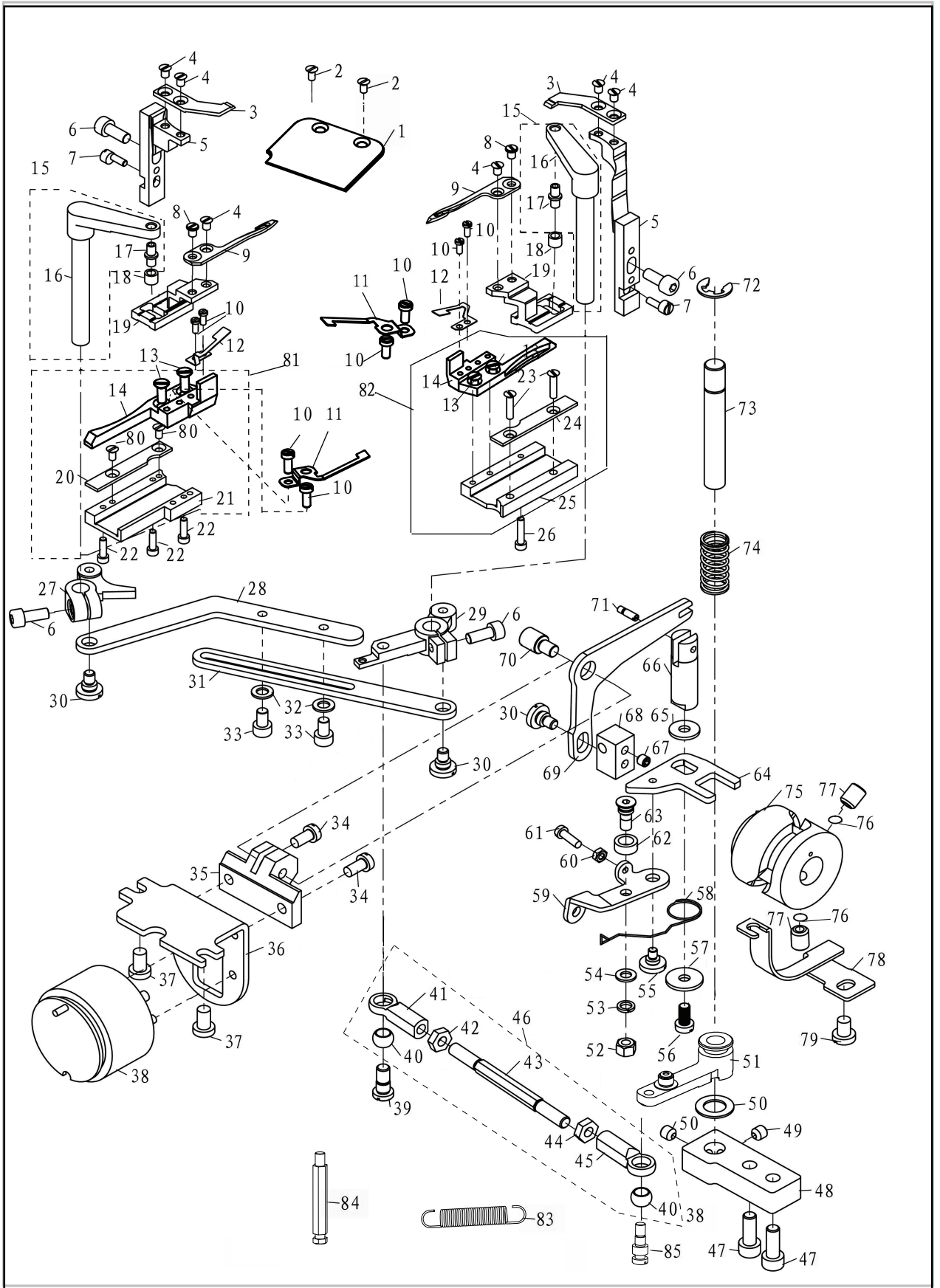




## O.切线部件/Thread trimmer mechanism

序号 No.	件号 Part No.	参考件号 Ref.Part No.	零部件名称	Name of parts	数量 Amt.		备注
					□□3	□□5	
1	12915117		剪线盖板	Cover for trimming	1	1	
2	S02003		一字沉头螺钉 M4×5	Screw M3×6	2	2	
3	12319001		定刀	Fixed knife	2	2	
4	123517001		定刀螺钉 SM9-64×40=4.5	Screw SM9/16×40 L=4.5	6	6	
5	12309001		定刀架	Fixed knife holder	2	2	
6	S05005		圆柱头内六角螺钉 M5×12	Screw M5×12	4	4	
7	123530003		定刀调节螺钉M3	Fixed knife adjustable screw	2	2	
8	305s11005		动刀螺钉SM9/64×40 L=4	Screw SM9/64×40 L=4	2	2	
9	12319002		动刀	Movable knife	2	2	
10	201511001		螺钉SM3/32"×56 L=4.7	Screw SM3/32"×56 L=4.7	8	8	
11	12327001		支撑弹簧片	Adjust spring plate	2	2	
12	12327002		底线保持簧	The bottom line to keep the spring	2	2	
13	S02034		一字沉头螺钉 M3×8	Screw M3×8	4	4	
14	12309002		动刀托架	Movable knife holder	2	2	
15	1230400100		动刀轴组件	Movable knife bar assy.	2	2	
16	12304001		动刀轴	Movable knife bar	2	2	
17	12329001		动刀驱动销	Movable knife drive pin	2	2	
18	12309003		动刀驱动滚柱	Knife drive roller	2	2	
19	12309004		动刀驱动滑块	Knife drive roller	2	2	
20	12309005		动刀导向架盖板(L)	Knife guide frame cover(L)	1	1	
21	12309006		动刀导向架(L)	Knife guide frame	1	1	
22	S05328		圆柱头内六角螺钉 M3×10	Screw M3×10	3	3	
23	S02010		一字沉头螺钉 M3×14	Screw M3×14	2	2	
24	12309007		动刀导向架盖板(R)	Knife guide frame cover(R)	1	1	
25	12309008		动刀导向架(R)	Knife guide frame	1	1	
26	S05329		圆柱头内六角螺钉 M3×14	Screw M3×14	1	1	
27	12304002		切线杠杆L	Trimming shaft L	1	1	
28	12312015		切线连杆L	Trimming connector L	1	1	
29	12304003		切线杠杆 R	Trimming shaft R	1	1	
30	129520302		轴位螺钉M5	Screw M5	3	3	
31	12912313		切线连杆R	Trimming connector R	1	1	
32	12928018		平垫圈M5	Washer 5.3	2	2	
33	S04028		螺钉 M5×8	Kcrew M5×8	2	2	
34	S04029		螺钉M5×12	Kcrew M5×12	2	2	
35	12901302		电磁铁杆支撑架	Solenoid lever bracket	1	1	
36	12912307		切线电磁铁架	Thread trimmer solenoid bracket	1	1	
37	S04038		十字一字盘头螺钉 M6×10	Kcrew M6×10	2	2	
38	1233000500		剪线电磁铁组件	Thread trimmer solenoid assy.	1	1	
39	129520307		长度调节连杆轴位螺钉	Screw	1	1	
40	12903308		套管	Bush	2	2	
41	12905302		球接连杆组件 L	Connector ASM L	1	1	
42	129516003		左旋螺母SM15/64"×28	Levorotation Nut M6	1	1	
43	123530001		长度调节连杆	Connecting Rod Length Adjustment	1	1	
44	123516003		螺母SM15/64"×28	Nut SM15/64"×28	1	1	
45	12905301		球接连杆组件 R	Connector ASM R	1	1	
46	1230500300		长度调节连杆组件	Connecting Rod Adjustment Assy	1	1	
47	S04031		螺钉M6×16	Screw,pan M6×16	2	1	
48	12912312		主杆轴架	Knife main lever shaft bracket	1	1	
49	S10019		螺钉 M6×6	Screw M6×6	2	2	
50	12928023		橡胶垫圈	Rubber cushion	1	1	
51	1290130300		主杆组件	Knife main lever assy	1	1	
52	N01014		六角螺母M5	Nut 1 M5	1	1	
53	W02001		弹簧垫圈2-5	Washer spring 2-5	1	1	

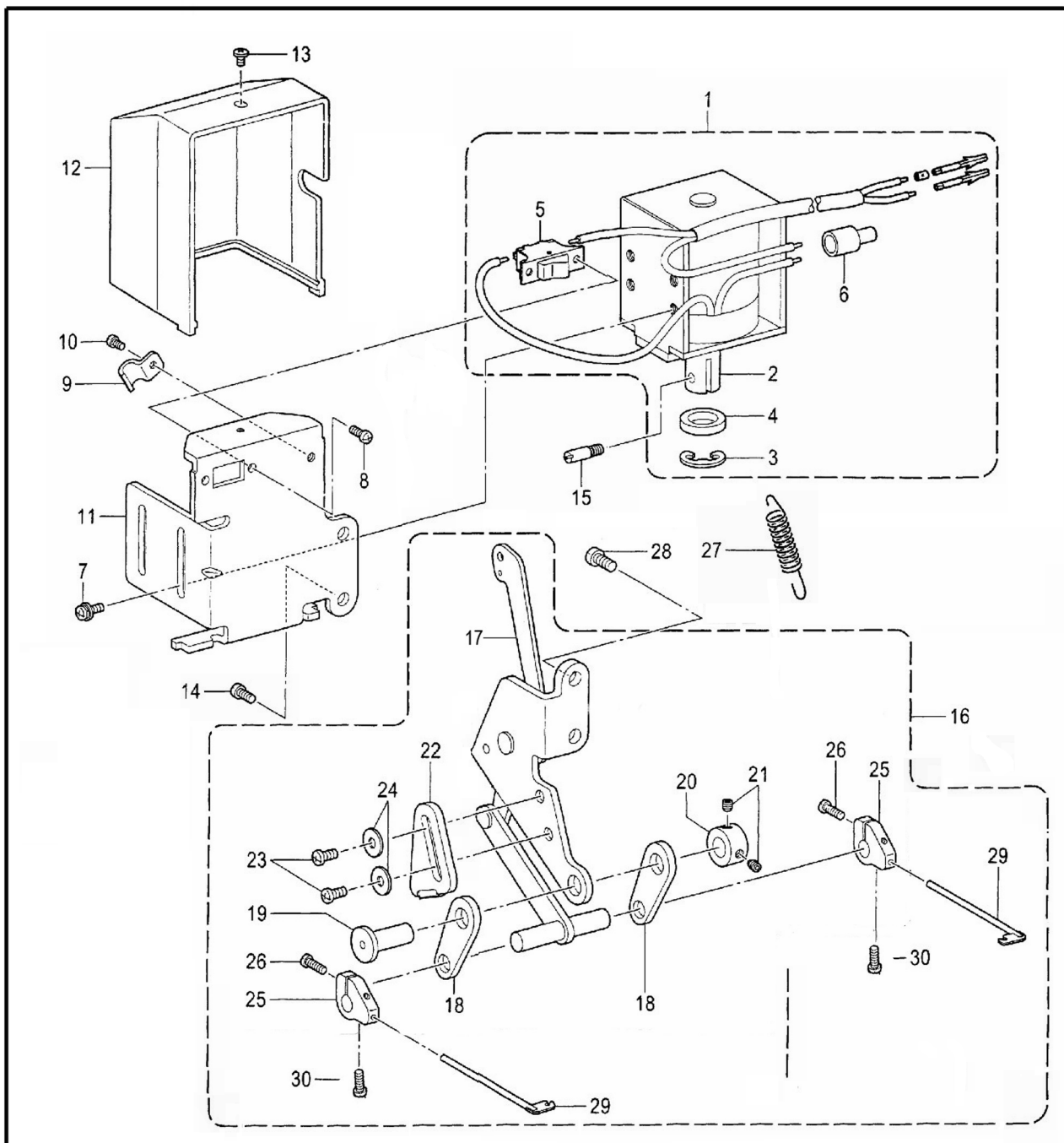
# O.切线部件/Thread trimmer mechanism



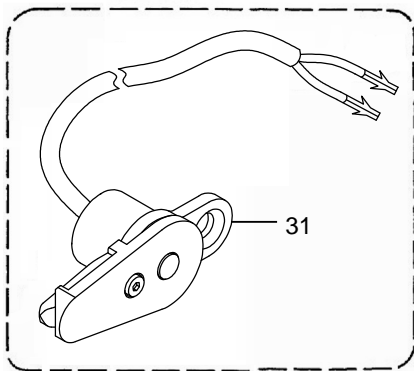
## O.切线部件/Thread trimmer mechanism

序号 No.	件号 Part No.	参考件号 Ref.Part No.	零部件名称	Name of parts	数量 Amt.		备注
					□□3	□□5	
54	W01004		垫圈	Washer ,plain	1	1	
55	129S20304		松线杆轴位螺钉 M4	Screw of separator pole M4	1	1	
56	S04029		螺钉M5×12	Screw,pan M5×12	1	1	
57	12928302		垫圈	Washer	1	1	
58	12927303		弹簧	Spring	1	2	
59	12912332		松线杆	Tension release lever	1	1	
60	N01016		螺母M3.5	Nut M3.5	1	1	
61	S01030		螺钉M3.5×9.7	screw,pan M3.5×12	1	1	
62	12903307		松线滚轮	Roller	1	1	
63	129S20306		滚轮轴	Roller	1	1	
64	12912310		切线轴板	Connecting plate	1	1	
65	12928301	SA2860001	垫圈	Washer	1	1	
66	12926301	SA2651001	切线轴	Thread trimming driving rod	1	1	
67	S09019	012500536	螺钉M5×5	Set screw,Socket(FT)M5×5	1	1	
68	12908301	SA2644001	电磁铁接头	Thread trimming solenoid joint	1	1	
69	12912308	SA2646001	电磁铁杆	Solenoid lever	1	1	
70	129S20303	SA2647001	电磁铁杆短轴	Solenoid lever stud	1	1	
71	120S11010	148546001	销	Plunge pin	1	1	
72	H05008	048070342	挡圈E8	Retaining ring ,E8	1	1	
73	12902302	SA2658001	主杆轴	knife main lever shaft	1	1	
74	12027001	S07509001	弹簧	Spring	1	1	
75	12310001		剪线凸轮	Cut Cam	1	1	
76	12928303		垫片	Washer	2	2	
77	S10025		内六角凹端紧定螺钉 M8×8	Screw M8×8	2	2	
78	12912309	SA2648001	线夹	Fastening band	1	1	
79	S04033	062060816	螺钉M6×8	Screw,pan M6×8	1	1	
80	S02007		左盖板螺钉 M3×6	Word screw M3×6	2	2	
81	1230900600		动刀导向架(L)组件	Knife guide frame(L) Assy.	1	1	
82	1230900800		动刀导向架(R)组件	Knife guide frame(R) Assy.	1	1	
83	123S20003		长度调节连杆轴位螺钉	Screw	1	1	
84	123S30006		复位拉簧连接柱	Connecting column	1	1	
85	12327004		剪线复位拉簧	Spring	1	1	

P.扫线部件/Thread wiper mechanism



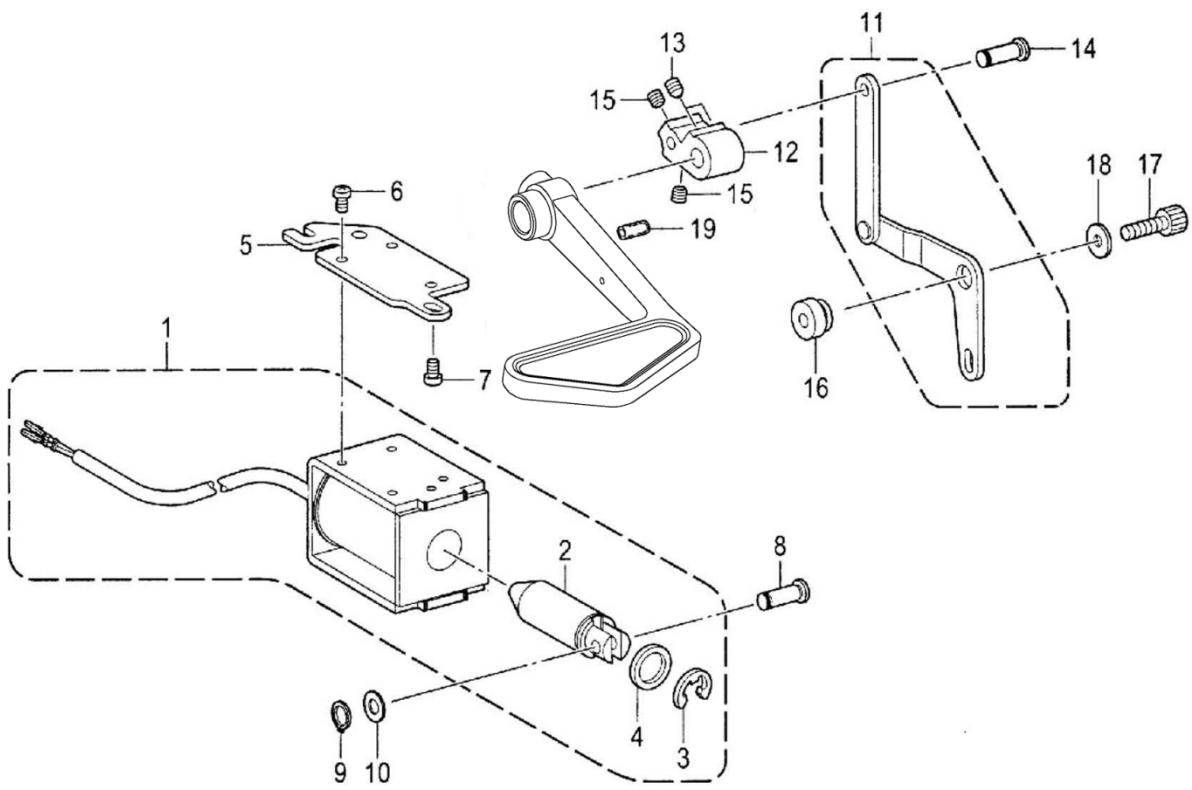
选配/Optional( 58 0J-1 E)



## P.扫线部件/Thread wiper mechanism

序号 No.	件号 Part No.	参考件号 Ref.Part No.	零部件名称	Name of parts	数量 Amt.		备注
					□□3	□□5	
1	1233000300	SA2680001	扫线电磁铁组件	Thread wiper solenoid assy	1	1	
2	12330004	148511001	插棒式铁芯	Plunger	1	1	
3	H05011	048090342	挡圈E9	Retaining ring ,E9	1	1	
4	12022003	S38426000	橡皮垫	Rubber cushion	1	1	
5	12030010	S02664001	扫线开关	Thread wiper switch	1	1	
6	12022004	S02665000	电线接头	Terminal connector	1	1	
7	129S30302		螺钉(带垫片)M4×6	screw,pan M4×6	4	4	
8	129S30027	062300616	螺钉M3×6	screw,pan M3×6	2	2	
9	12912315	140647101	电线固定夹	Cord holder	1	1	
10	S13006	062400616	螺钉M4×6	screw,pan M4×6	1	1	
11	12312014	SA2732001	电磁铁安装板	Solenoid bracket	1	1	
12	12311006	SA2696001	电磁铁盖	Solenoid cover	1	1	
13	129S13004		螺钉M4×8	screw,pan M4×8	1	1	
14	S04028	062501016	螺钉M5×8	screw,pan M5×8	2	2	
15	120S11010	148546001	销	Pin	1	1	
16	1291231700	SA2682101	电磁铁连杆组件	Solenoid link assy	1	1	
17	12912318	SA2685001	动作传动板	Driver	1	1	
18	12012023	S07549101	扫线连接环	Link	2	2	
19	12926302	S07550001	销	Pin	1	1	
20	12903304	SA2504001	紧圈	Set screw collar	1	1	
21	S09019	012500536	螺钉M5×5	screw,pan M5×5	2	2	
22	12912320	SA8745001	定位板	Stopper	1	1	
23	S04028	062500816	螺钉M5×8	screw,pan M5×8	2	2	
24	12928018	025050236	平垫圈5	Plain washer 5	2	2	
25	12004006	S07552101	扫线器架	Thread wiper supporter	2	2	
26	120S13003	062661212	螺钉SM3.18-44×12	screw, SM3.18-44×12	2	2	
27	12927304	SA2684001	弹簧	Spring	1	1	
28	S04028	062501016	螺钉M5×8	screw,pan M5×8	2	2	
29	12912321	S07553001	扫线器	Thread wiper	2	2	
30	129S11005	S07424001	螺钉SM3.18-44×4	Set screw,SM3.18-44×4	2	2	
31	129302300		电子夹线器组件	Nest less e-edvice	1	1	选配/optional

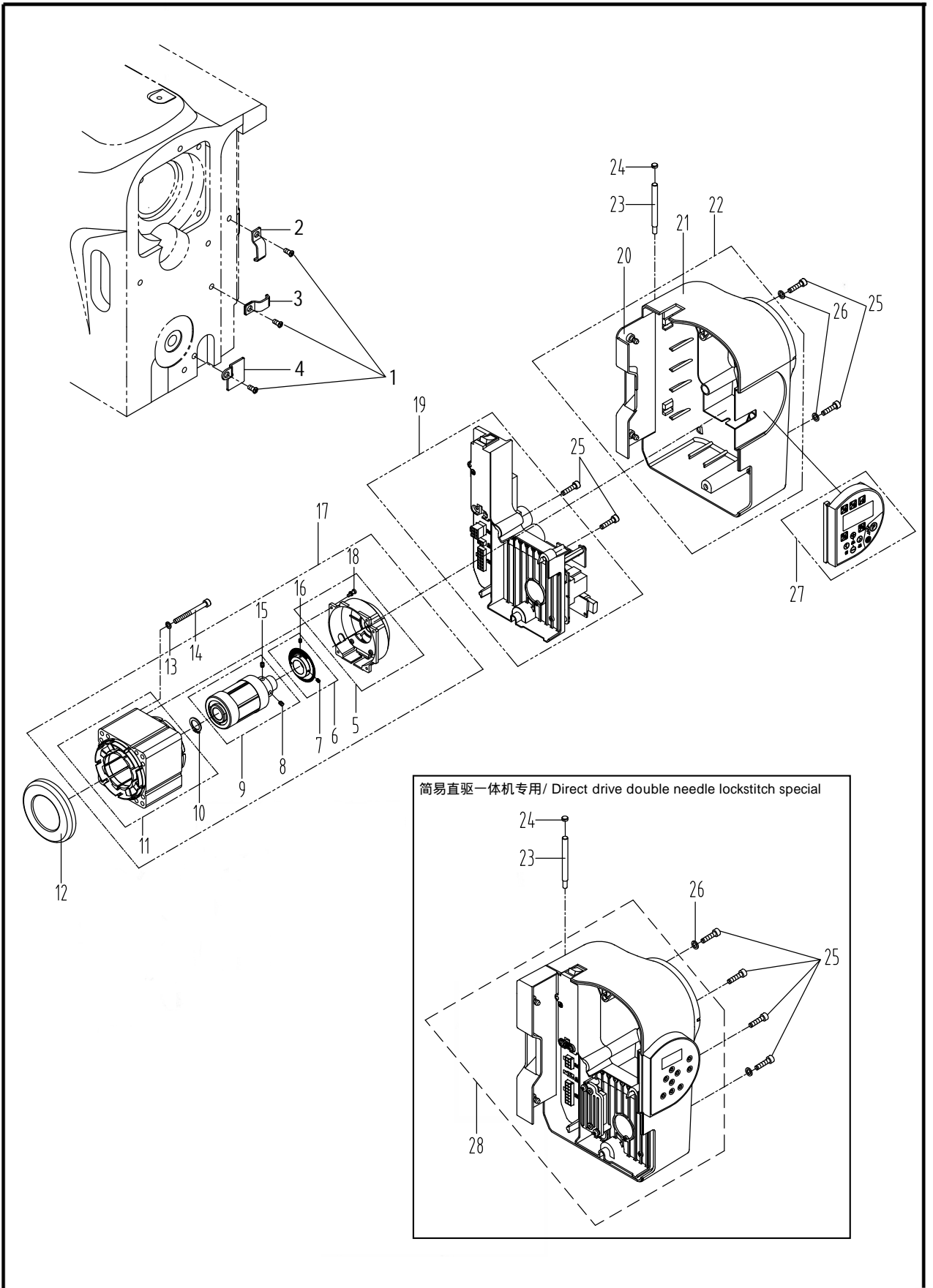
Q.倒缝部件/Quick reverse mechanism



## Q.倒缝部件/Quick reverse mechanism

序号 No.	件号 Part No.	参考件号 Ref.Part No.	零部件名称	Name of parts	数量 Amt.		备注
					□□3	□□5	
1	1233000600		倒缝电磁铁组件	Quick reverse solenoid assy	1	1	
2	12930311	154729001	铁芯	Solenoid core	1	1	
3	H05005	154730001	挡圈E15	Retaining ring ,E15	1	1	
4	12022001	154731000	橡胶垫	Rubber cushion	1	1	
5	12912323	SA2535101	电磁铁基座	Solenoid base	1	1	
6	129S30016	062500812	螺栓(带垫圈)M5×10	screw,pan M5×10	3	3	
7	S04038	062061016	螺钉M6×10	screw,pan M6×10	2	2	
8	12926303	SA2992001	连接销	Pin	1	1	
9	H03003	048060142	挡圈5.6	Retaining ring ,5.6	1	1	
10	12928018	153138001	垫圈6.5	Washer,plain 6.5	1	1	
11	1291233000	SA2536001	电磁铁曲杆组件	Solenoid lever assy	1	1	
12	12904303	SA2540001	反转曲柄	Reverse crank	1	1	
13	S10021	016061031	紧定螺钉 M6×10	screw,pan M6×10	2	2	
14	12926303	SA2992001	连接销	Pin	1	1	
15	S10019	012060636	螺钉M6×6	screw,pan M6×6	2	2	
16	12903305	SA2539001	电磁铁曲杆轴	Solenoid lever shaft	1	1	
17	S05078	018062032	螺钉M6×20	screw,pan M6×20	1	1	
18	12928002	149095009	垫圈	Washer	1	1	
19	11203001	153132000	倒送料板手定位套	Oil tube	1	1	

R.电机与电控部件/Motor and Electronic control box mechanis

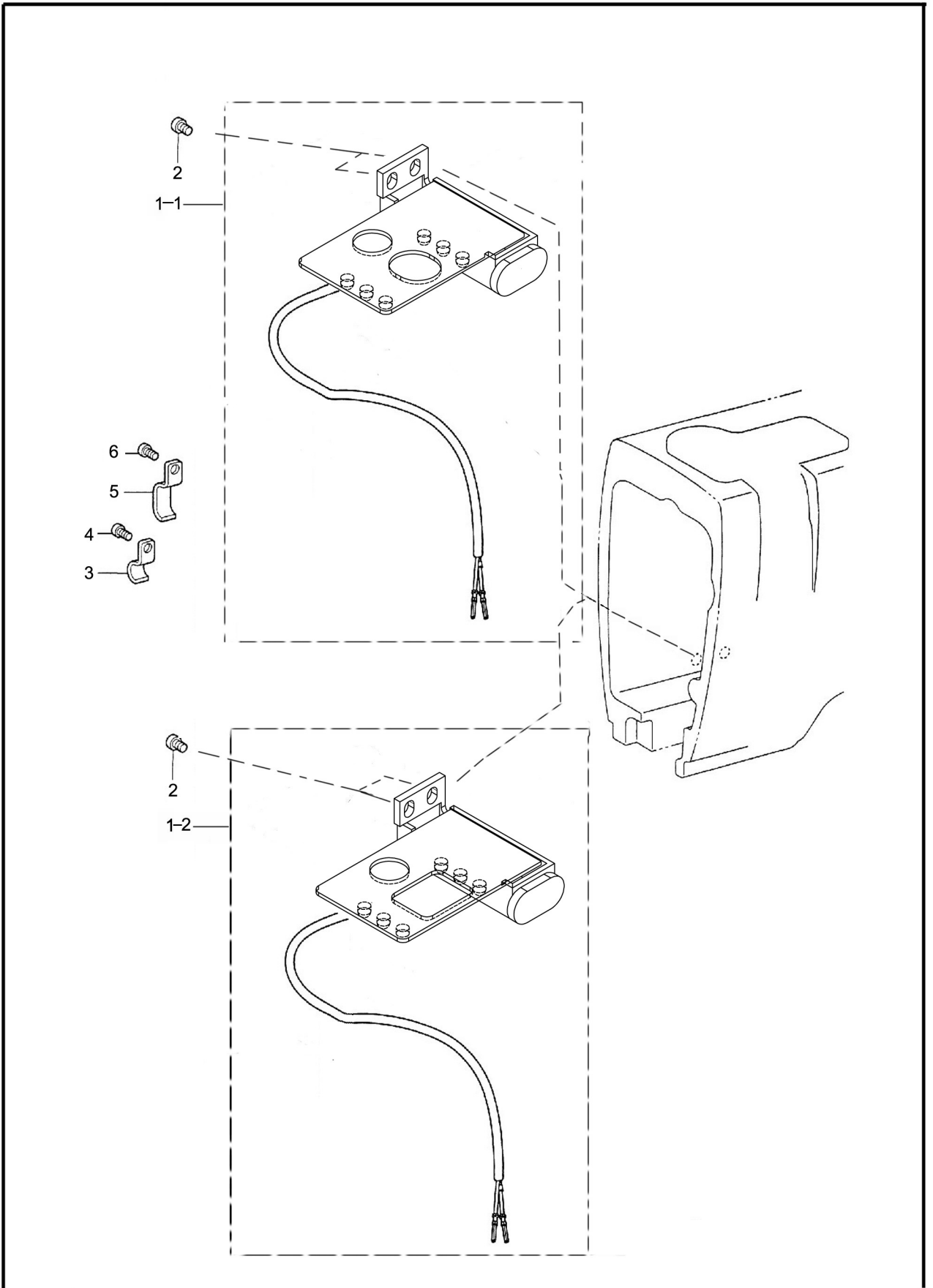




## R.电机与电控部件/Motor and Electronic control box mechanis

序号 No.	件号 Part No.	参考件号 Ref.Part No.	零部件名称	Name of parts	数量 Amt.		备注
					□□3	□□5	
1	S04028		螺钉M5×8	screw,pan M5×8	3	3	58□□0J
2	12312011		线夹	Cord holder	1	1	58□□0J
3	12312011		线夹	Cord holder	1	1	58□□0J
4	12912317		线夹	Cord holder	1	1	58□□0J
5	95100119		电机罩壳组件(配鲍麦克斯)	Motor cover asm.powermax	1	1	
6	1383300900		电机光栅组件(配鲍麦)	Motor grating sensor asm	1	1	
7	S09022		GB/T 77-2000 螺钉M3×4	screw M3×4	1	1	
8	S09113		GB/T77-2000螺钉M6×6	screw M6×6	1	1	
9	95100124		电机转子总成	Motor rotor	1	1	
10	H03001		GB/T894.1-1986挡圈15	Snap ring 15	1	1	
11	95100120		电机定子总成(配鲍麦克斯)	Motor stator,powermax	1	1	
12	13811060		A4-0238电机绝缘防护罩	Protection cover	1	1	
13	W02058		GB 93-1987弹垫d5(镀白锌)	Spring washer 5	4	4	
14	951S05001		内六角圆柱头螺钉M5×75	screw M5×75	4	4	
15	S09113		GB/T77-2000螺钉M6×6	screw M6×6	1	1	
16	S09022		GB/T 77-2000 螺钉M3×4	screw M3×4	1	1	
17	1233300200		光电伺服电机(鲍麦编码器)	Motor cover asm.powermax	1	1	
	1233300600		光电伺服电机(众邦编码器)	Motor cover asm.zobow	1	1	
18	951S15011		小盘头组合螺钉M3×12	screw M3×12	5	5	
19	1233300100		58420J一体电控(鲍麦)	Electronic control box	1	1	58□□0J
20	12311008		电线盖板	Wire cover plate	1	1	58□□0J
21	12311001		58420J电控罩壳	Electronic control casing	1	1	58□□0J
22	1231100100		58420J电控罩壳组件	Electronic control box	1	1	58□□0J
23	13826009		罩壳台阶销	Pin	1	1	
24	12922015		橡皮塞	Rubber plug	1	1	
25	114S13001		电控固定螺钉M5×20	screw M5×20	4	4	
26	W02058		GB 93-1987弹垫d5(镀白锌)	Spring washer 5	4	4	
27	1233300300		操作面板组件	Control panel	1	1	58□□0J
28	12333005		双针直驱电控(T19)	Direct drive electronic control	1	1	58□□0B

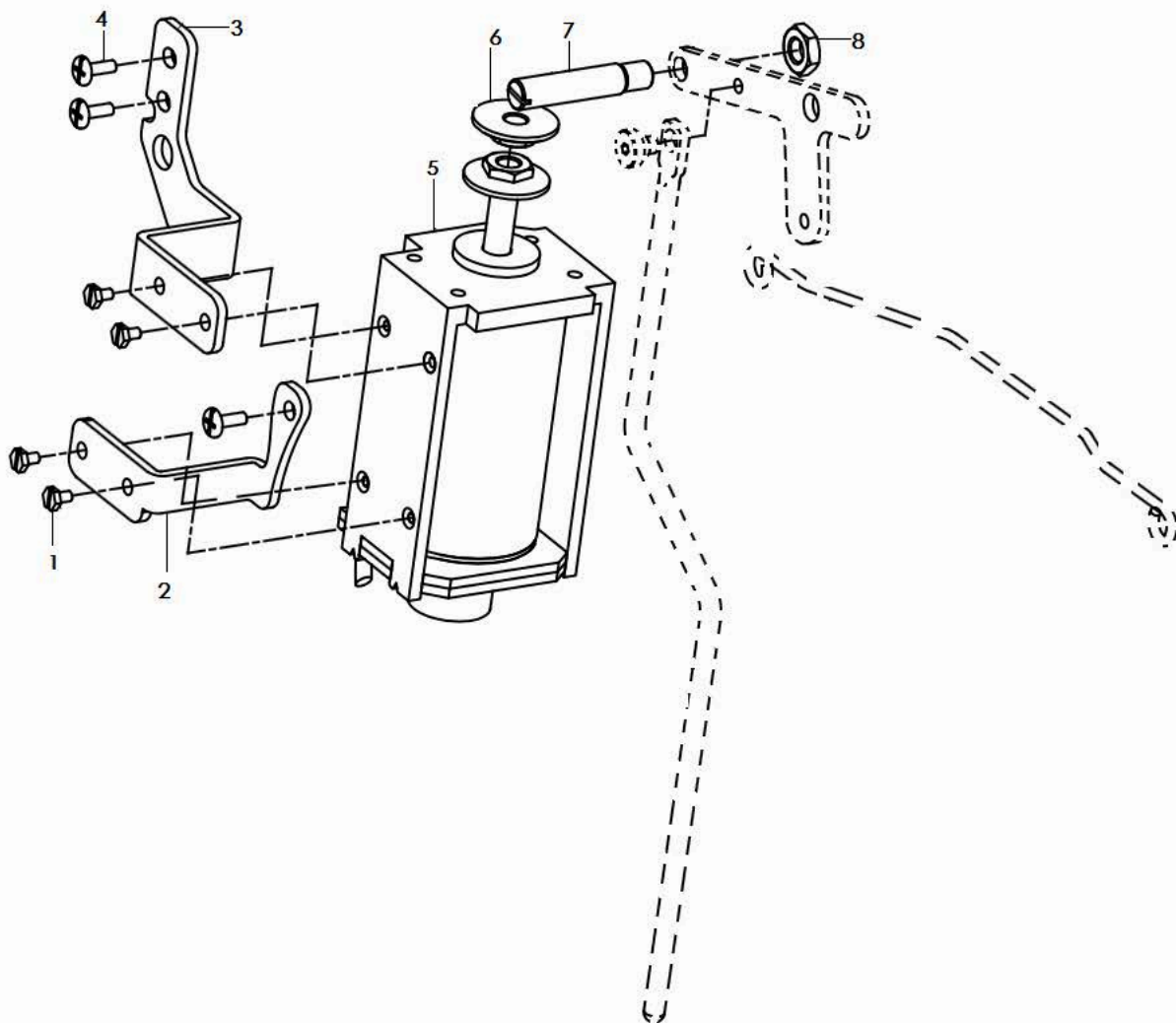
S.倒缝开关分部件/Quick reverse switch mechanism



## S.倒缝开关分部件/Quick reverse switch mechanism

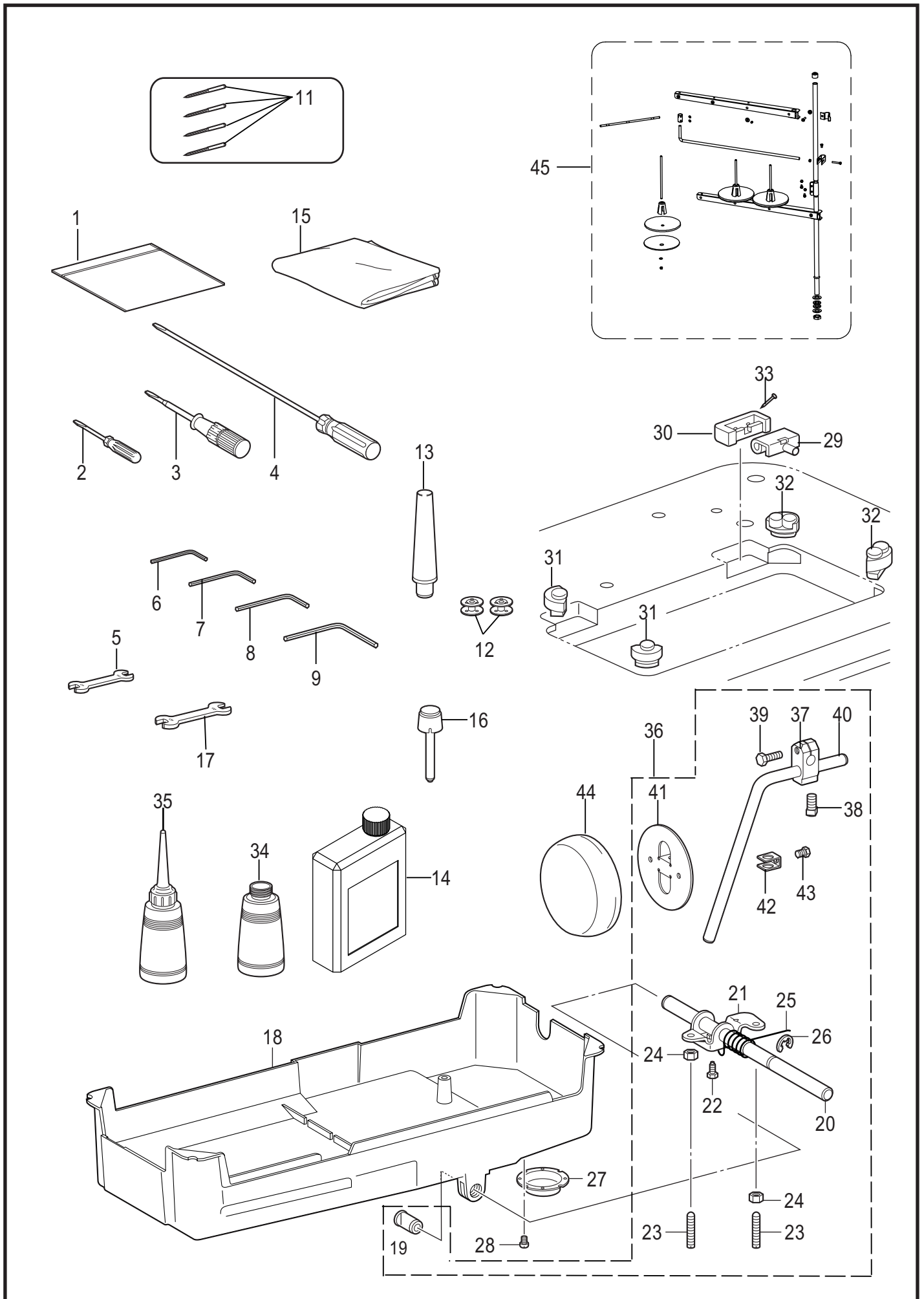
序号 No.	件号 Part No.	参考件号 Ref.Part No.	零部件名称	Name of parts	数量 Amt.		备注
					□□3	□□5	
1-1	1233000100		倒缝开关 (含LED灯) 5V	Reverse actuator assy	1	1	58□20
1-2	1233000200		倒缝开关 (含LED灯) 5V	Reverse actuator assy	1	1	58□50
2	S04030	SA2689100	螺钉M5×6	screw,pan M5×6	2	2	
3	12312010		线夹	Stopper	5	5	58□□0B
	12312010		线夹	Stopper	1	1	58□□0J
4	S04030	062500616	螺钉M5×6	screw,pan M5×6	1	1	
5	12312011		线夹	Stopper	1	1	58□□0J
6	S04030	062500616	螺钉M5×6	screw,pan M5×6	1	1	

T.自动抬压脚部件/Auto lifter components



## T.自动抬压脚部件/Auto lifter components

序号 No.	件号 Part No.	参考件号 Ref.Part No.	零部件名称	Name of parts	数量 Amt.		备注
					□□3	□□5	
1	201S12005		电磁铁固定螺钉	screw	4	4	
2	12912210		电磁铁右支架	Right bracket	1	1	
3	12912200		电磁铁左支架	Left bracket	1	1	
4	S04028		螺钉 M5×8(镀铬)	screw,Pan M5×8	3	3	
5	1233000700		内置抬压脚电磁铁组件	Solenoid asm.	1	1	
6	113S16004		法兰螺母	Flange nuts	2	2	
7	129S30050		抬压脚链接销	Link pin	1	1	
8	N01028		螺母M8 ( 镀锌 )	Nut M8	1	1	



## Z.附件/Accessories

序号 No.	件号 Part No.	参考件号 Ref.Part No.	零部件名称	Name of parts	数量 Amt.		备注
					□□3	□□5	
1	30131029	122991001	附属品塑料袋	Accessory Bag	1	1	
2	10131004	142443001	螺丝刀 (小)	screwDriver,1.9×52	1	1	
3	10131003	118837001	螺丝刀 (中)	screwDriver,3.4×70	1	1	
4	10131002	S17774001	螺丝刀 (大)	screwDriver,4.7×250	1	1	
5	30131006	100887001	扳手 (8mm~10mm)	Wrench	1	1	
6	20131046	142002001	内六角扳手2	Hexagonal Wrench,2	1	1	
7	30131010	154125001	内六角扳手3	Hexagonal Wrench,2,5	1	1	
8	30131012	142721001	内六角扳手4	Hexagonal Wrench,3	1	1	
9	20131056	149570001	内六角扳手6	Hexagonal Wrench,5	1	1	
11	11617002	107415014	机针DP×5 (#14)	Needle ,DP×5	4		
11	10117002	107415022	机针DP×5 (#21)	Needle ,DP×5		4	
12	11618001	S01928151	梭芯	Bobbin	2	2	58420/58450
12	11818001	S07741001	梭芯	Bobbin	2	2	58720/58750
13	10111011		机头支柱	Head Rest	1	1	
14	20131037	S55663001	油壶	Oil Tank Assy	1	1	
15	13831038		防尘罩	Head Cover	1	1	
16	12911014	145573000	膝控提升顶杆	Knee Lifter Complying Bar	1	1	
17	40931025		扳手 (9mm~11mm)	Wrench	1	1	
18	12901011	SA2692101	油盘	Oil Pan	1	1	
19	11636007	149578000	塑料轴套	Bush	1	1	
20	12902019	SA2582001	膝控横轴	Knee Lifter shaft	1	1	
21	12912087	SA2590001	膝控曲柄	Knee Lifter	1	1	
22	101S12002	S25344001	螺栓M6	Bolt,M6	1	1	
23	417S10003	S25475101	螺钉M6×19	Set screw,M6×19	2	2	
24	N01012	021060306	六角螺母M6	Nut,3M6	2	2	
25	11627011	S15889001	复位弹簧	Twist Spring	1	1	
26	H05010	146293001	挡圈E10	Retaining Ring,E10	1	1	
27	12912088	153230101	放油口	Drain	1	1	
28	S01031	S23418002	螺钉M4×5	screw,M4×5	2	2	
29	1011203100	143882001	机头连接钩组件	Head Hinge	2	2	
30	10122060	143910009	机头连接钩座(6-1) (内销)	Rubber Cushion	2	2	
31	12922017	SA1962001	头部防震垫	Head Cushion	2	2	
32	12922018	SA1963001	头部防震垫	Head Cushion	2	2	
33	101S30010	109714000	机头连接钩座钉	Nail	4	4	
34	11631008	114486002	油壶	Oiler	1	1	
35	11631008	114483002	油壶组件	Oiler Assy	1	1	
36	1160101000	S38300001	脚弓托架组件	Knee Lifter Assy	1	1	
37	12912417	146039121	操纵杆接头	Knee Lifter Bracket	1	1	
38	101S12003	100463021	操纵杆接头螺钉	Knee Lifter Bracket , screw	1	1	
39	129S12002	S35820021	锥头螺钉M6	screw,Pan M6	1	1	
40	12912414	S38278001	操作杆	Knee Lifter Bar	1	1	
41	12912415	S34756021	操作板	Knee Lifter Plate	1	1	
42	12912416	114967021	操作杆接头	Knee Lifter Plate Stopper	1	1	
43	101S12004	110087021	螺钉M6	screw,Pan M6	1	1	
44	10122024	S31885001	操纵板软垫	Knee lifter plate cover	1	1	
45	1233100600		线架组件 3DRTHF	Cotton Stand Assy,3DRTHF	1	1	

## 针位组零件明细表/Gauge parts list

机型 Modle	电脑机 (自动剪线) Computer machine (Auto Thread Trimming)							
	58420G/58420J				58450G/58450J			
	针距 Needle gauge (mm)	针板 Needle Plate	压脚 Presser Foot Assembly	送布牙 Feed Dog	针夹头 Needle Clamp Assemly	针板 Needle Plate	压脚 Presser Foot Assembly	送布牙 Feed Dog
1/8 (3.2mm)	12915306	1291601900	12914004	1293401100	12915306	1291601900	12914004	1293403300
3/16 (4.8mm)	12915307	1291601800	12914010	1293402600	12915307	1291601800	12914010	1293402700
1/4 (6.4mm)	12915206	1291632500	12914301 (-3) 12914314 (-5)	11634001	12915206	1291632500	12914301 (-3) 12914314 (-5)	11734002 (L) 11734003 (R)
5/16 (7.9mm)	12915309	1291600700	12914012	1293400300	12915309	1291600700	12914011	1293400400
3/8 (9.5mm)	12915308	1291601600	12914011	1293400100	12915308	1291601600	12914012	1293400200
1/2 (12.7mm)	12915312	1291601300	12914013	1293401700	12915312	1291601300	12914013	1293404700
5/8 (15.9mm)	12915314	1291602200	12914014	1293401800	12915314	1291602200	12914014	1293404800
3/4 (19mm)	12915315	1291602300	12914015	1293404000	12915315	1291602300	12914015	1293404100
7/8 (22.2mm)	12915316	1291602000	12914016	1293403200	12915316	1291602000	12914016	1293402800
1 (25.4mm)	12915317	1291602400	12914017	1293403100	12915317	1291602400	12914017	1293403800

机型 Modle	电脑机 (自动剪线) Computer machine (Auto Thread Trimming)							
	58720G/58720J				58750G/58750J			
	针距 Needle gauge (mm)	针板 Needle Plate	压脚 Presser Foot Assembly	送布牙 Feed Dog	针夹头 Needle Clamp Assemly	针板 Needle Plate	压脚 Presser Foot Assembly	送布牙 Feed Dog
1/8 (3.2mm)	12915306	1291601900	12914004	1293401100	12915306	1291601900	12914004	1293403300
3/16 (4.8mm)	12915307	1291601800	12914010	1293402600	12915307	1291601800	12914010	1293402700
1/4 (6.4mm)	12915206	1291632500	12914301 (-3) 12914314 (-5)	11634001	12915206	1291632500	12914301 (-3) 12914314 (-5)	11734002 (L) 11734003 (R)
5/16 (7.9mm)	12915309	1291600700	12914012	1293401400	12915309	1291600700	12914011	1293400400
3/8 (9.5mm)	12915308	1291601600	12914011	1293400100	12915308	1291601600	12914012	1293400200
1/2 (12.7mm)	12915312	1291601300	12914013	1293401700	12915312	1291601300	12914013	1293404700
5/8 (15.9mm)	12915314	1291602200	12914014	1293401800	12915314	1291602200	12914014	1293404800
备注 Remarks	(-3) 为薄料送布牙, (-5) 为厚料送布牙。 (-3) thin material feed dog, (-5) Thick material feed dog.							



# 针位组零件明细表/Gauge parts list

机型 Model	普通机 Ordinary machine									
	58420/58420B/58720/58720B					58450/58450B/58750/58750B				
	针距 Needle gauge (mm)	组件 Assembly	针板 Needle Plate	压脚 Presser Foot Assembly	送布牙 Feed Dog	针夹头 Needle Clamp Assembly	组件 Assembly	针板 Needle Plate	压脚 Presser Foot Assembly	送布牙 Feed Dog
1/8 (3.2mm)	1293406200	12915014	1291601900	12914008	1293401100	1293407700	12915014	1291601900	12914008	1293403300
5/32 (4mm)	1293406300	12915200	1291602400	12914004	1293404500	1293407800	12915200	1291602400	12914004	1293402200
3/16 (4.8mm)	1293406400	12915013	1291601800	12914007	1293402600	1293407900	12915013	1291601800	12914007	1293402700
1/4 (6.4mm)	/	12915004	1291600200	12914001	11634001	/	12915004	1291600200	12914001	11734002 (L) 11734003 (R)
5/16 (7.9mm)	1293406500	12915201	1291600700	12914009	1293400300	1293408000	12915201	1291600700	12914009	1293400400
3/8 (9.5mm)	1293406600	12915012	1291601600	12914006	1293400100	1293408100	12915012	1291601600	12914006	1293400200
7/16 (11.1mm)	1293406700	12915202	1291601200	12914010	1293401600	1293408200	12915202	1291601200	12914010	1293404600
1/2 (12.7mm)	1293406800	12915203	1291601300	12914011	1293401700	1293403600	12915203	1291601300	12914011	1293404700
5/8 (15.9mm)	1293406900	12915204	1291602200	12914013	1293401800	1293403700	12915204	1291602200	12914013	1293404800
3/4 (19mm)	1293407000	12915205	1291602300	12914014	1293404000	1293408300	12915205	1291602300	12914014	1293404100
7/8 ☆ (22.2mm)	1293407100	12915015	1291602000	12914032	1293403200	1293408400	12915015	1291602000	12914032	1293402800
1 ☆ (25.4mm)	1293407200	12915207	1291602400	12914015	1293403100	1293408500	12915207	1291602400	12914015	1293403800
1-1/4 ☆ (31.8mm)	1293407300	12915031	1291601100	12914012	1293402000	1293408600	12915031	1291601100	12914012	1293404900
1-1/2 ★ (38.1mm)	1293407400	12915208	1291602200	12914016	1293402100	1293408700	12915208	1291602200	12914016	1293405100
1-5/8 ★ (41.3mm)	1293407500	12915209	1291602300	12914017	1293402900	1293408800	12915209	1291602300	12914017	1293405200
1-13/16 ★ (46mm)	1293407600	12915011	1291601500	12914005	1293400500	1293408900	12915011	1291601500	12914005	1293405300
备注 Remarks	☆58720/58720B/58750/58750B针位对应的机壳不通用，需要公司定做。 ☆58720/58720B/58750/58750B The shell of needle is not common and needs to made by the company. ★此类针位对应的所有机壳不通用，需要公司定做。 ★All the shells corresponding to this kind of needle are not common and needs to made by the company.									

# 杰克缝纫机

## 全球销量遥遥领先

Leading in global sales

400-8876-858

[www.chinajack.com](http://www.chinajack.com)



**JACK SEWING MACHINE CO.,LTD.**

2017年12月份 Edition:December, 2017

### 杰克缝纫机股份有限公司

浙江省台州市椒江区机场南路15号

电话 :0086-576-88177788 88177789

传真 :0086-576-88177758

产品标准代号: Q/TK 007-2017

资料如有更改,恕不另行通知,以实样为准

### **JACK SEWING MACHINE CO.,LTD.**

No. 15 Airport South Road, Jiaojiang District, Taizhou, Zhejiang, PRC

TEL: 0086-576-88177782 88177767

[chinajack.com](http://www.chinajack.com)

FAX: 0086-576-88177787

[www.chinajack.com](http://www.chinajack.com)

Standard code of the products:Q/TK 007-2017

You will be not informed if the file has been revised. Please set sample as standard.