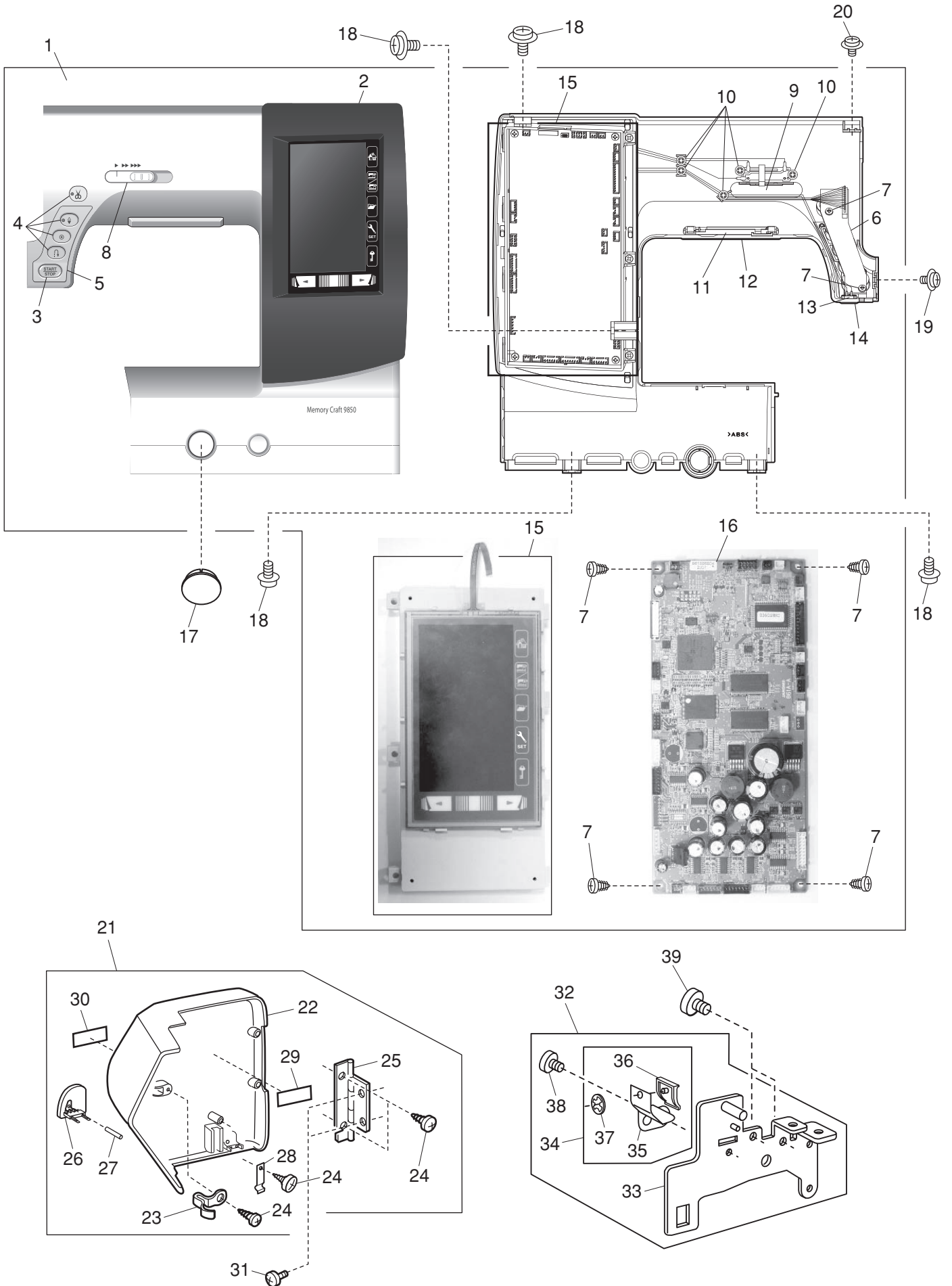


PARTS LIST

MODEL: MC9850

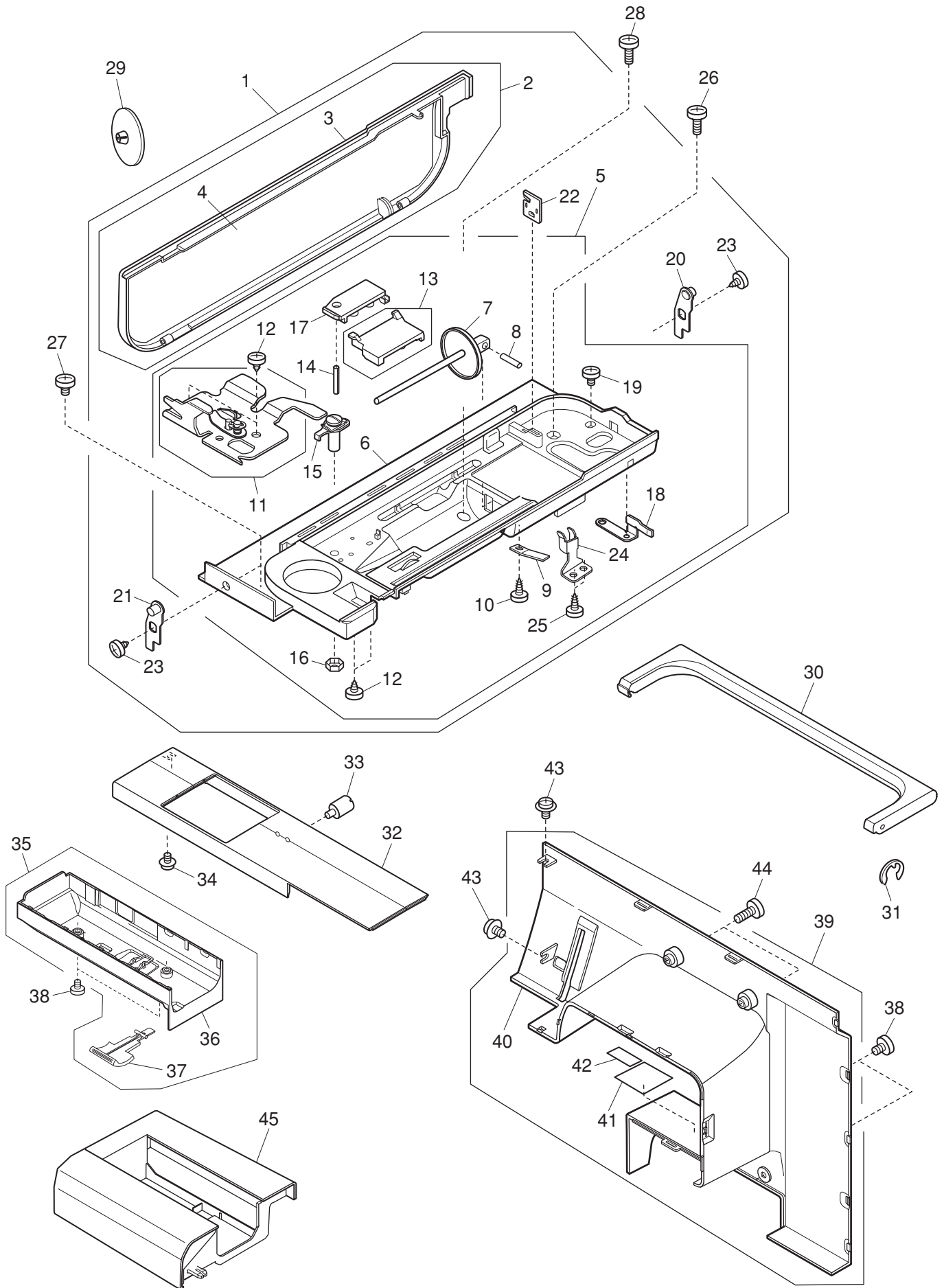
PARTS LIST



PARTS LIST

KEY NO.	PARTS NO.	DESCRIPTION
1	861668706	Front cover (unit)
2	861069273	Ornamental frame
3	858102109	Start/stop button
4	858103111	Function button
5	858104101	Button cover
6	861510001	Printed circuit board F (unit)
7	000120203	Setscrew 3x8 (B)
8	858105009	Slide volume knob
9	653507082	Slide volume (unit)
10	000014306	Snap ring CS-3
11	858502114	Printed circuit board L1 (unit)
12	858106000	LED cover 2
13	858511714	Printed circuit board L2 (unit)
14	860167006	Lamp cover 2
15	861415005	LCD case (unit) (without printed circuit board A)
16	861417018	Printed circuit board A (unit) (U.S.A.) (Canada) (Australia)
	861417007	Printed circuit board A (unit) (UK) (Continental Europe)
17	859216007	Cap
18	000115205	Setscrew TP 4x6
19	000114710	Setscrew TP 3x6
20	000115401	Setscrew TP 3x4
21	861611807	Face plate (unit) (U.S.A.) (Canada)
	861611900	Face plate (unit) (Australia) (UK) (Continental Europe)
22	861020A04	Face plate
23	850013005	Face plate spring
24	000161206	Setscrew 3x10 (B)
25	851503103	Face plate hinge (unit)
26	861639007	Thread cutter (unit)
27	000020109	Spring pin 2x8
28	859233000	Spring
29	100045000	Caution sticker (U.S.A.) (Canada)
30	100517008	Caution sticker (U.S.A.) (Canada)
31	000081119	Setscrew 4x6
32	861612004	Carrying handle supporter (unit)
33	861024003	Carrying handle supporter
34	861613005	Spring (unit)
35	861073007	Spring
36	861074008	Spring cap
37	000017701	Snap ring CS-3.5
38	000101116	Setscrew 3x4
39	000081005	Setscrew 4x8

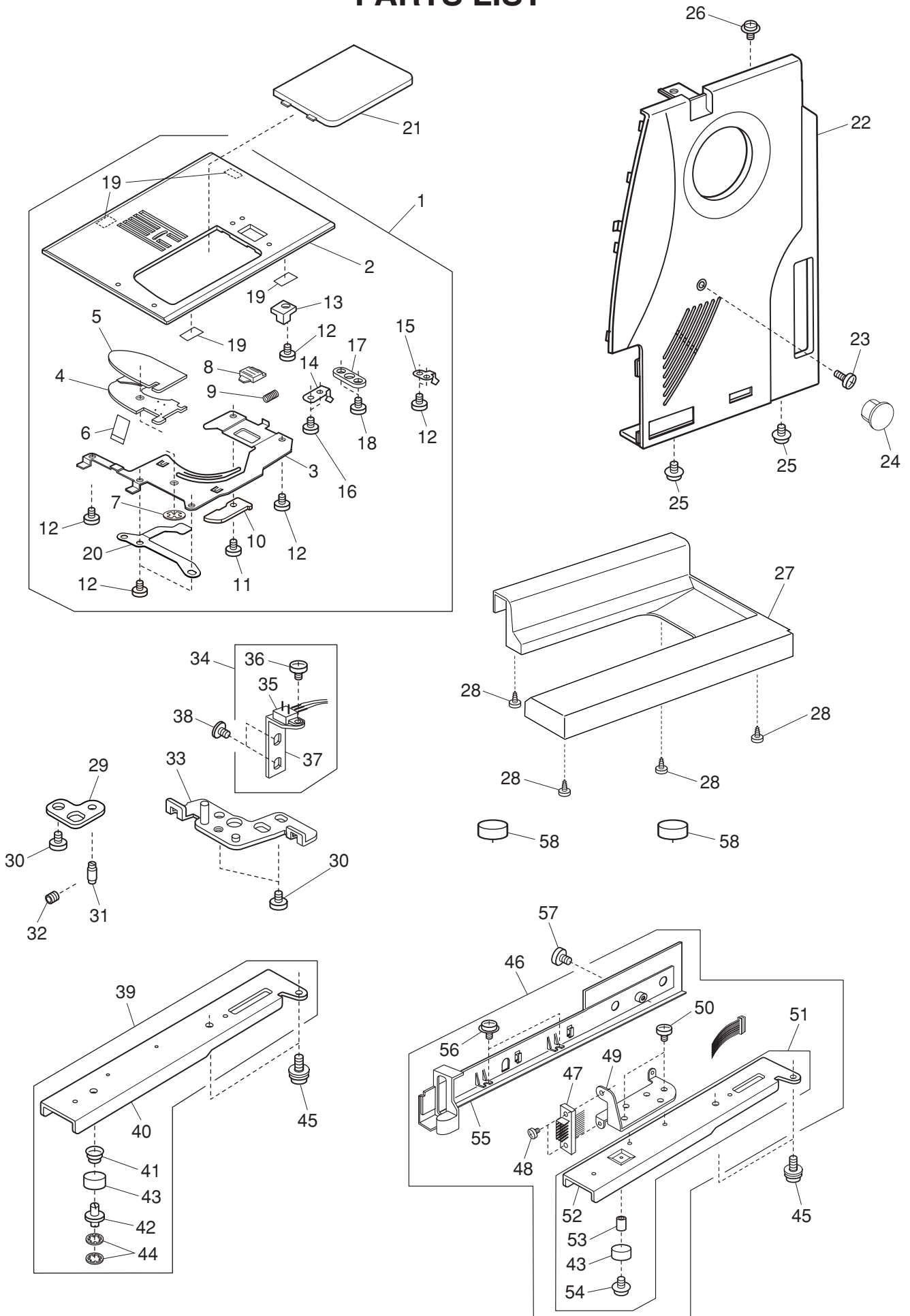
PARTS LIST



PARTS LIST

KEY NO.	PARTS NO.	DESCRIPTION
1	861607006	Top cover (whole unit)
2	861608007	Top cover (unit)
3	861016002	Top cover
4	861017003	Quick reference chart
5	861609008	Top cover body (unit)
6	861018004	Top cover body
7	859052003	Spool pin
8	822017002	Spool pin shaft
9	822018003	Spool pin spring
10	000107204	Setscrew 3x12 (B)
11	859541004	Thread guide (unit)
12	000107307	Setscrew 3x8 (B)
13	859648002	Thread guide cover (unit)
14	000020202	Spring pin 2x10 (K)
15	862535005	Bobbin winder thread guide (unit)
16	000160102	Adjustable lock nut 4
17	830011001	Bobbin winder thread guide cover
18	861099009	Bobbin winder stopper
19	000101127	Setscrew 3x4
20	858023002	Top cover hinge (right)
21	858023105	Top cover hinge (left)
22	830505007	Thread cutter (unit)
23	000161206	Setscrew 3x10 (B)
24	859137003	Top cover hinge (right)
25	000120203	Setscrew 3x8 (B)
26	000104119	Setscrew 4x20
27	000066705	Setscrew 3x8
28	000170507	Setscrew 4x12
29	822020503	Spool holder (large)
30	861019005	Carrying handle
31	000001609	Snap ring E-5
32	861007103	Free arm cover
33	858165007	Pin
34	000114710	Setscrew TP 3x6
35	861604003	Bed cover (unit)
36	861008001	Bed cover
37	859040008	Needle plate release lever
38	000081005	Setscrew 4x8
39	861605808	Rear cover (unit)
40	861009A04	Rear cover
41	861136009	Carriage sticker
42	859263009	Carriage sticker 2
43	000115205	Setscrew TP 4x6
44	000101806	Setscrew 4x16
45	861501009	Extension table (unit)

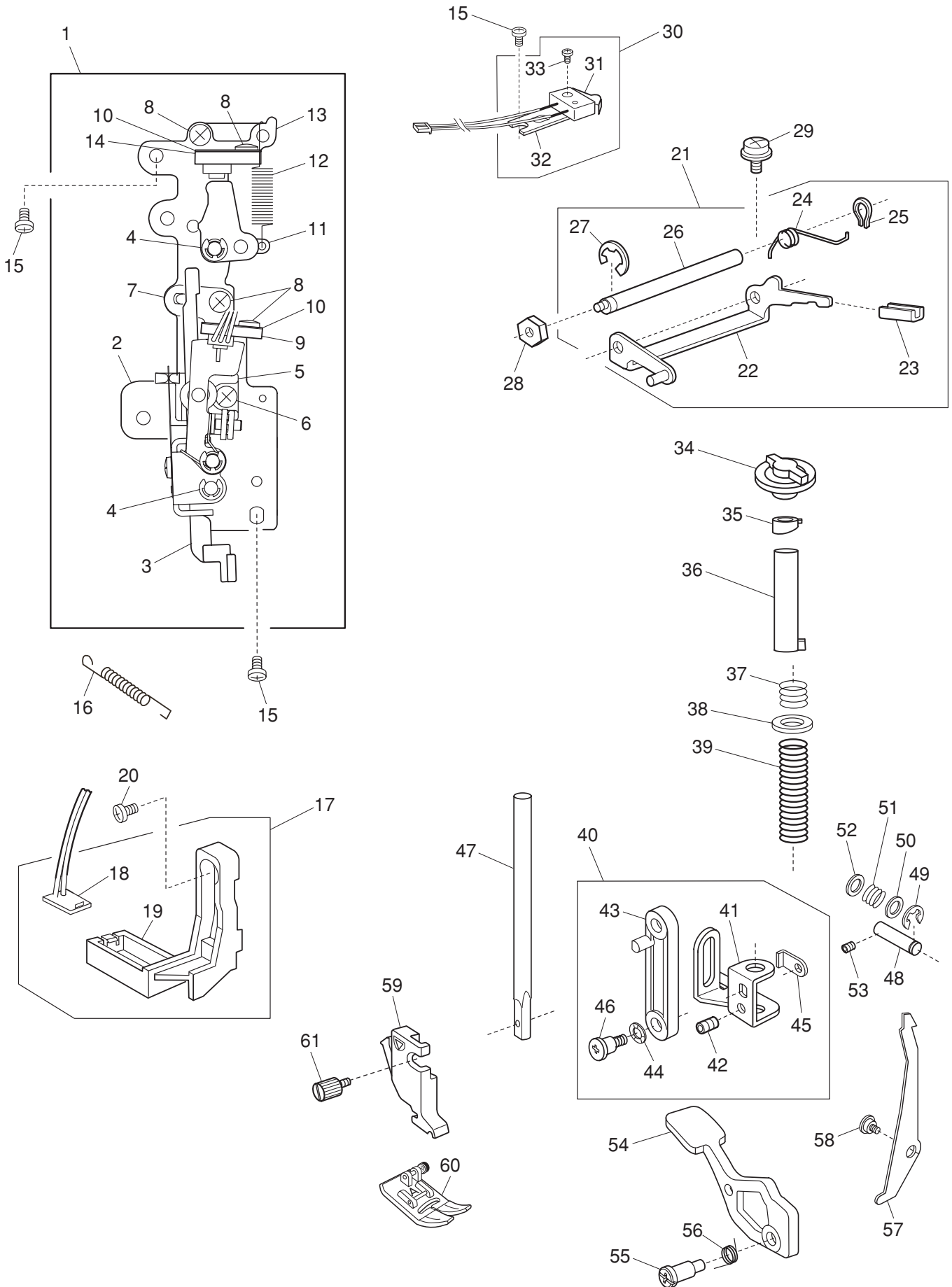
PARTS LIST



PARTS LIST

KEY NO.	PARTS NO.	DESCRIPTION
1	861606016	Needle plate (unit)
2	861013010	Needle plate
3	861014000	Hook cover plate supporter
4	809134005	Hook cover plate supporter base
5	809135006	Guide holder
6	809137008	Cutter
7	000014306	Snap ring CS-3
8	825016000	Hook cover plate release button
9	825017001	Spring
10	809044203	Rotation stopper
11	000097613	Setscrew 2x4
12	820374004	Setscrew 2x2.3
13	859046004	Needle plate sensor block
14	859047016	Spring
15	859245005	Spring 2
16	000169709	Setscrew 2x2.3
17	859271000	Guide plate
18	000102807	Setscrew 2x4
19	859272104	Rubber sheet
20	809184000	Spring
21	809136100	Hook cover plate
22	861084012	Belt cover
23	000101703	Setscrew 4x12
24	745033002	Cap
25	000115205	Setscrew TP 4x6
26	000114710	Setscrew TP 3x6
27	861005B01	Base cover
28	000161206	Setscrew 3x10 (B)
29	860003025	Needle plate nut set plate
30	810220106	Setscrew
31	859270009	Needle plate positioning pin
32	000111201	Hexagonal socket screw 4x4
33	859247018	Needle plate adjusting plate
34	859671107	Needle plate sensor (unit)
35	859524104	Switch (unit)
36	755096004	Setscrew
37	859246006	Switch set plate
38	000193001	Setscrew TP 4x6
39	861601000	Arm sole (front cover side) (unit)
40	861002005	Arm sole
41	858162004	Spring
42	820350004	Adjusting screw
43	605074008	Rubber foot
44	000014409	Snap ring CS-8
45	000148403	Setscrew 6x12 (S)
46	861602104	Connector (unit)
47	859519106	Connector
48	000080406	Setscrew 3x10
49	859140010	Connector set plate
50	000081005	Setscrew 4x8
51	861603002	Arm sole (unit)
52	861003006	Arm sole
53	000141107	Bushing
54	000119106	Setscrew TP 4x10
55	861006102	Cover
56	000115618	Setscrew TP 4x8
57	810220003	Setscrew
58	647009002	Rubber foot

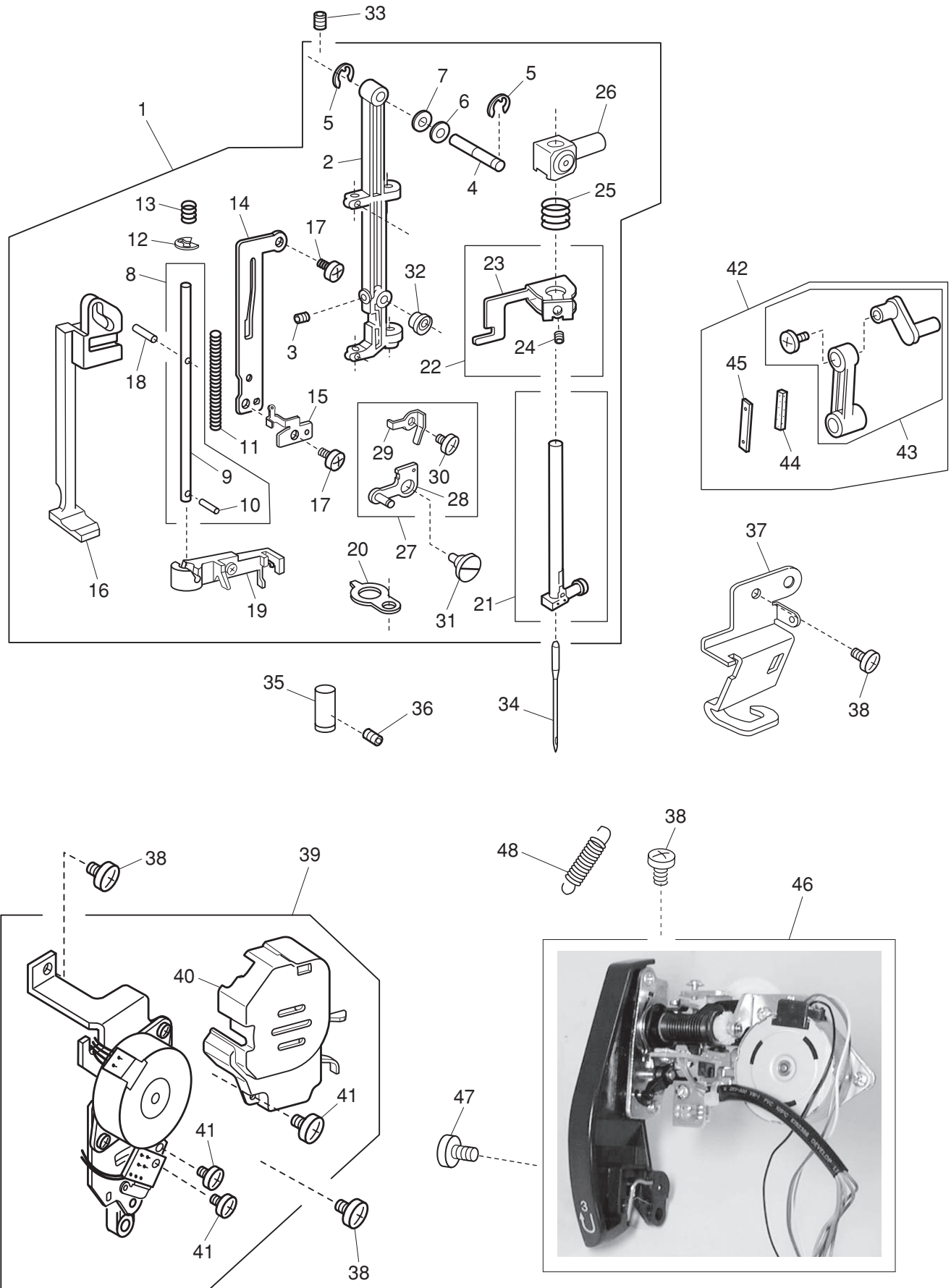
PARTS LIST



PARTS LIST

KEY NO.	PARTS NO.	DESCRIPTION
1	861615007	Front bracket (unit)
2	861030002	Front bracket
3	843625107	Buttonhole lever (unit)
4	000002105	Snap ring E-3
5	830057021	Buttonhole lever guide
6	000103808	Setscrew 3x5
7	861031003	Sensor base plate
8	000101105	Setscrew 3x4
9	852502312	Printed circuit board G1 (unit)
10	853028002	Insulation sheet
11	860263003	Foot P shield plate
12	830277007	Spring
13	861032004	Sensor set plate
14	852502415	Printed circuit board G1 (unit)
15	000081005	Setscrew 4x8
16	844038018	Needle bar supporter spring
17	861665404	LED cover (unit)
18	859525415	Printed circuit board L2 (unit)
19	859232021	LED cover
20	000078319	Setscrew 3x6
21	861616307	Presser foot actuator arm (unit)
22	861035100	Presser foot actuator arm
23	854145009	Slider
24	830063008	Spring
25	000014605	Snap ring 6
26	830060005	Presser foot actuator arm
27	000001609	Snap ring E-5
28	000061205	Nut 4-3-7
29	000115629	Setscrew TP 4x8
30	861617009	Presser foot lifter switch (unit)
31	652520099	Micro switch (unit)
32	861029008	Micro switch set plate
33	000102900	Setscrew 2x8
34	858136102	Presser foot pressure adjusting dial
35	858155004	Presser foot pressure adjusting cam
36	858028007	Presser bar bushing
37	861047002	Presser bar spring
38	102061008	Washer
39	861026005	Presser bar spring
40	861614006	Presser bar supporter (unit)
41	861027006	Presser bar supporter
42	000111500	Hexagonal socket screw 4x8
43	861028007	Presser bar link
44	000116608	Washer 5
45	830033009	Nut
46	830034000	Setscrew
47	827021200	Presser bar
48	822072108	Presser bar lifter pin
49	000002507	Snap ring E-4
50	000070609	Washer 6
51	102222009	Spring
52	000073107	Washer 6
53	000111201	Hexagonal socket screw 4x4
54	861025004	Presser foot lifter lever
55	859029001	Spring
56	865049006	Setscrew
57	861067008	Tension release lever
58	859273002	Setscrew
59	859801027	Presser foot holder (unit)
60	859802006	Zigzag foot (unit)
61	858274000	Thumbscrew

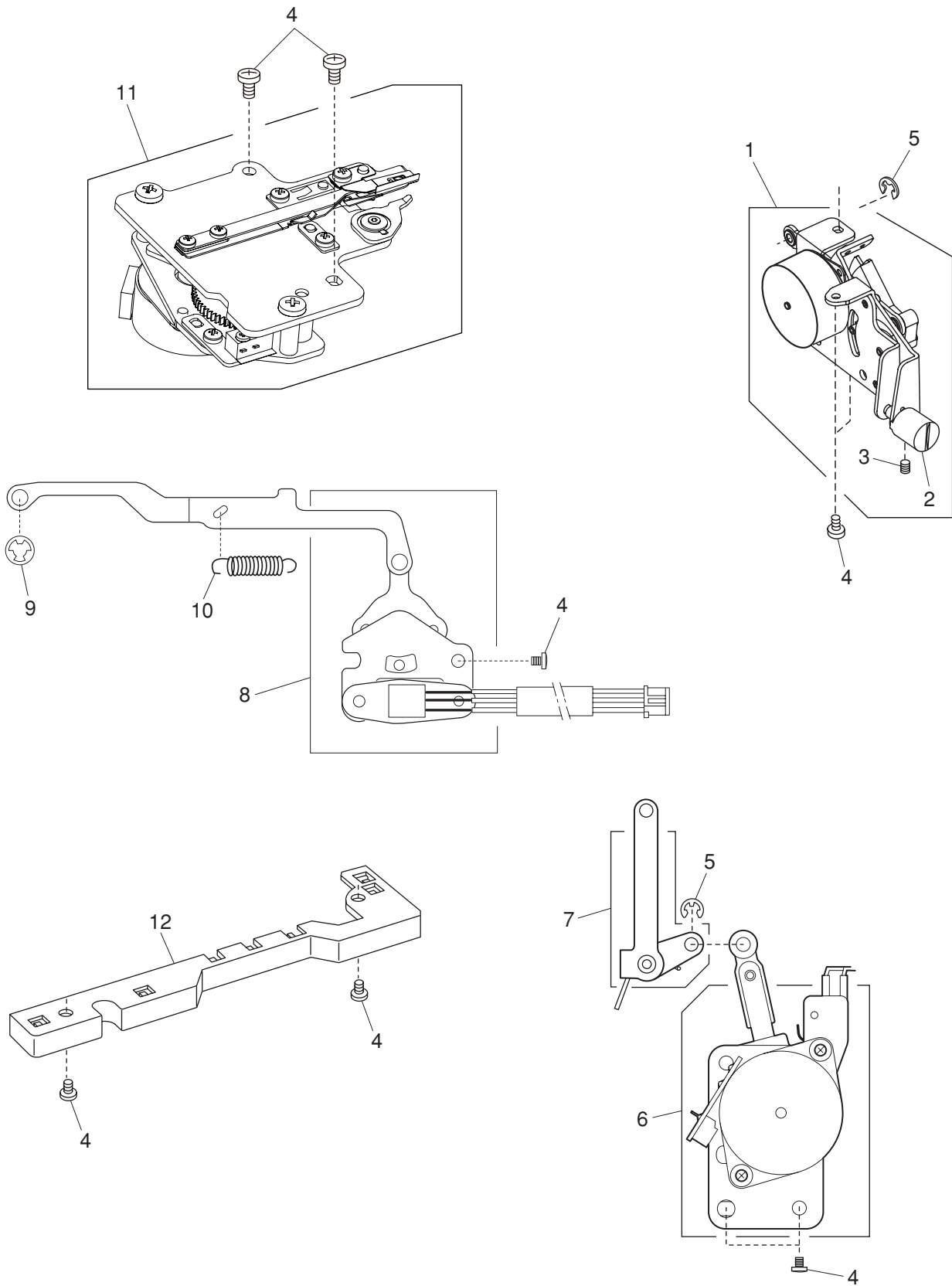
PARTS LIST



PARTS LIST

KEY NO.	PARTS NO.	DESCRIPTION
1	861664001	Needle bar supporter (unit)
2	846047005	Needle bar supporter
3	000111902	Hexagonal socket screw 3x4
4	735144006	Needle bar supporter pin
5	000002507	Snap ring E-4
6	000070609	Washer 6
7	673022002	Washer
8	846612100	Threader shaft (unit)
9	846048028	Threader shaft
10	000003508	Spring pin 2x8
11	842090001	Needle threader spring
12	000002105	Snap ring E-3
13	842096007	Threader lever spring
14	842091002	Threader guide plate
15	844036038	Threader lever plate
16	859111001	Threader lever
17	000078319	Setscrew 3x6
18	000125105	Spring pin E-2x16-CH
19	846588014	Threader guard plate (unit)
20	829027006	Supporter guide plate
21	859647001	Needle bar (unit)
22	861610002	Threader position setting plate (unit)
23	861052000	Threader position setting plate
24	000111902	Hexagonal socket screw 3x4
25	858172007	Needle bar supporter spring
26	846515009	Needle bar supporter (unit)
27	861630008	Zigzag width rod (unit)
28	808015006	Zigzag width rod
29	827088009	Zigzag width rod spring
30	820373003	Setscrew
31	678084007	Eccentric pin
32	808074003	Washer
33	000111201	Hexagonal socket screw 4x4
34	647814031	Needle
35	827083004	Supporter guide pin
36	000216805	Hexagonal socket screw 3x3
37	861004007	Arm thread guide
38	000081005	Setscrew 4x8
39	861629004	Zigzag width motor (unit)
40	861055014	Motor cover
41	000101105	Setscrew 3x4
42	846615103	Needle bar crank (unit)
43	843543007	Needle bar crank pin (unit)
44	650040005	Felt
45	650041006	Spring
46	861618309	Thread tension (unit)
47	000103509	Setscrew 4x10
48	850212017	Spring

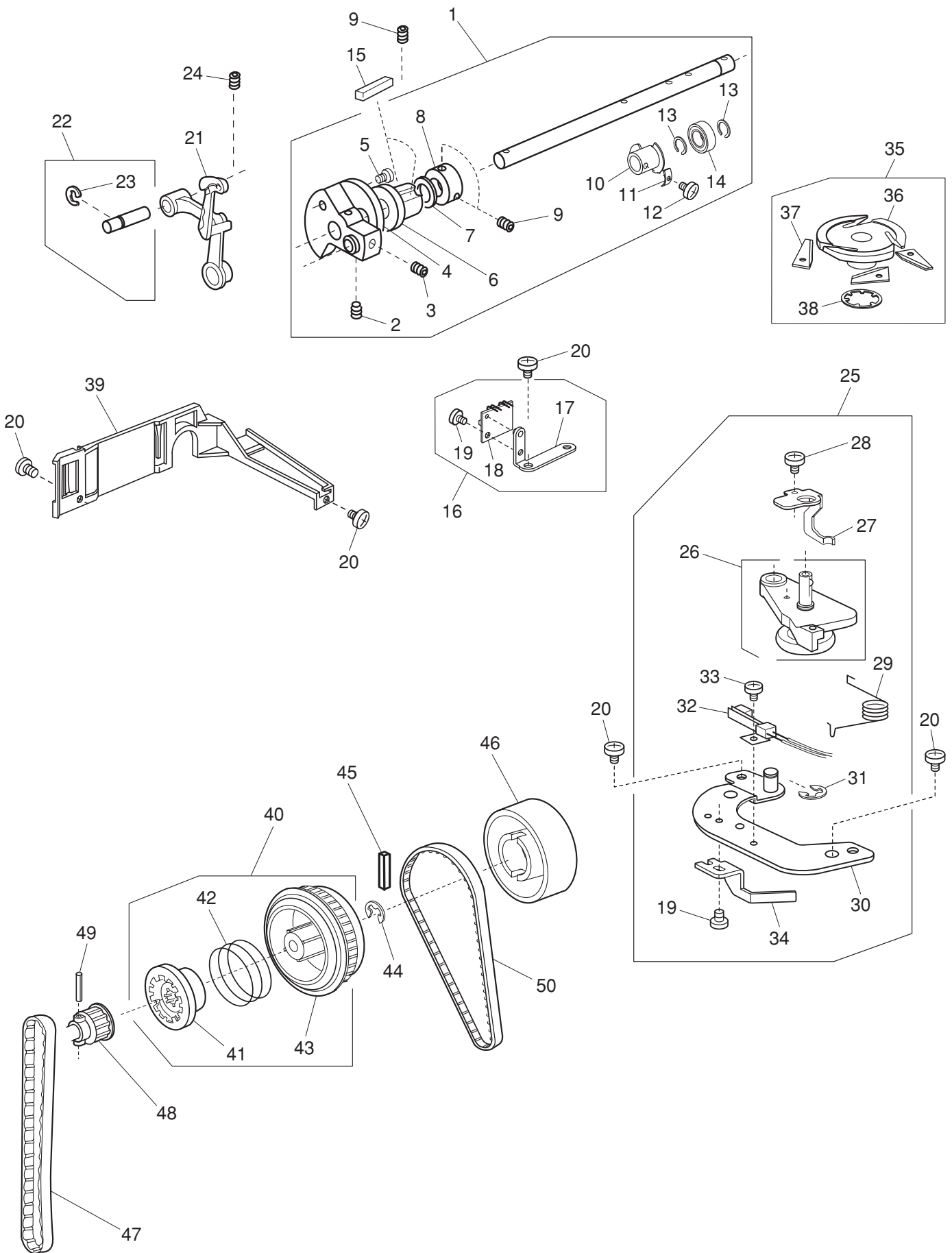
PARTS LIST



PARTS LIST

KEY NO.	PARTS NO.	DESCRIPTION
1	861628003	Feed motor (unit)
2	859215006	Feed balancing dial
3	000110200	Hexagonal socket screw 4x4 (WP)
4	000081005	Setscrew 4x8
5	000002105	Snap ring E-3
6	861670000	Bobbin thread sensor motor (unit)
7	861623008	Bobbin thread detecting converting arm (unit)
8	859606101	Sensor set plate (unit)
9	000013707	Snap ring CS-2.4
10	861151000	Spring
11	861631010	Automatic thread cutter (unit)
12	861077001	Cord guide

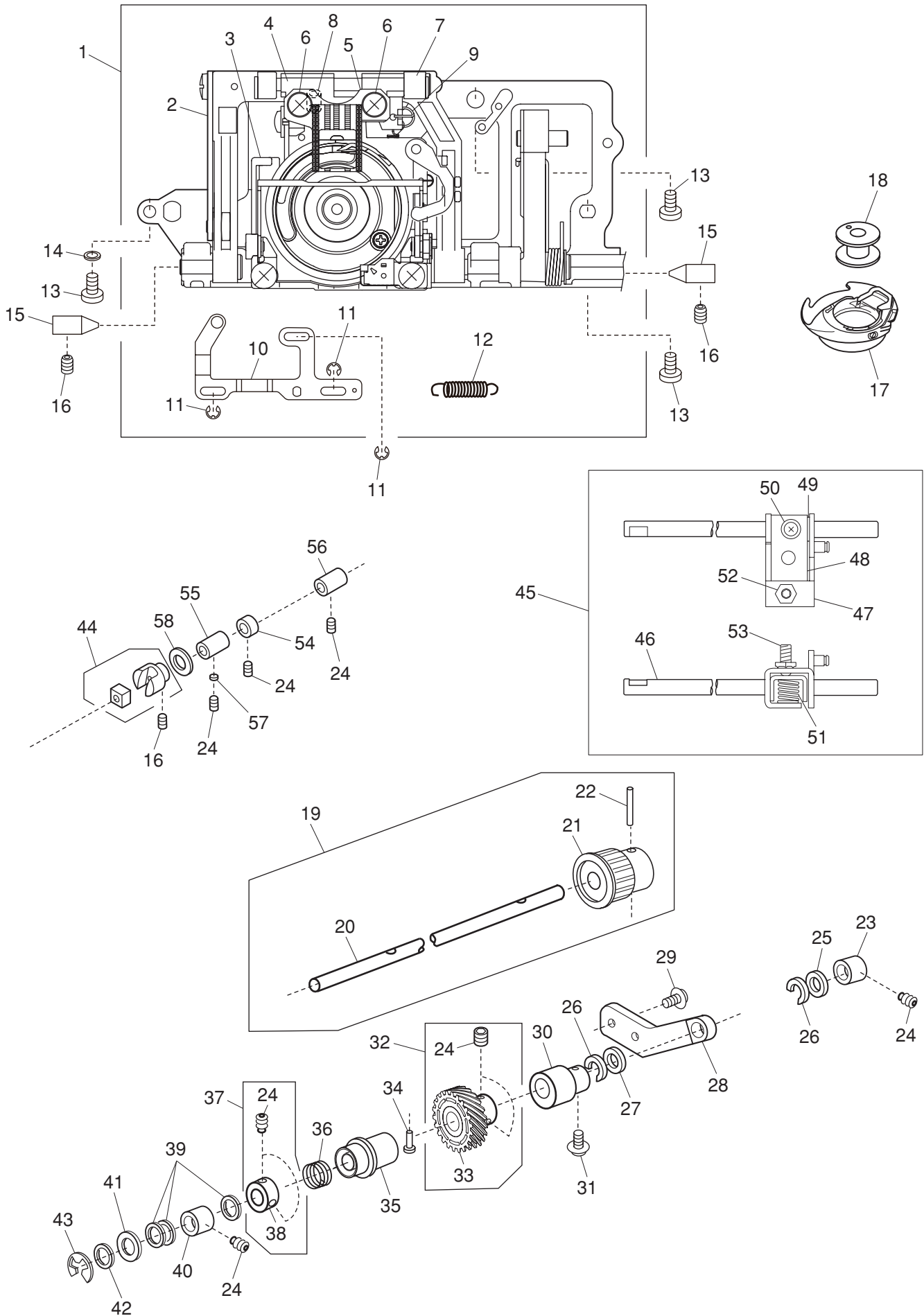
PARTS LIST



PARTS LIST

KEY NO.	PARTS NO.	DESCRIPTION
1	861619001	Upper shaft (unit)
2	000111706	Hexagonal socket screw 5x8
3	000110901	Hexagonal socket screw 5x4
4	832068009	Upper feed lifting cam
5	000078319	Setscrew 3x6
6	670079201	Upper shaft front bushing
7	000040105	Washer
8	767077006	Ring
9	000111304	Hexagonal socket screw 5x5
10	859055006	Upper shaft shield plate
11	859033008	Washer
12	000080406	Setscrew 3x10
13	000032702	Snap ring crescent
14	767178101	Ball bearing
15	731312005	Felt
16	861620005	Upper shaft sensor (unit)
17	861039001	Sensor set plate
18	807505108	Printed circuit board P (unit)
19	000101105	Setscrew 3x4
20	000081005	Setscrew 4x8
21	820511108	Thread take-up lever (unit)
22	650626001	Thread take-up lever pin (unit)
23	000002806	Snap ring E-6
24	000111201	Hexagonal socket screw 4x4
25	861636118	Bobbin winder (unit)
26	861503023	Bobbin winder
27	861096006	Clutch lever
28	000120203	Setscrew 3x8 (B)
29	861091001	Bobbin winder arm spring
30	861092002	Bobbin winder set plate
31	000001609	Snap ring E-5
32	856512100	Leaf switch (unit)
33	000081706	Setscrew 2.5x5
34	861098008	Guide plate
35	809619009	Thread cutter holder (unit)
36	809144008	Thread cutter holder
37	822032003	Bobbin thread cutter
38	000014409	Snap ring CS-8
39	861078002	Cord guide (rear)
40	858647008	Belt wheel (unit)
41	858053001	Clutch ring
42	502065004	Clutch spring
43	858054002	Belt wheel
44	000030009	Snap ring E-10
45	000024206	Spring pin 3x30
46	858055003	Handwheel
47	846098001	Timing belt 178
48	858052000	Upper shaft gear
49	000004303	Spring pin 3x20
50	858118005	Timing belt 168

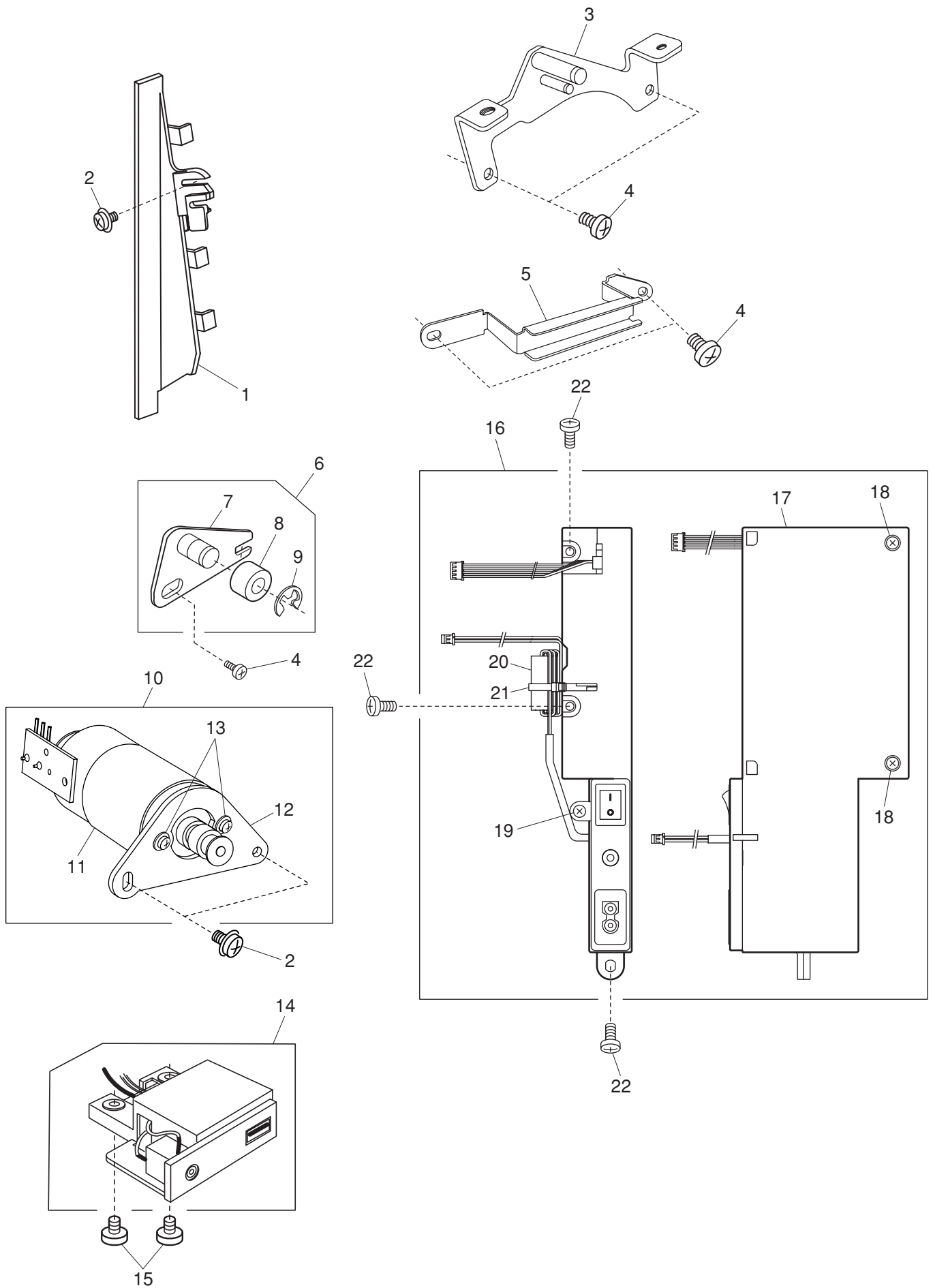
PARTS LIST



PARTS LIST

KEY NO.	PARTS NO.	DESCRIPTION
1	861625000	Feed rock shaft (whole unit)
2	846629100	Feed rock shaft (unit)
3	861626001	Hook race (unit)
4	859639000	Feed dog set base (unit)
5	859113003	Feed dog
6	000104005	Setscrew 3.5x8
7	825099007	Feed dog base shaft
8	000111407	Hexagonal socket screw 4x6
9	825103005	Feed base spring
10	858138001	Drop plate
11	000002105	Snap ring E-3
12	661018008	Spring
13	000081005	Setscrew 4x8
14	000070506	Washer 4
15	738055008	Straight pin
16	000111304	Hexagonal socket screw 5x5
17	846652504	Bobbin holder (unit)
18	102261103	Bobbin
19	861621006	Lower shaft (unit)
20	861040005	Lower shaft
21	650073007	Lower gear
22	000004200	Spring pin 3x18
23	650079003	Lower shaft bushing (rear)
24	000111201	Hexagonal socket screw 4x4
25	822070003	Felt (1)
26	822112008	Felt holder
27	861051009	Felt
28	858058006	Lower shaft supporter
29	000115700	Setscrew TP 4x10
30	846379009	Feed cam
31	000149600	Setscrew 3x14
32	850687109	Lower shaft gear (unit)
33	808137005	Lower shaft gear
34	820161006	Feed lifting pin
35	846103000	Feed lifting cam
36	825093001	Feed lifting cam spring
37	820672005	Lower shaft ring (unit)
38	820166001	Lower shaft ring
39	000038502	Washer
40	858060001	Lower shaft bushing (front)
41	735143005	Felt
42	858177002	Lower shaft washer
43	000002806	Snap ring E-6
44	625508008	Feed regulator (unit)
45	861627002	Feed shaft (unit)
46	861048003	Feed shaft
47	858129009	Feed arm (1)
48	858130003	Feed arm (2)
49	810207004	Washer
50	000201302	Setscrew TP 3x10
51	589040002	Spring
52	000160102	Adjustable lock nut 4
53	000177401	Hexagonal socket screw 4x12
54	820387000	Ring
55	625144002	Feed shaft bushing (front)
56	650092002	Feed shaft bushing (rear)
57	650175000	Washer
58	823110009	Felt

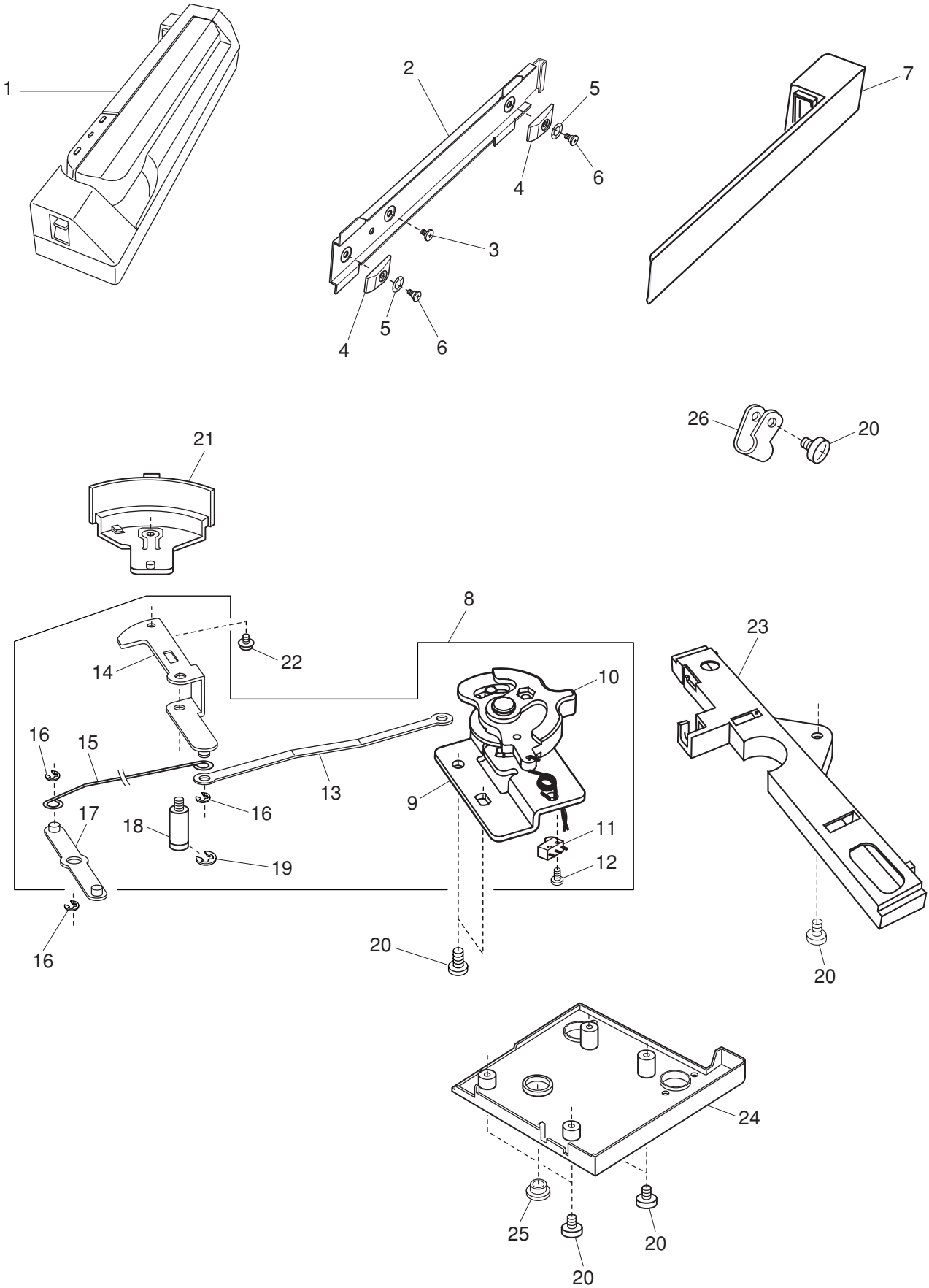
PARTS LIST



PARTS LIST

KEY NO.	PARTS NO.	DESCRIPTION
1	858145012	Cord guide plate
2	000115607	Setscrew TP 4x8
3	861075009	Carrying handle supporter (rear)
4	000081005	Setscrew 4x8
5	861089006	Cord guide
6	860608004	Idler (unit)
7	860021007	Idler base
8	625217100	Idler
9	000002806	Snap ring E-6
10	858639100	DC motor (unit)
11	843518807	DC motor
12	858117004	DC motor bracket
13	000115009	Setscrew TP 3x8
14	861638006	Printed circuit board B case (unit)
15	000101703	Setscrew 4x12
16	861640001	Switching power supply (unit) (U.S.A.) (Canada)
	861640104	Switching power supply (unit) (Australia)
	861640805	Switching power supply (unit) (UK) (Continental Europe)
17	858120000	Switching power supply plate (U.S.A.) (Canada) (Australia)
	858120206	Switching power supply plate (UK) (Continental Europe)
18	000119704	Setscrew 3x14 (B)
19	000161206	Setscrew 3x10 (B)
20	808108007	Ferrite core (Australia) (UK) (Continental Europe)
21	000053101	Cord binder (Australia) (UK) (Continental Europe)
22	000103509	Setscrew 4x10

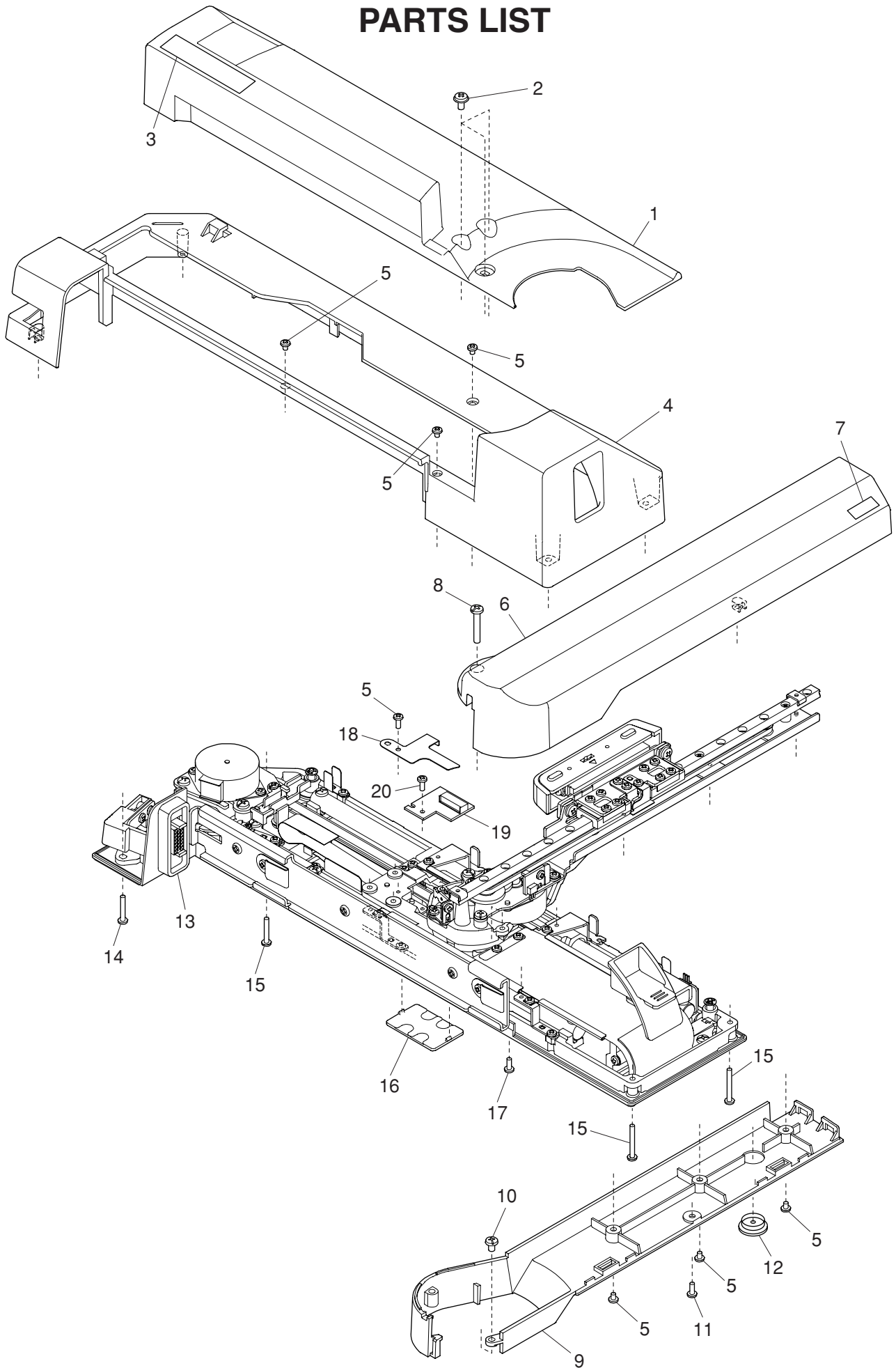
PARTS LIST



PARTS LIST

KEY NO.	PARTS NO.	DESCRIPTION
1	861651108	Embroidery unit (unit) (refer to pages 22 to 25 for details)
2	861087107	Rail
3	810220106	Setscrew
4	859139005	Cushion
5	000116000	Washer 7
6	859273002	Setscrew
7	861088108	Rail cover
8	861637005	Feed dog drop lever (unit)
9	858141007	Feed dog drop lever base
10	858143009	Feed dog drop lever
11	846513904	Micro switch (unit)
12	000102900	Setscrew 2x8
13	861079003	Rod 1
14	861080007	Automatic feed dog drop arm
15	861082009	Rod 2
16	000002105	Snap ring E-3
17	858139002	Drop connecting plate
18	861083000	Automatic feed dog drop shaft
19	000001609	Snap ring E-5
20	000081005	Setscrew 4x8
21	861081008	Automatic feed dog drop lever
22	000114710	Setscrew TP 3x6
23	858159019	Cord guide 2
24	861086106	Base plate
25	626045407	Cap
26	000188601	Nylon clip

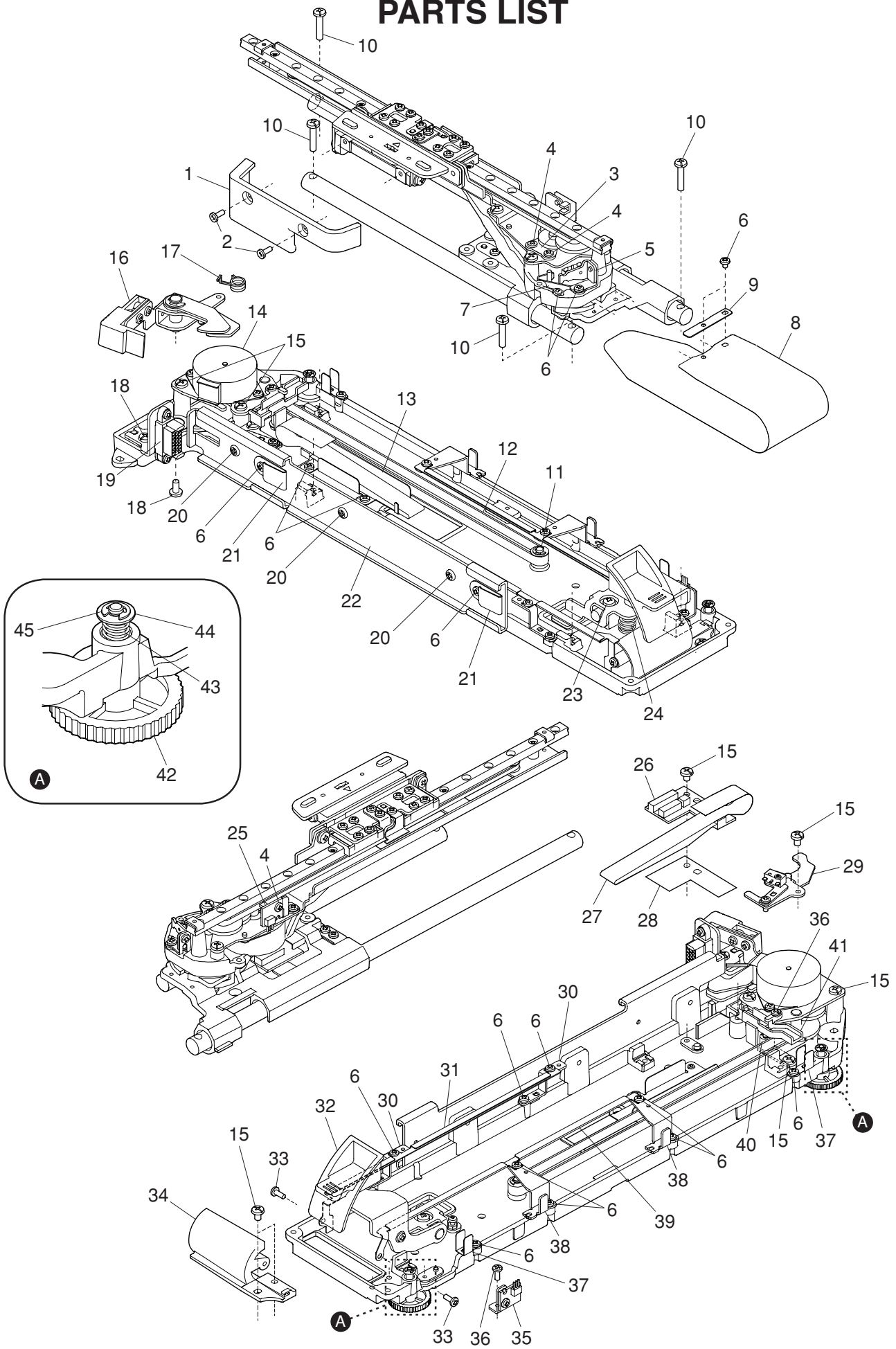
PARTS LIST



PARTS LIST

KEY NO.	PARTS NO.	DESCRIPTION
1	861663000	X-carriage cover (unit)
2	000115607	Setscrew TP 4x8
3	861157006	Y-carriage sticker
4	861662102	Embroidery unit cover (upper) (unit)
5	000101105	Setscrew 3x4
6	861129102	Y-carriage cover (upper)
7	861135008	Carriage sticker
8	000080901	Setscrew 4x25
9	861114001	Y-carriage cover (lower)
10	000101404	Setscrew 4x6
11	000120203	Setscrew 3x8 (B)
12	797141201	Cap
13	861131107	Embroidery unit cover (bottom)
14	000119704	Setscrew 3x14
15	000171405	Setscrew 3x25 (B)
16	850156001	Cover plate
17	000066705	Setscrew 3x8
18	861133006	X-carriage code guide
19	861521005	Printed circuit board S2 (unit)
20	000103808	Setscrew 3x5

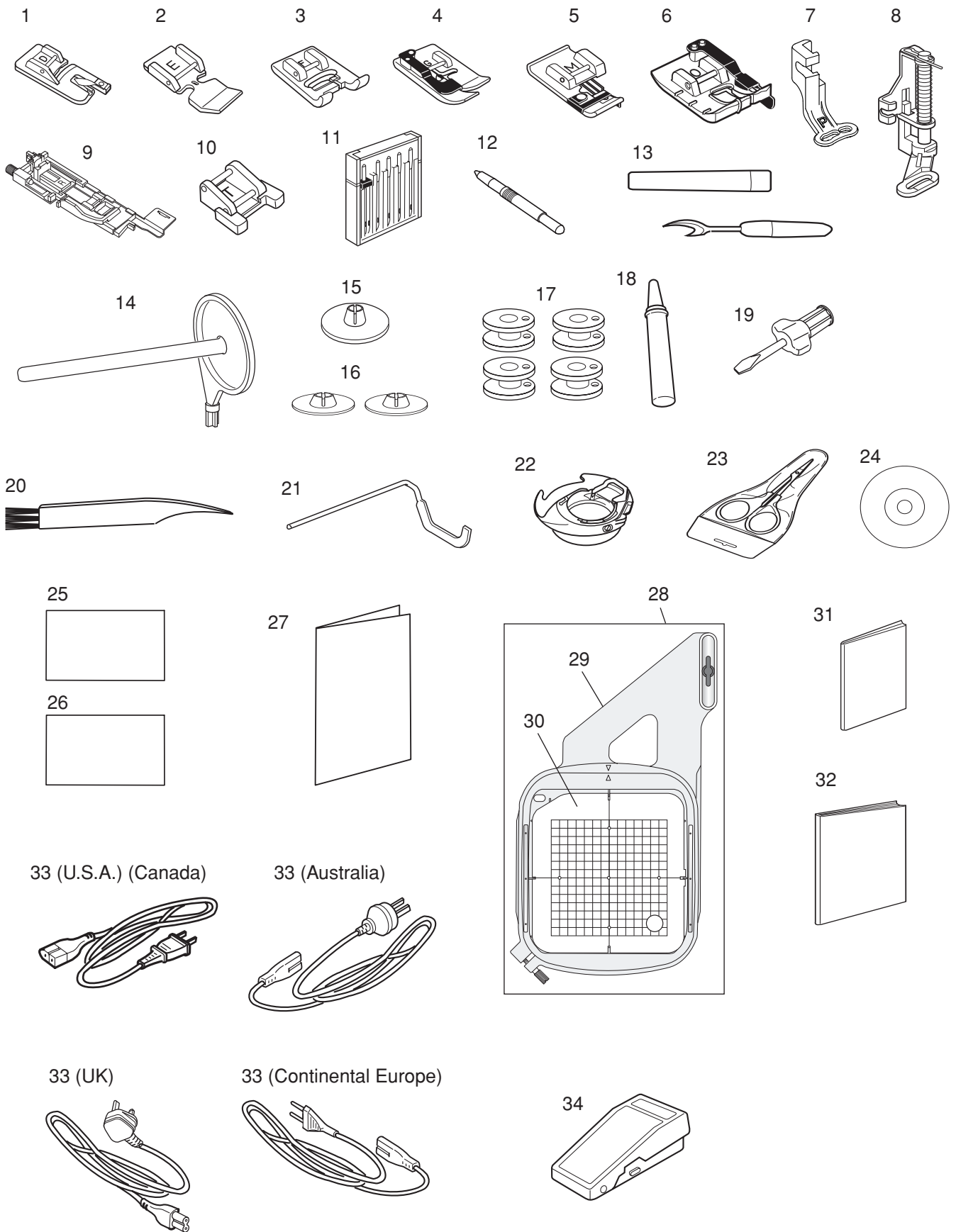
PARTS LIST



PARTS LIST

KEY NO.	PARTS NO.	DESCRIPTION
1	861130003	Carriage side cover
2	000066727	Setscrew 3x8
3	861137000	Y-gear set plate
4	000097406	Setscrew 3x3
5	859670117	Swing switch (unit)
6	000101105	Setscrew 3x4
7	859208006	Swing spring
8	861126006	Film
9	859201009	Film holder
10	000104108	Setscrew 4x20
11	859667007	X-pulley shaft (unit)
12	861100303	Syncro belt 548
13	861105009	Flexible cable guide plate
14	861652006	X-Motor (unit)
15	000101404	Setscrew 4x6
16	861660100	Hook (unit)
17	859186007	Fixed spring
18	000081005	Setscrew 4x8
19	861658002	Connector (unit)
20	810220106	Setscrew
21	859182014	Rail spring
22	861121001	Unit rail
23	000114802	Setscrew TP 4x12
24	858097007	Spring
25	860515209	Printed crcuit board G2 (unit)
26	861520004	Printed crcuit board S1 (unit)
27	859523103	Flexible cable (unit)
28	861104008	Insulation paper
29	861661008	Switch (unit)
30	859202000	Film guide support plate 1
31	861124004	Film guide 2
32	861659003	Release lever (unit)
33	000120203	Setscrew 3x8 (B)
34	859194019	Film guide 1
35	861653007	X-sensor
36	000103808	Setscrew 3x5
37	859239006	Cord guide plate 2
38	859203001	Film guide support plate 2
39	861125005	Film guide 3
40	859669009	Idler base (unit)
41	861132005	X-Motor code guide
42	859209100	Adjusting foot
43	856801408	Slide spring
44	000070104	Washer 3
45	000001207	Snap ring E-2.5

PARTS LIST



PARTS LIST

KEY NO.	PARTS NO.	DESCRIPTION
1	859804008	Rolled hem foot D
2	859805009	Zipper foot E
3	859806011	Satin stitch foot F
4	859807001	Blind hemming foot G
5	859810007	Overedge foot M
6	859814012	1/4" Seam foot O
7	861802003	Embroidery foot P
8	859839002	Darning foot PD-H
9	859809069	Automatic buttonhole foot R
10	859811008	Button sewing foot T
11	859856005	Needle case (unit)
12	860194002	Touch panel stylus
13	560406104	Seam ripper (buttonhole opener)
14	809041004	Extra spool pin
15	822020503	Spool holder (large)
16	822019509	Spool holder (small)
17	102261103	Bobbin
18	859858007	Bobbin holder cleaner
19	820832005	Screwdriver
20	802424004	Lint brush
21	755802001	Quilting guide bar
22	846652607	Bobbin holder (unit) tension 20gf
23	803813203	Scissors
24	861824001	Template CD (unit)
25	861809000	Key icon reference chart (Common) (English)
	861809011	Key icon reference chart (Common) (French)
	861809022	Key icon reference chart (Common) (German)
	861809033	Key icon reference chart (Common) (Dutch)
26	861810004	Key icon reference chart (Embroidery) (English)
	861810015	Key icon reference chart (Embroidery) (French)
	861810026	Key icon reference chart (Embroidery) (German)
	861810037	Key icon reference chart (Embroidery) (Dutch)
27	862858007	Optional accessories catalog
28	861804407	Embroidery hoop SQ14a (whole unit)
29	861804005	Embroidery hoop SQ14a (unit)
30	861804304	Template SQ14a
31	858801002	Caution card
32	861800573	Instruction book (English)
	861800584	Instruction book (French)
	861800595	Instruction book (German)
	861800609	Instruction book (Dutch)
33	856519004	Power cable (U.S.A.) (Canada)
	830314018	Power cable (Australia)
	830377008	Power cable (UK)
	830335004	Power cable (Continental Europe)
34	C-1036	Foot control