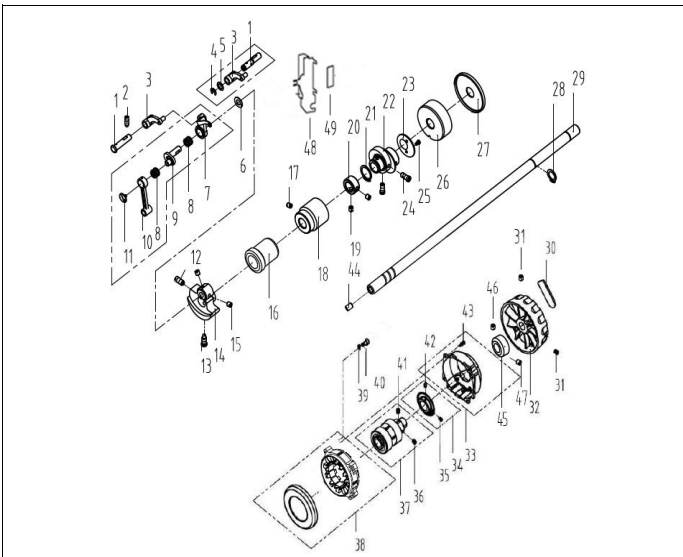


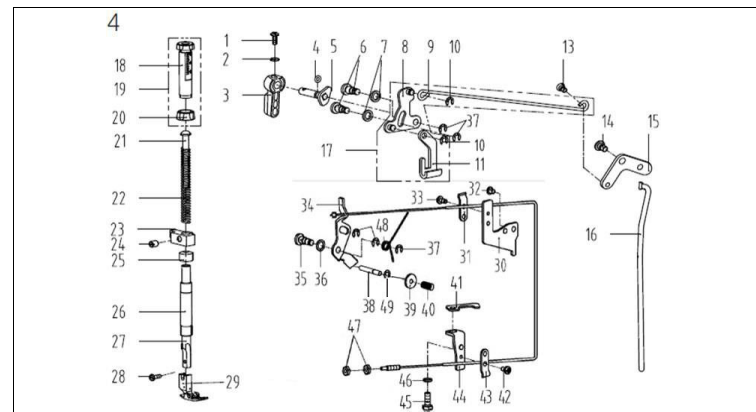
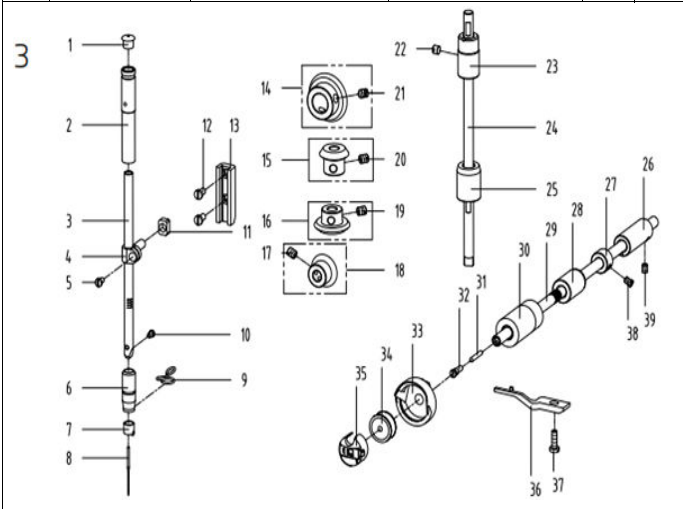
1. 机壳、外装组件/Machine Frame & Miscellaneous Cover Components

Table with 7 columns: 序号NO., 公司件号, Part NO., 名称, PartName, 零件描述, Description, 数量, Number. Lists various components like screws, bolts, and covers.



2. 上轴挑线分组件/Main Shaft & Thread Take-up Components

Table with 7 columns: 序号NO., 公司件号, Part NO., 名称, PartName, 零件描述, Description, 数量, Number. Lists components like bearings, gears, and shafts.

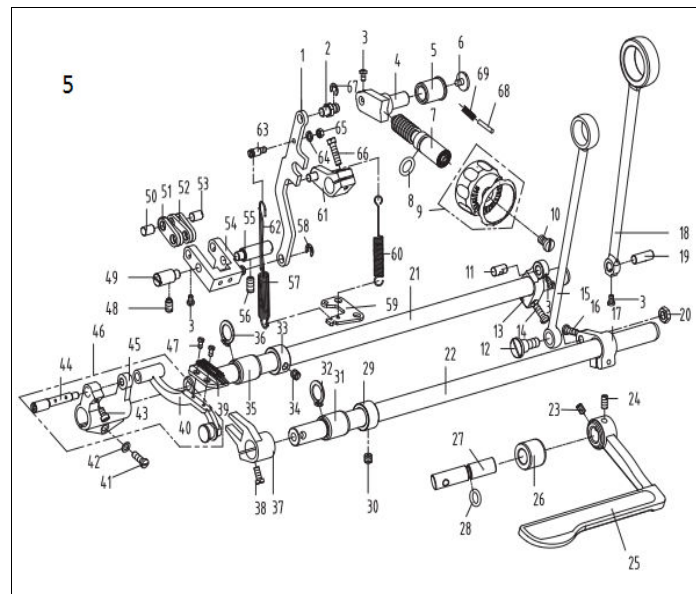


4. 压料、自动抬压脚分组件/Presser Bar , Auto Lifter Components

Table with 7 columns: 序号NO., 公司件号, Part NO., 名称, PartName, 零件描述, Description, 数量, Number. Lists presser bar and lifter components.

3. 针杆、竖轴、下轴部件/Needle bar,Upright Shaft & Hook Driving Shaft Components

Table with 7 columns: 序号NO., 公司件号, Part NO., 名称, PartName, 零件描述, Description, 数量, Number. Lists needle bar and shaft components.



5. 送料分组件/Feed Mechanism Components

Table with 7 columns: 序号NO., 公司件号, Part NO., 名称, PartName, 零件描述, Description, 数量, Number. Lists feed mechanism components.

