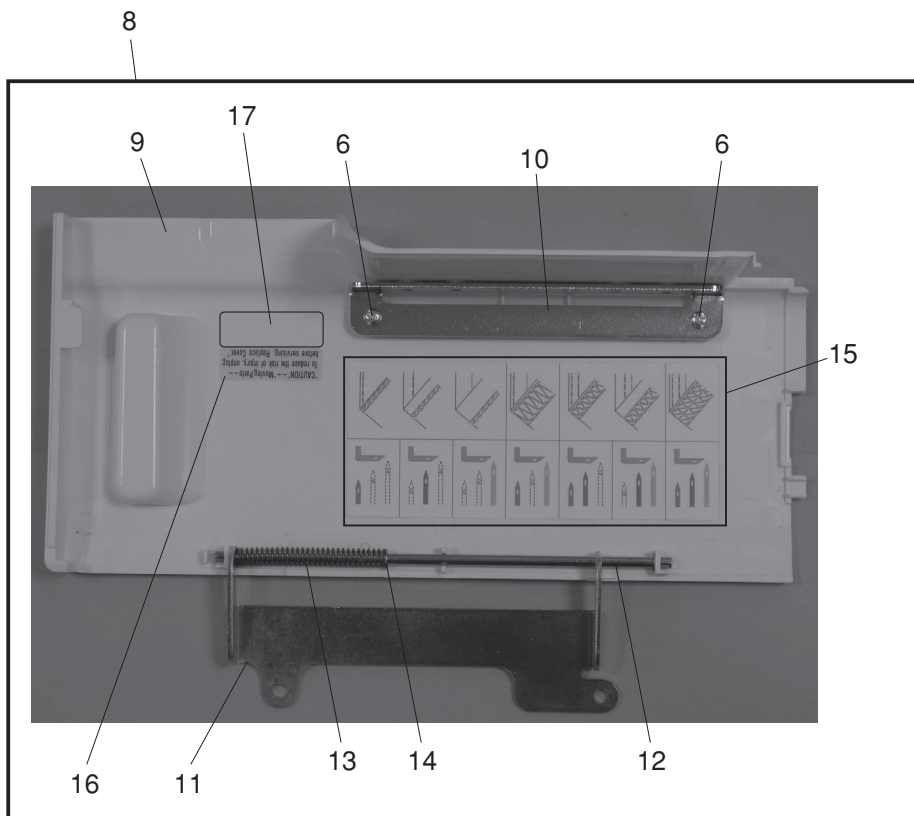
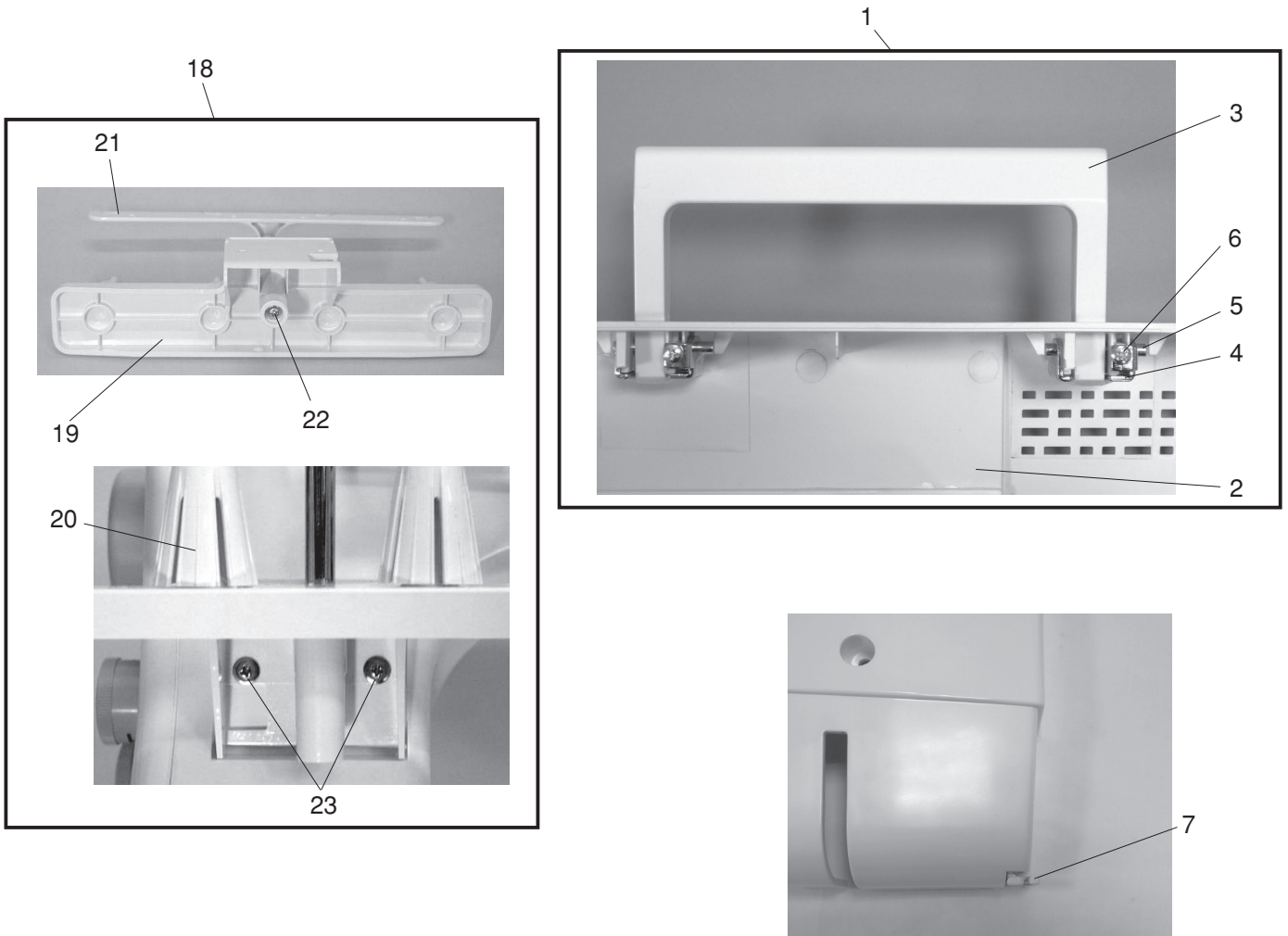


SERVICE MANUAL
&
PARTS LIST

MODEL: Cover Pro 2000CPX

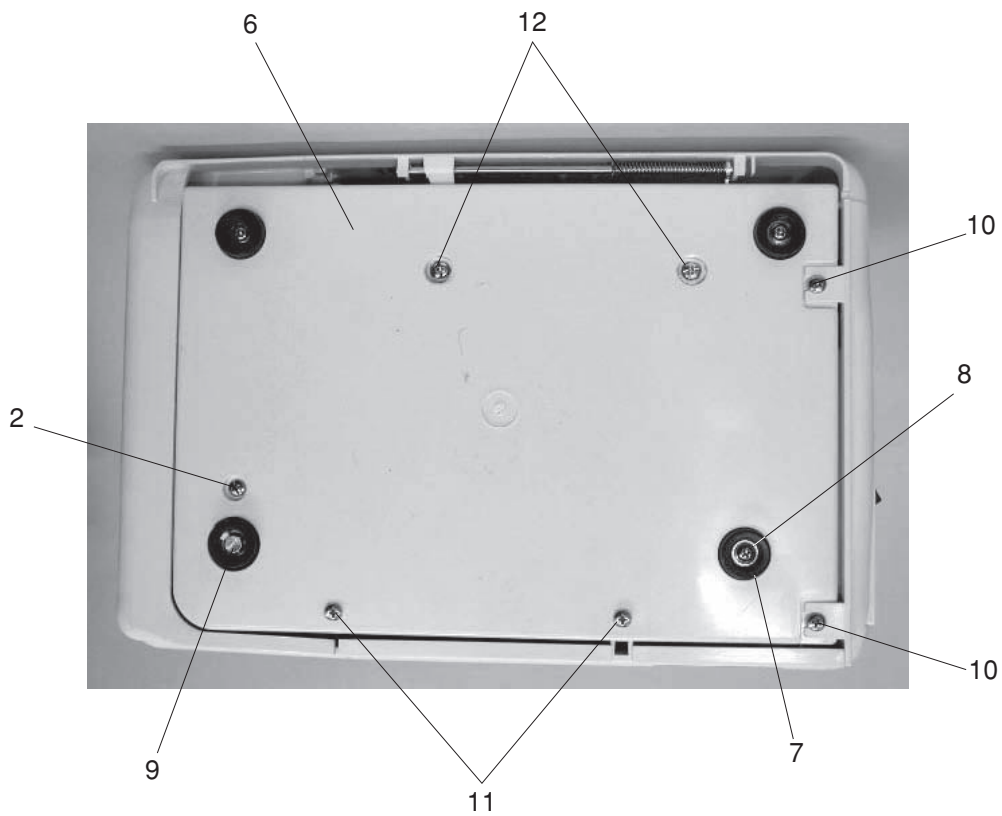
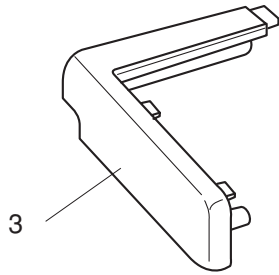
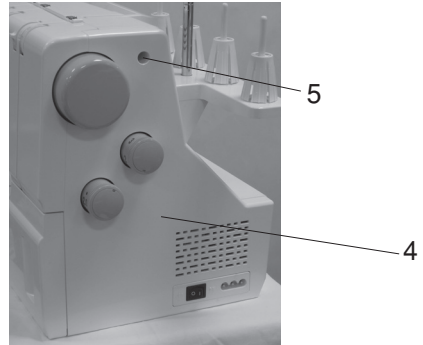
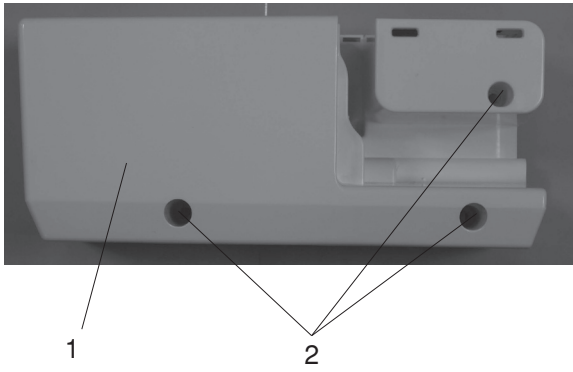
PARTS LIST



PARTS LIST

| KEY NO. | PARTS NO. | DESCRIPTION |
|------------|--------------|---|
| 1 | 795648001 | Rear cover (unit) |
| 2 | 795175A01 | Rear cover |
| 3 | 795004009 | Handle |
| 4 | 795005000 | Handle supporter |
| 5 | 730015002 | Handle shaft |
| 6 | 000120203 | Setscrew 3x8 (B) |
| 7 | 840602006 | Thread cutter (unit) |
| 8 | 795650006 | Looper cover (unit) (U.S.A.) |
| | 795650017 | Looper cover (unit) (Continental Europe) (Australia) (UK) |
| | 795650028 | Looper cover (unit) (Canada) |
| 9 | 795177A01 | Looper cover |
| 10 | 795102008 | Attachment set plate |
| 11 | 795011009 | Looper cover supporter |
| 12 | 795013001 | Looper cover shaft |
| 13 | 795150001 | Looper cover spring |
| 14 | 000002105 | Snap ring E-3 |
| 15 | 795015A01 | Stitch chart |
| 16 | 830312016 | Caution sticker (U.S.A.) |
| 17 | 100970003 | Caution sticker (Canada) |
| 18 | 789606008 | Spool stand (unit) |
| 19 | 777011003 | Spool stand |
| 20 | 784223105 | Spool holder |
| 21 | 789607009 | Thread guide bar (unit) |
| 22 | 000115700 | Setscrew TP 4x10 |
| 23 | 000114802 | Setscrew TP 4x12 |

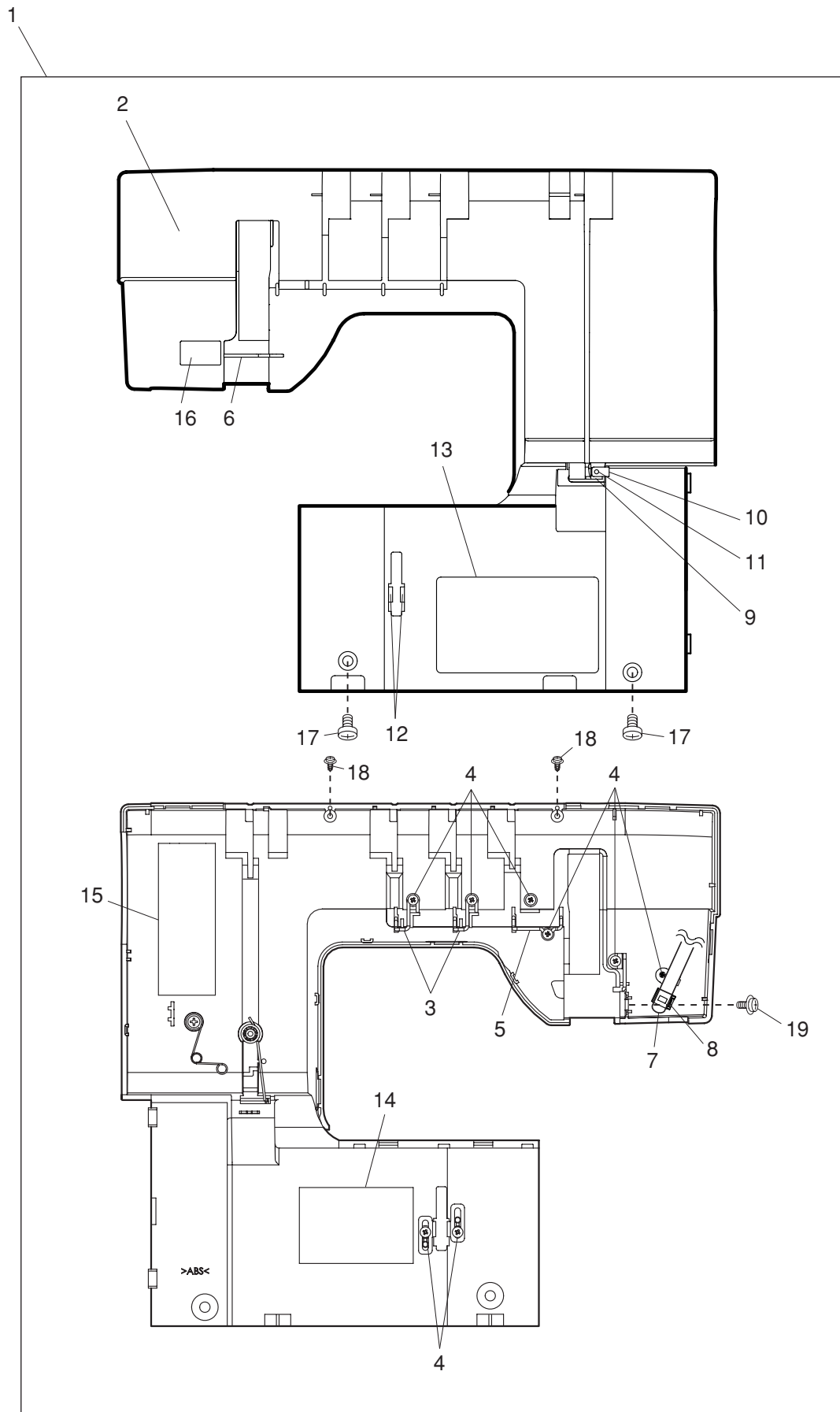
PARTS LIST



PARTS LIST

| KEY NO. | PARTS NO. | DESCRIPTION |
|------------|--------------|------------------------|
| 1 | 795179006 | Free-arm cover |
| 2 | 000081005 | Setscrew 4x8 |
| 3 | 795180000 | Extension table |
| 4 | 795176A01 | Belt cover |
| 5 | 000101703 | Setscrew 4x12 |
| 6 | 795112001 | Base plate |
| 7 | 605074008 | Rubber foot |
| 8 | 000119106 | Setscrew TP 4x10 |
| 9 | 795634004 | Adjusting screw (unit) |
| 10 | 000234603 | Setscrew 4x10 |
| 11 | 000198305 | Setscrew 4x10 (B) |
| 12 | 000081016 | Setscrew 4x8 |

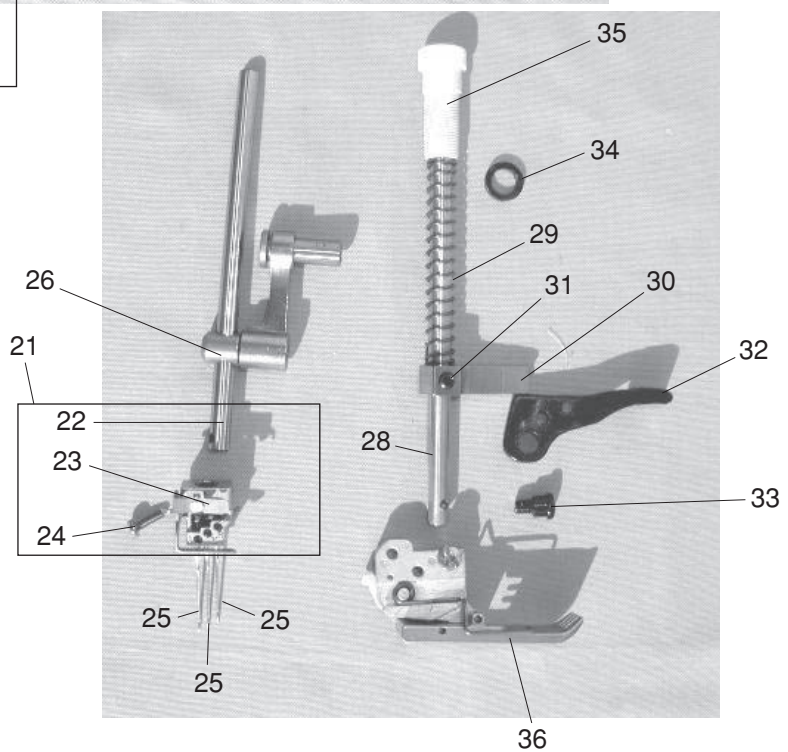
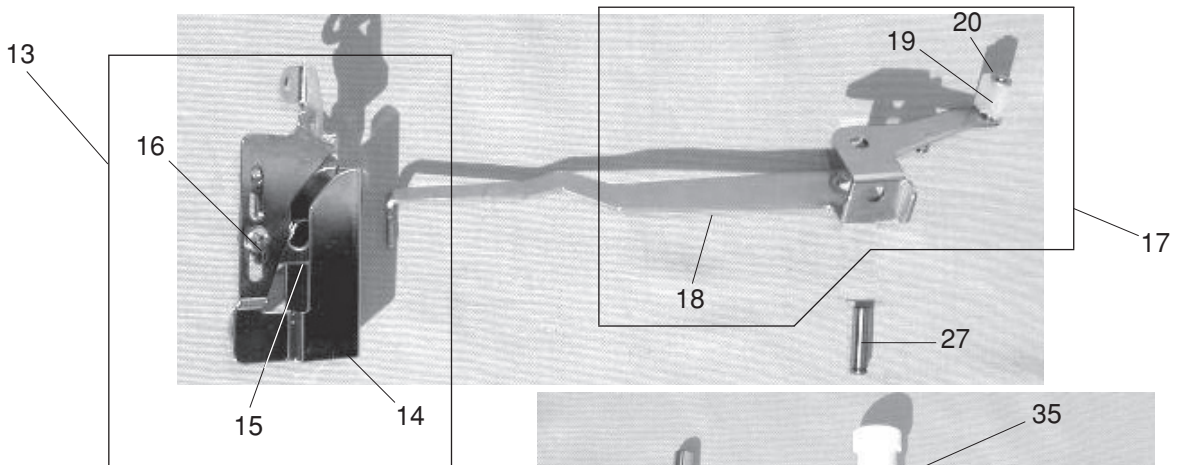
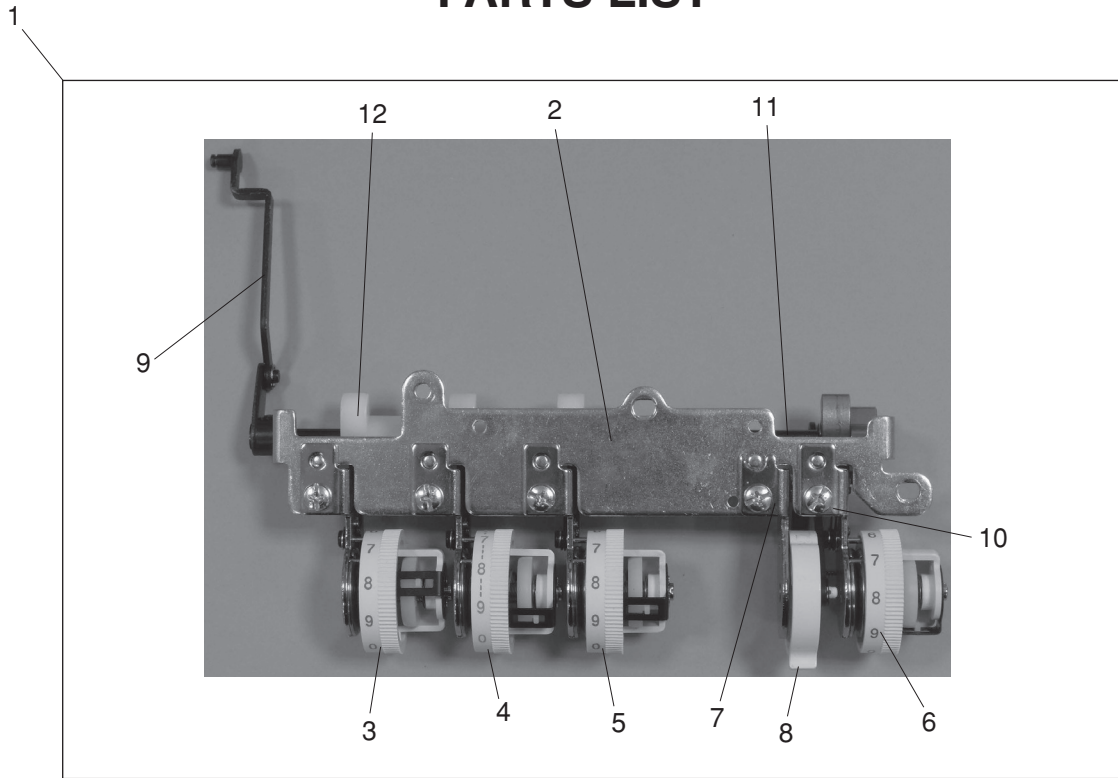
PARTS LIST



PARTS LIST

| KEY NO. | PARTS NO. | DESCRIPTION |
|------------|--------------|-------------------------|
| 1 | 795652008 | Front cover (unit) |
| 2 | 795174A01 | Front cover |
| 3 | 795040007 | Needle thread guide (1) |
| 4 | 000149301 | Setscrew 3x8 (B) |
| 5 | 795192005 | Needle thread guide |
| 6 | 795042009 | Needle thread guide (3) |
| 7 | 508515208 | LED (unit) |
| 8 | 508143005 | LED holder |
| 9 | 795165009 | Looper thread guide (1) |
| 10 | 795167001 | Spring |
| 11 | 820374004 | Setscrew 2x2.3 |
| 12 | 795045002 | Looper thread guide (2) |
| 13 | 795046A01 | Thread guide chart |
| 14 | 795143104 | Vibration absorber 1 |
| 15 | 795143300 | Vibration absorber 3 |
| 16 | 795146004 | Sticker |
| 17 | 000081016 | Setscrew 4x8 |
| 18 | 000149002 | Setscrew 3x10 (B) |
| 19 | 000115607 | Setscrew TP 4x8 |

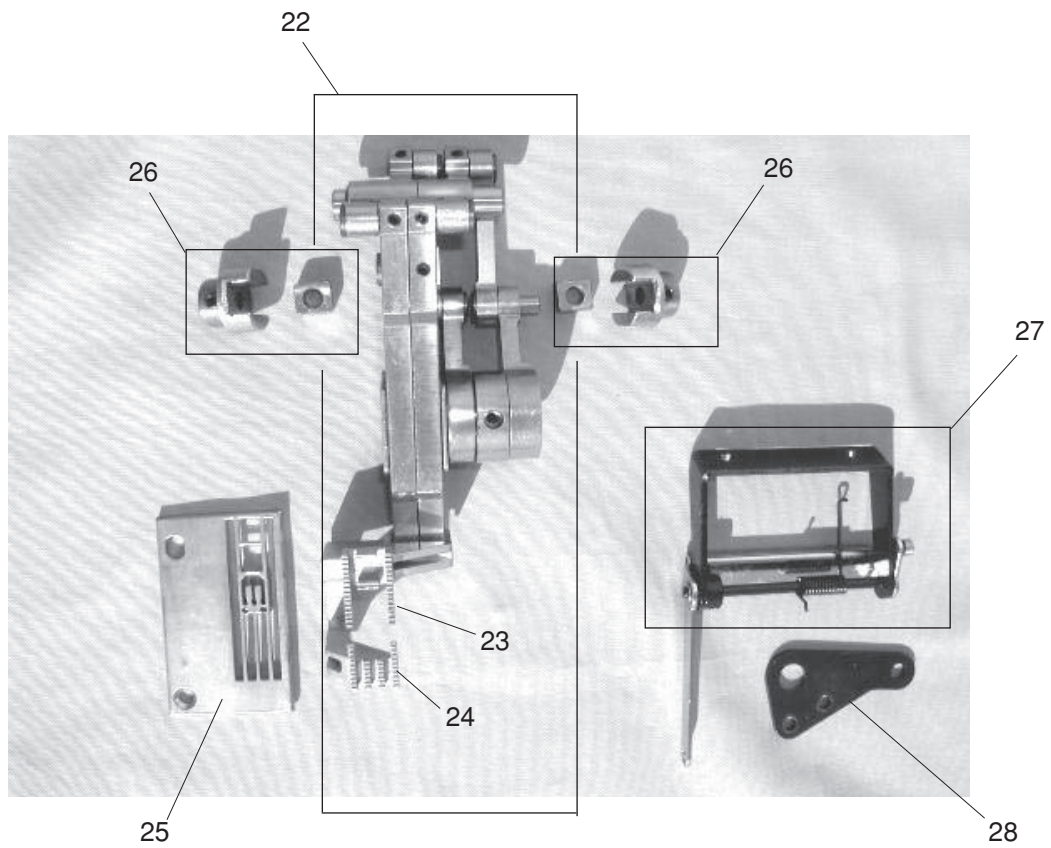
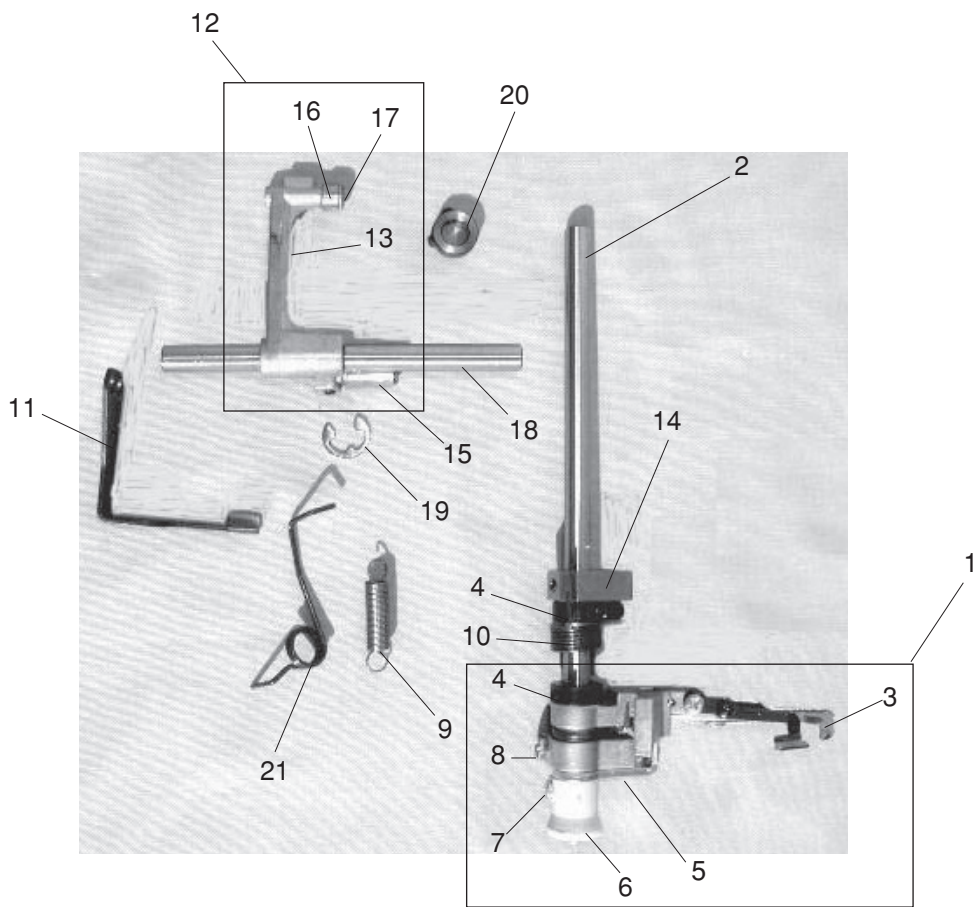
PARTS LIST



PARTS LIST

| KEY NO. | PARTS NO. | DESCRIPTION |
|------------|--------------|---------------------------------------|
| 1 | 795645008 | Thread tension set plate (unit) |
| 2 | 795104000 | Thread tension set plate |
| 3 | 795502002 | Needle thread tension (L) (unit) |
| 4 | 796503006 | Needle thread tension (C) (unit) |
| 5 | 795503003 | Needle thread tension (R) (unit) |
| 6 | 795504004 | Looper thread tension (unit) |
| 7 | 795646102 | Thread guide upper (unit) |
| 8 | 795647000 | Looper thread tension switching lever |
| 9 | 795615009 | Thread tension release lever (unit) |
| 10 | 000101415 | Setscrew 4x6 |
| 11 | 795108107 | Thread releasing shaft |
| 12 | 795191004 | Cam |
| 13 | 795605006 | Thread take-up lever cover (unit) |
| 14 | 795043000 | Thread take-up lever cover |
| 15 | 795121003 | Thread take-up lever |
| 16 | 000097406 | Setscrew 3x3 |
| 17 | 795604005 | Needle thread take-up lever (unit) |
| 18 | 795026007 | Needle thread take-up lever |
| 19 | 795123005 | Cam follower |
| 20 | 000001207 | Snap ring E-2.5 |
| 21 | 796602006 | Needle bar (unit) |
| 22 | 795018006 | Needle bar |
| 23 | 796603007 | Needle clamp (unit) |
| 24 | 000080428 | Setscrew 3x10 |
| 25 | 795031005 | Needle ELx705-12 |
| 26 | 795024005 | Needle bar connecting stud |
| 27 | 795629006 | Take-up lever supporter pin (unit) |
| 28 | 784029006 | Presser bar |
| 29 | 795029000 | Presser bar spring |
| 30 | 724118007 | Presser bar bracket |
| 31 | 000111304 | Hexagonal socket screw 5x5 |
| 32 | 650032015 | Presser foot lifter |
| 33 | 810431009 | Hinge screw |
| 34 | 102061008 | Washer |
| 35 | 795030004 | Pressure adjusting screw |
| 36 | 796501004 | Presser foot (unit) |

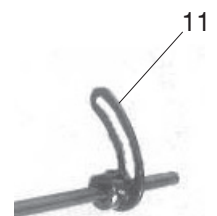
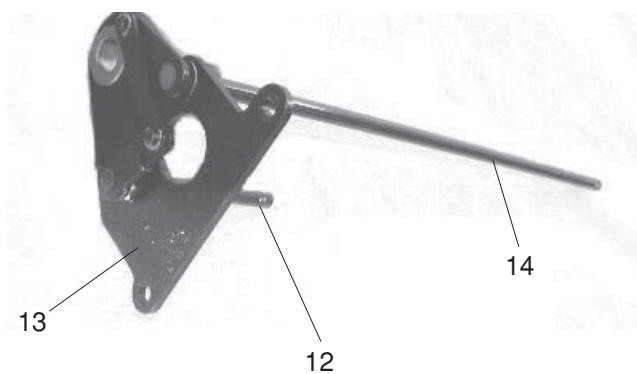
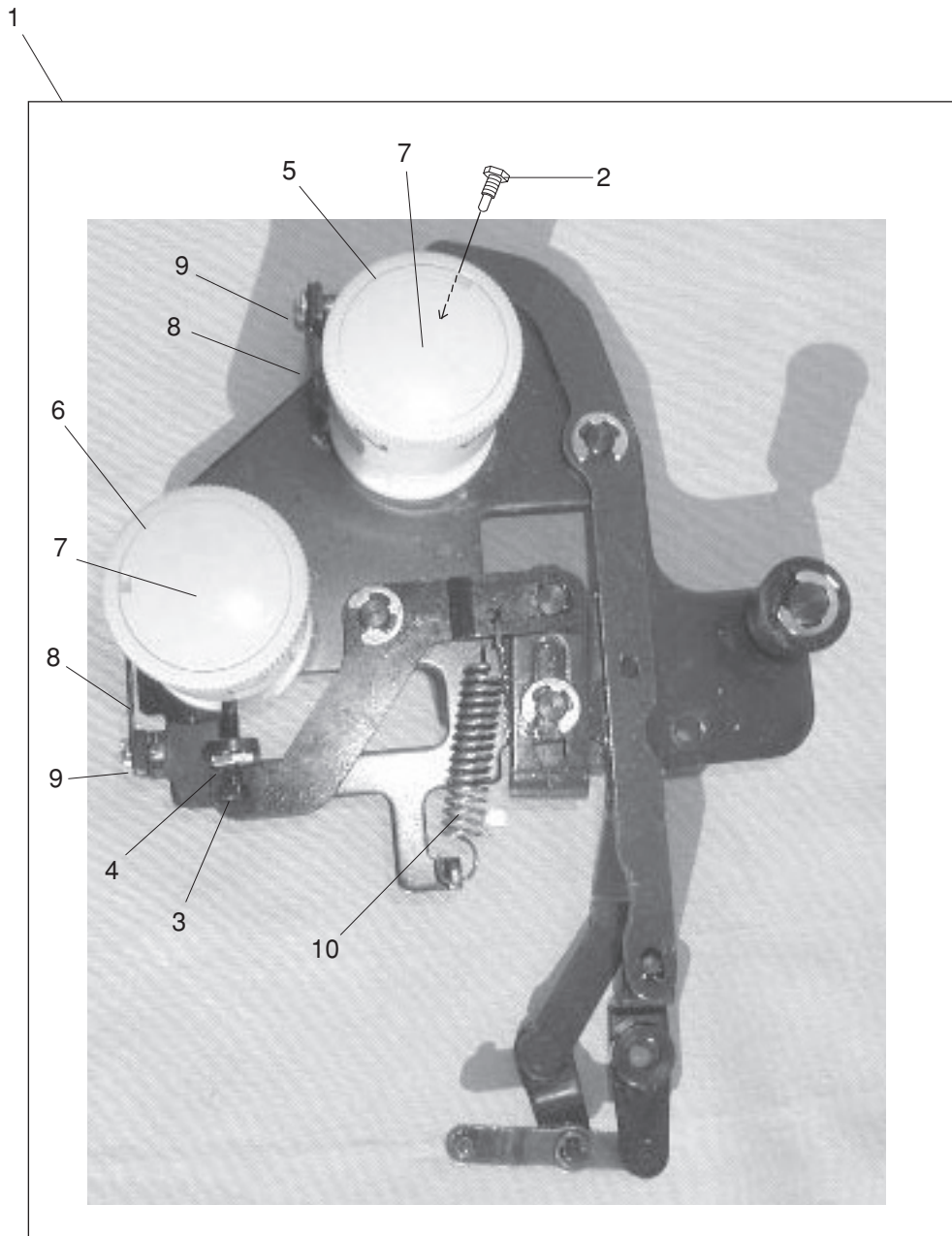
PARTS LIST



PARTS LIST

| KEY NO. | PARTS NO. | DESCRIPTION |
|------------|--------------|------------------------------------|
| 1 | 795613007 | Looper shaft (unit) |
| 2 | 795092004 | Looper shaft |
| 3 | 795614008 | Looper (unit) |
| 4 | 792048006 | Looper shaft ring |
| 5 | 795099001 | Looper link arm |
| 6 | 795101007 | Looper release knob |
| 7 | 000101116 | Setscrew 3x4 |
| 8 | 000138008 | Hexagonal bolt 4x16 |
| 9 | 795132007 | Looper spring |
| 10 | 795135000 | Looper rocking spring |
| 11 | 795085004 | Needle guard |
| 12 | 795612006 | Looper crank arm |
| 13 | 795089008 | Looper rocking arm |
| 14 | 795093005 | Looper arm |
| 15 | 795090002 | Looper slider block |
| 16 | 795034008 | Looper cam roller |
| 17 | 795053003 | Looper cam roller pin |
| 18 | 795088007 | Looper rocking shaft |
| 19 | 000002909 | Snap ring E-7 |
| 20 | 624245001 | Thrust stopper |
| 21 | 795127009 | Looper crank spring |
| 22 | 795610004 | Main feed base (unit) |
| 23 | 795060003 | Main feed dog |
| 24 | 795061004 | Sub feed dog |
| 25 | 796601005 | Needle plate (unit) |
| 26 | 785521006 | Feed regulator (unit) |
| 27 | 795609000 | Looper thread take-up lever (unit) |
| 28 | 795073009 | Link shaft support base |

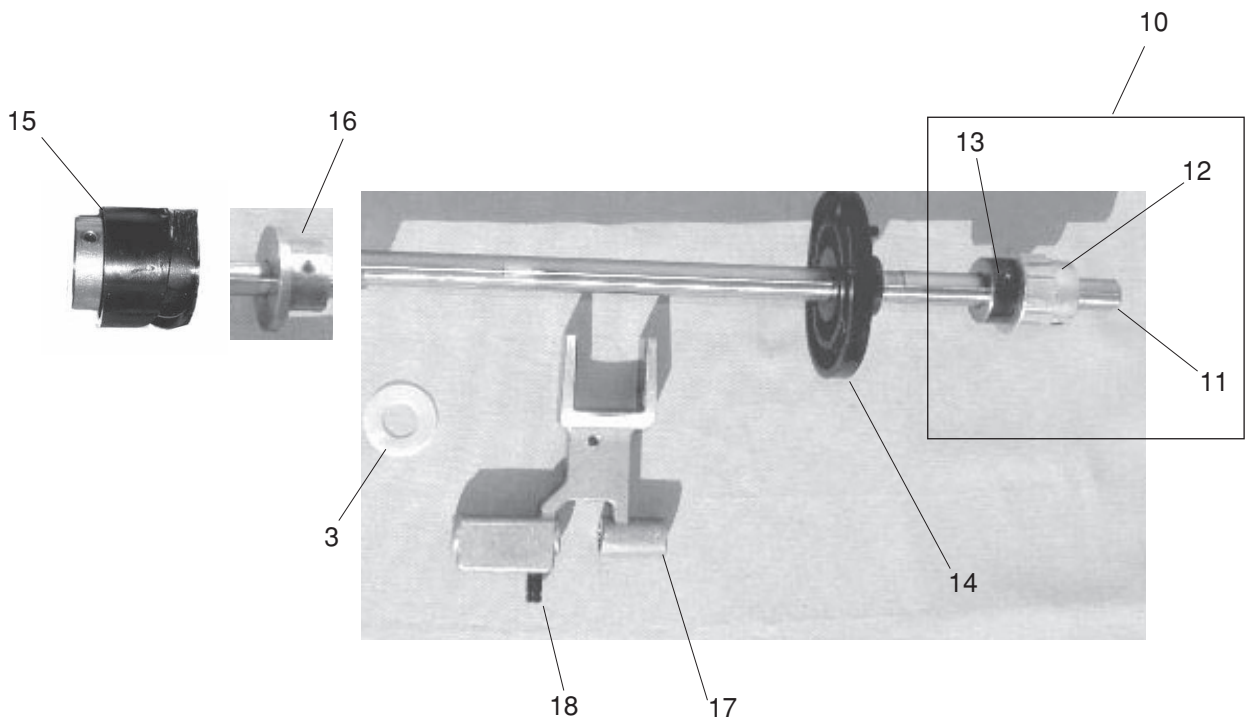
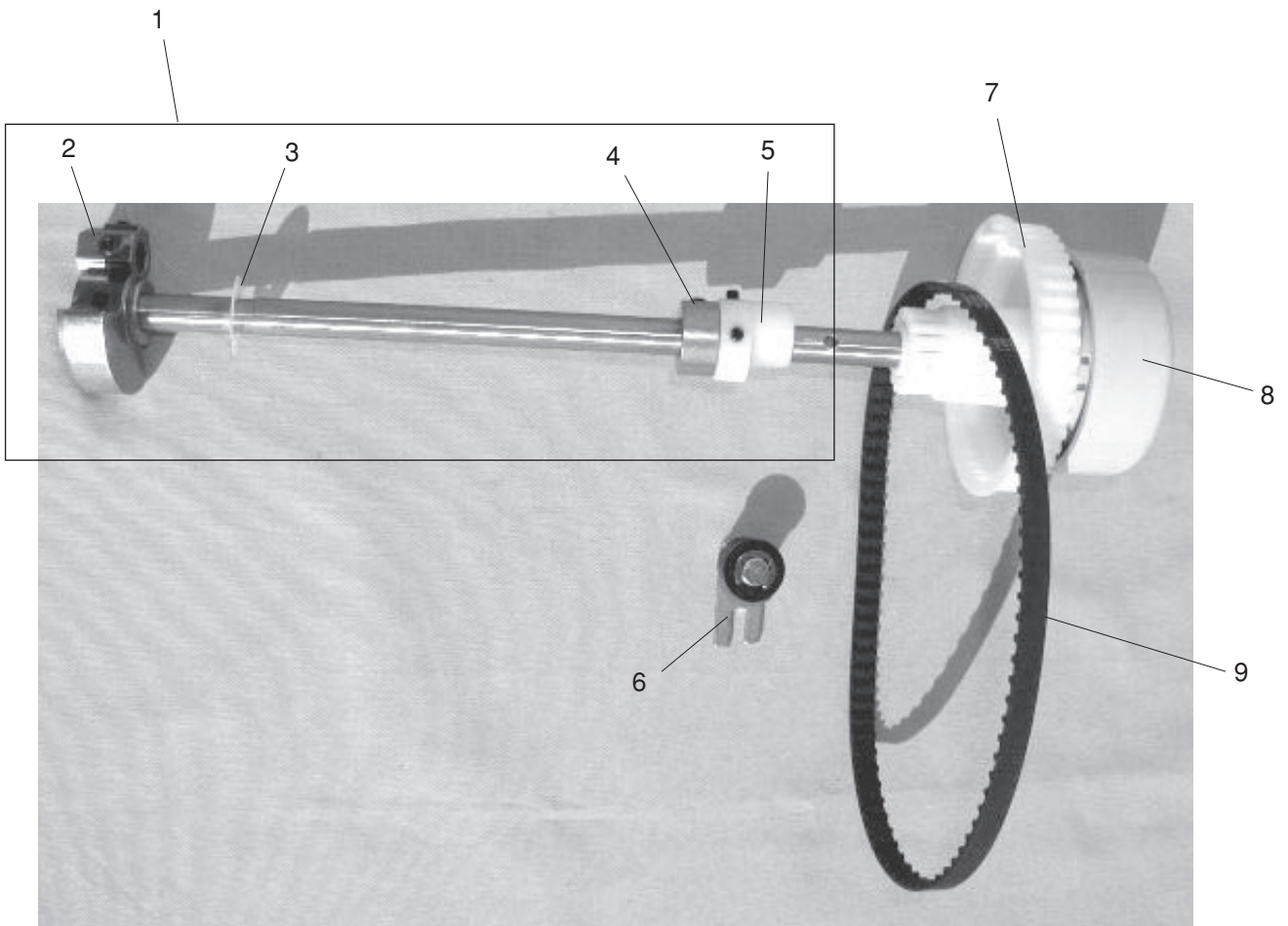
PARTS LIST



PARTS LIST

| KEY NO. | PARTS NO. | DESCRIPTION |
|------------|--------------|------------------------------|
| 1 | 795611108 | Feed adjuster bracket (unit) |
| 2 | 652056000 | Adjusting screw |
| 3 | 785224006 | Adjusting screw |
| 4 | 000160102 | Adjustable nut 4 |
| 5 | 795087109 | Stitch length dial |
| 6 | 795087202 | Differential feed dial |
| 7 | 794099008 | Dial cap |
| 8 | 787263003 | Spring |
| 9 | 000081119 | Setscrew 4x6 |
| 10 | 787259006 | Spring |
| 11 | 794053000 | Sub feed link arm |
| 12 | 795074000 | Sub feed convert arm shaft |
| 13 | 795076002 | Lower shaft base |
| 14 | 795077003 | Sub feed link arm shaft |

PARTS LIST



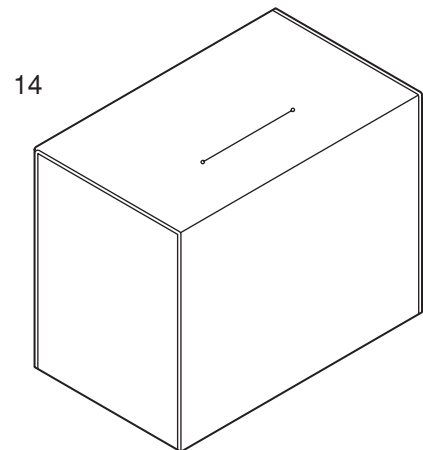
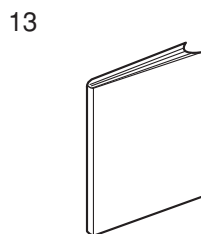
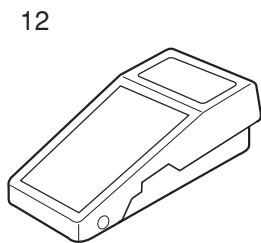
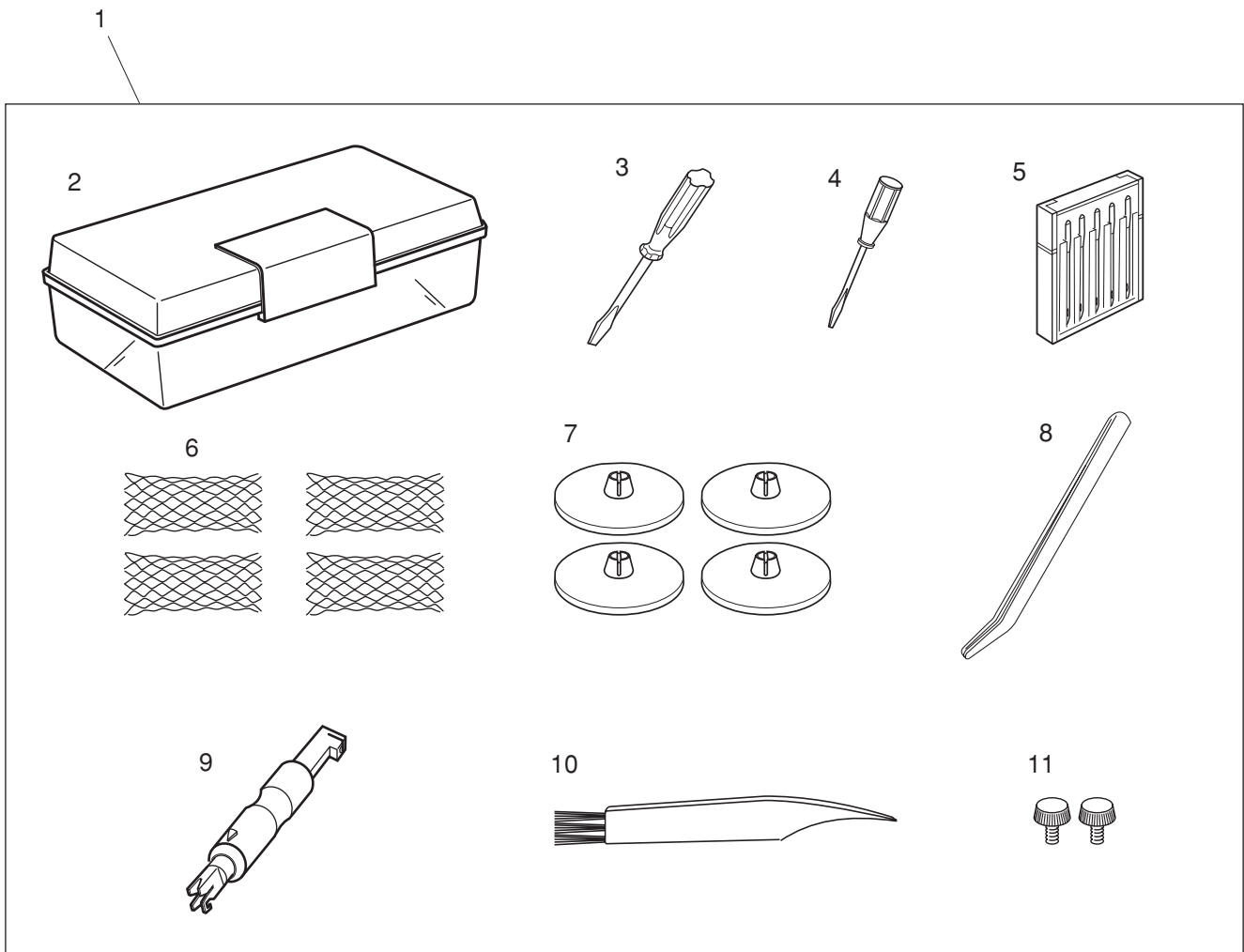
PARTS LIST

| KEY NO. | PARTS NO. | DESCRIPTION |
|------------|--------------|---------------------------------|
| 1 | 795606007 | Upper shaft (unit) |
| 2 | 795048005 | Needle bar crank |
| 3 | 000038605 | Washer |
| 4 | 639095000 | Ring |
| 5 | 795125007 | Needle thread take-up lever cam |
| 6 | 795607008 | Idler (unit) |
| 7 | 795632013 | Belt wheel (unit) |
| 8 | 846081104 | Handwheel |
| 9 | 795050000 | Timing belt |
| 10 | 795608009 | Lower shaft (unit) |
| 11 | 795051001 | Lower shaft |
| 12 | 795173000 | Lower shaft timing gear |
| 13 | 619006002 | Upper shaft ring |
| 14 | 795057007 | Looper take-up lever cam |
| 15 | 795628005 | Looper rocking cam (unit) |
| 16 | 795055005 | Looper cam |
| 17 | 795056006 | Looper rod |
| 18 | 795134009 | Screw |

PARTS LIST

| KEY NO. | PARTS NO. | DESCRIPTION |
|------------|--------------|--|
| 1 | 796609106 | Machine socket (unit) (U.S.A.) (Canada) |
| | 796609209 | Machine socket (unit) (Continental Europe) |
| | 796609302 | Machine socket (unit) (Australia) (UK) |
| 2 | 795626210 | Motor (unit) (U.S.A.) (Canada) |
| | 795627015 | Motor (unit) (Continental Europe) |
| | 795627118 | Motor (unit) (Australia) (UK) |
| 3 | 795518001 | Motor (unit) (U.S.A.) (Canada) |
| | 795520006 | Motor (unit) (Continental Europe) |
| | 795521007 | Motor (unit) (Australia) (UK) |
| 4 | 795504101 | Machine socket (unit) (U.S.A.) (Canada) |
| | 795502109 | Machine socket (unit) (Continental Europe) (Australia) (UK) |
| 5 | 794087003 | Machine socket cover |
| 6 | 795651007 | Printed circuit board C case (unit) (U.S.A.) (Canada) |
| | 795651018 | Printed circuit board C case (unit) (Continental Europe) (Australia) (UK) |
| 7 | 795181001 | Printed circuit board C case |
| 8 | 508512205 | Printed circuit board C (U.S.A.) (Canada) |
| | 508512308 | Printed circuit board C (Continental Europe) (Australia) (UK) |
| 9 | 795182002 | Printed circuit board C case cover |
| 10 | 000120203 | Setscrew 3x8 (B) |
| 11 | 000053008 | Cord bind |
| 12 | 795162006 | Timing belt 185XL |

PARTS LIST



PARTS LIST

| KEY NO. | PARTS NO. | DESCRIPTION |
|------------|--------------|---|
| 1 | 796870100 | Standard accessories (unit) |
| 2 | 366401400 | Accessory box |
| 3 | 784810002 | Screwdriver (large) |
| 4 | 792030005 | Screwdriver (small) |
| 5 | 795802005 | Needle case (unit) |
| 6 | 624806006 | Nets |
| 7 | 822020503 | Spool caps |
| 8 | 624801001 | Tweezers |
| 9 | 200254502 | Needle threader |
| 10 | 802424004 | Lint brush |
| 11 | 200217134 | Thumbscrews (for optional attachment) |
| 12 | C-1028-1 | Foot control (U.S.A.) (Canada) |
| | C-2060-1 | Foot control (Continental Europe) |
| | C-2065-1 | Foot control (Australia) |
| | C-2064-1 | Foot control (UK) |
| 13 | 796800659 | Instruction book (English/Spanish/French) |
| | 796800660 | Instruction book (Dutch/German/French) |
| 14 | 795801107 | Cover |