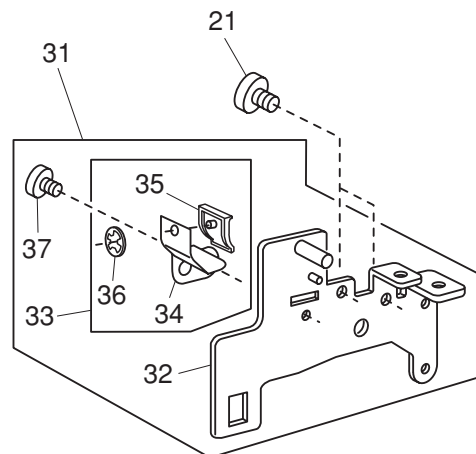
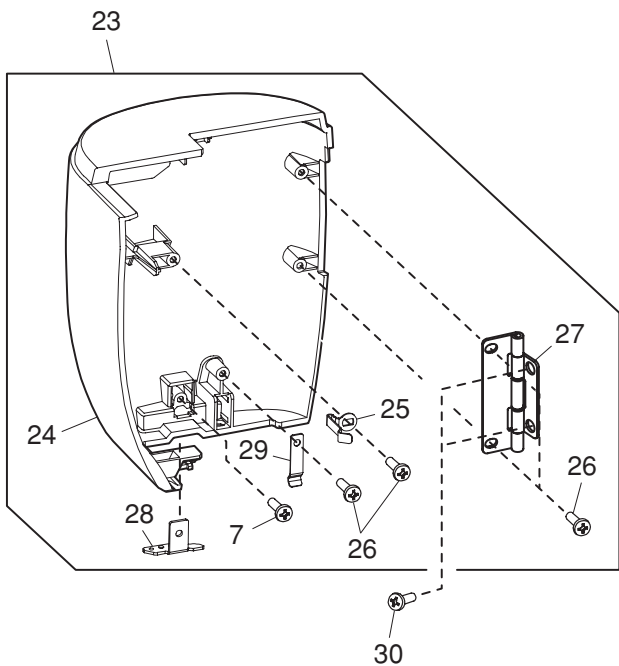
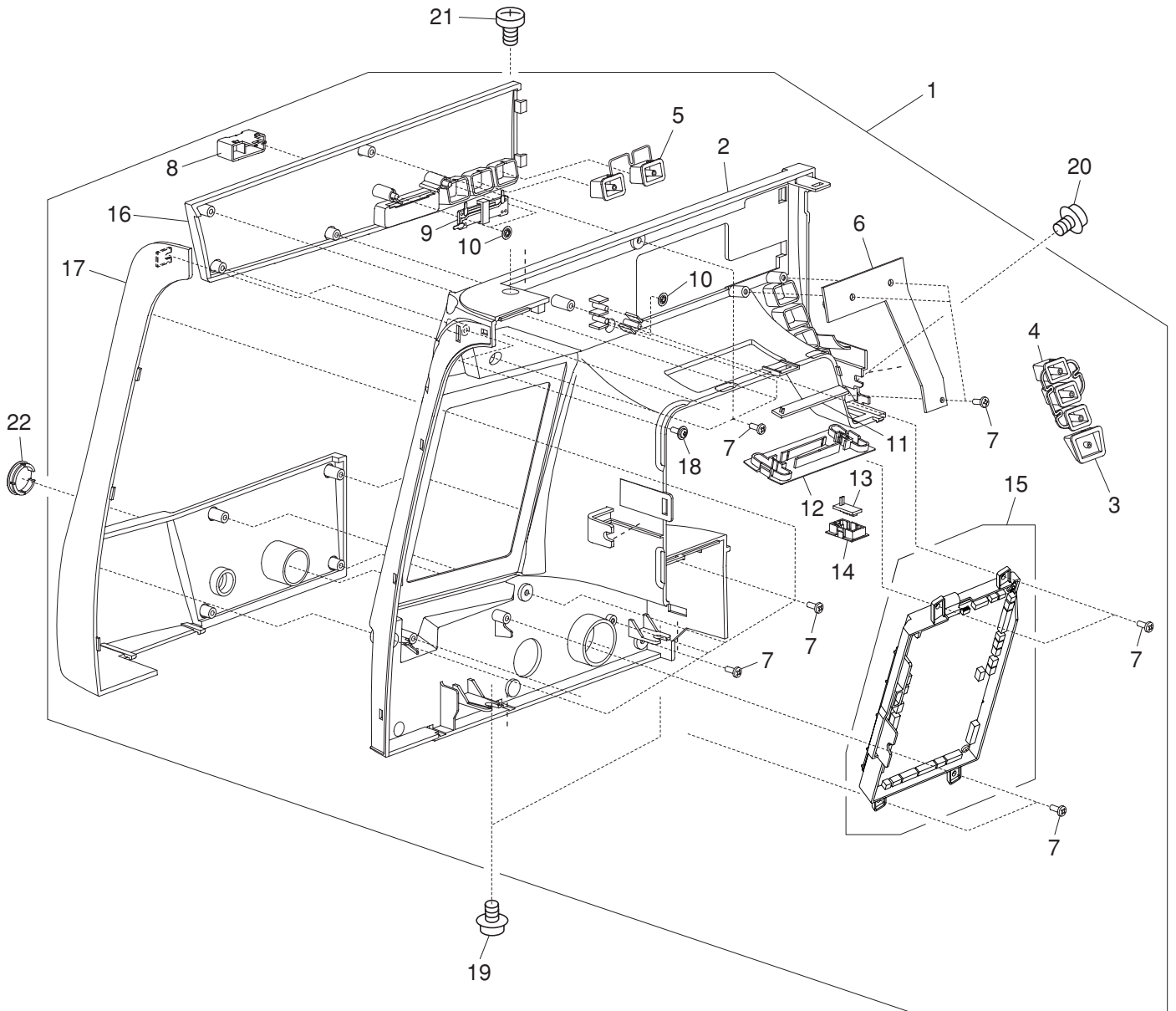


# **PARTS LIST**

**MODEL: SKYLINE S6**

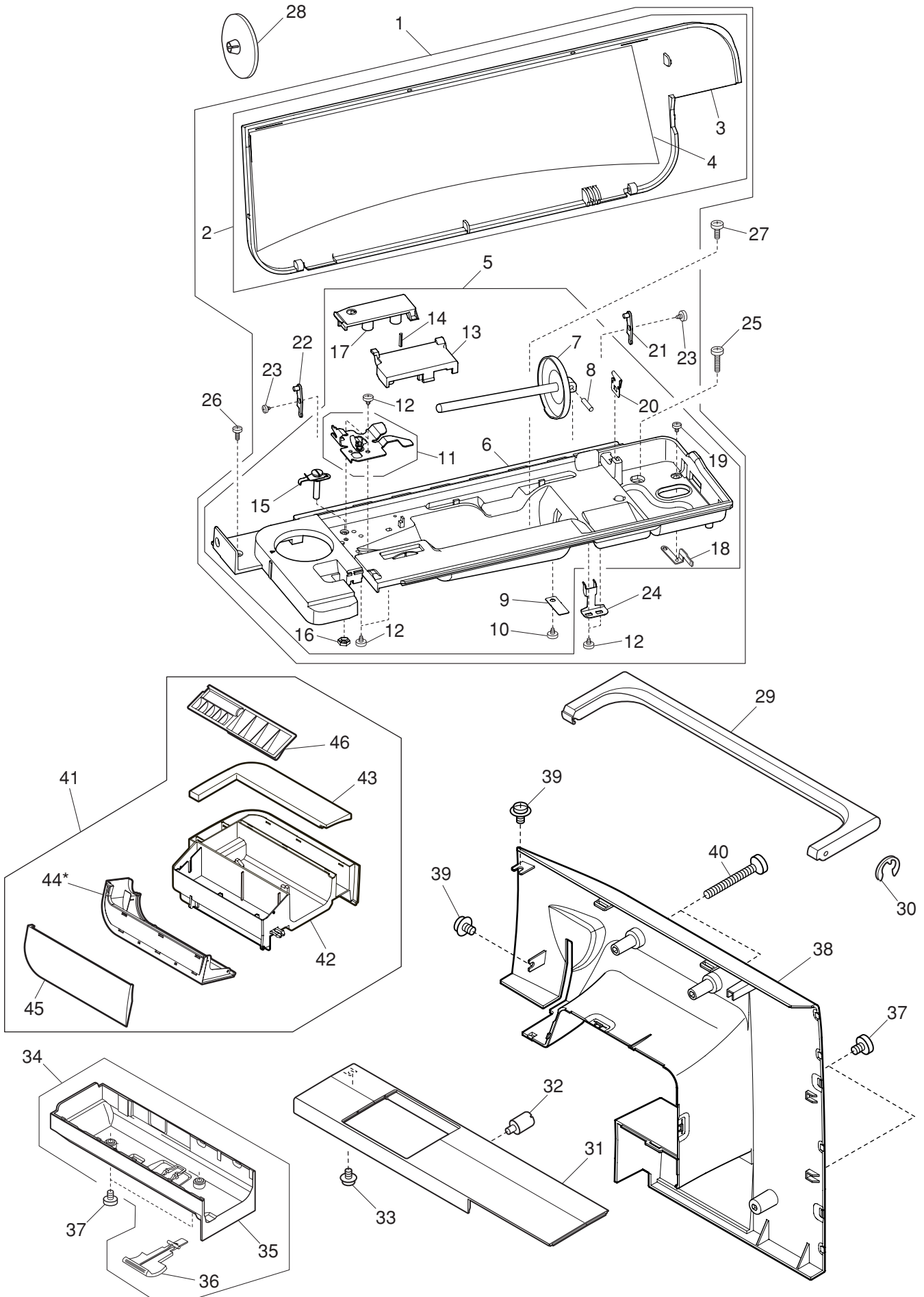
# PARTS LIST



# PARTS LIST

KEY NO.	PARTS NO.	DESCRIPTION
1	863608014	Front cover (unit)
2	863016008	Front cover
3	863017A01	Start/stop button
4	863018E01	Function button 1
5	863019A01	Function button 2
6	861510207	Printed circuit board F (unit)
7	000120203	Setscrew 3x8 (B)
8	863020005	Speed control slider
9	653507288	Slide volume (unit)
10	000014306	Snap ring CS-3
11	858502310	Printed circuit board L1 (unit)
12	858106000	LED cover 2
13	859525910	Printed circuit board L2 (unit)
14	860167006	Lamp cover 2
15	863655201	Printed circuit board A case (unit)
16	863024A01	Decorative plate 1
17	863025A09	Decorative plate 2
18	000149301	Setscrew 3x8
19	000115205	Setscrew TP 4x6
20	000114710	Setscrew TP 3x6
21	000081005	Setscrew 4x8
22	859216007	Cap
23	863626214	Face plate (unit)
24	863103A03	Face plate
25	850013005	Face plate spring
26	000161206	Setscrew 3x10 (B)
27	851503103	Face plate hinge (unit)
28	832508006	Thread cutter (unit)
29	859233000	Spring
30	000081119	Setscrew 4x6
31	861612004	Carrying handle supporter (unit)
32	861024003	Carrying handle supporter
33	861613005	Spring (unit)
34	861073007	Spring
35	861074008	Spring cap
36	000017701	Snap ring CS-3.5
37	000101116	Setscrew 3x4

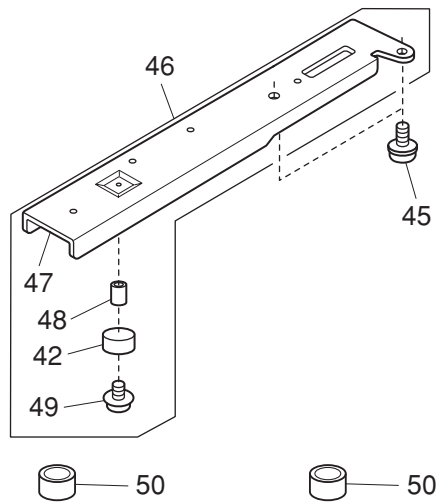
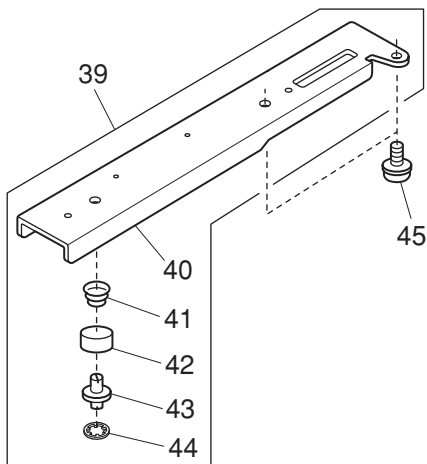
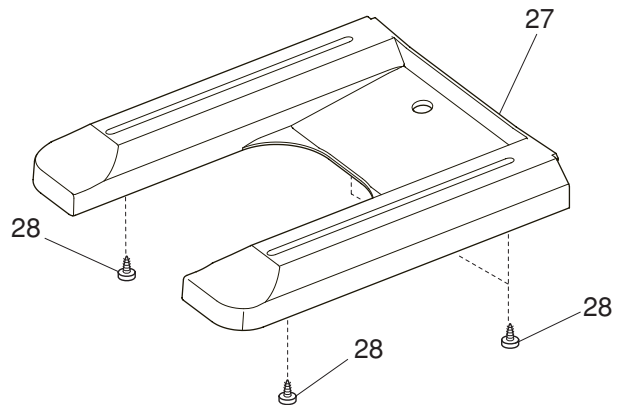
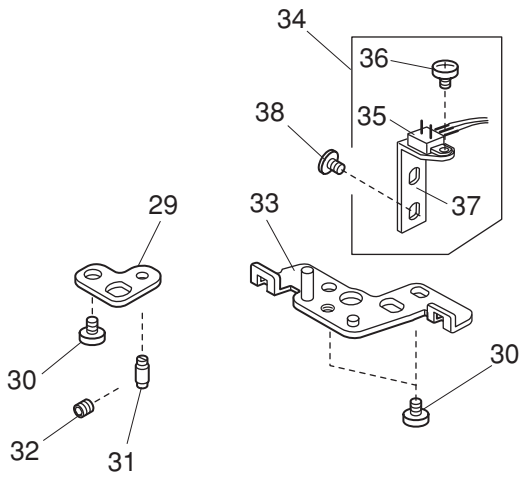
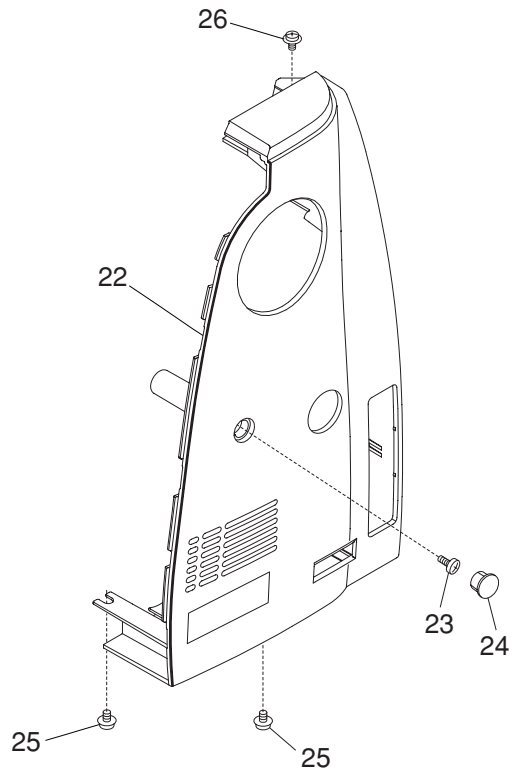
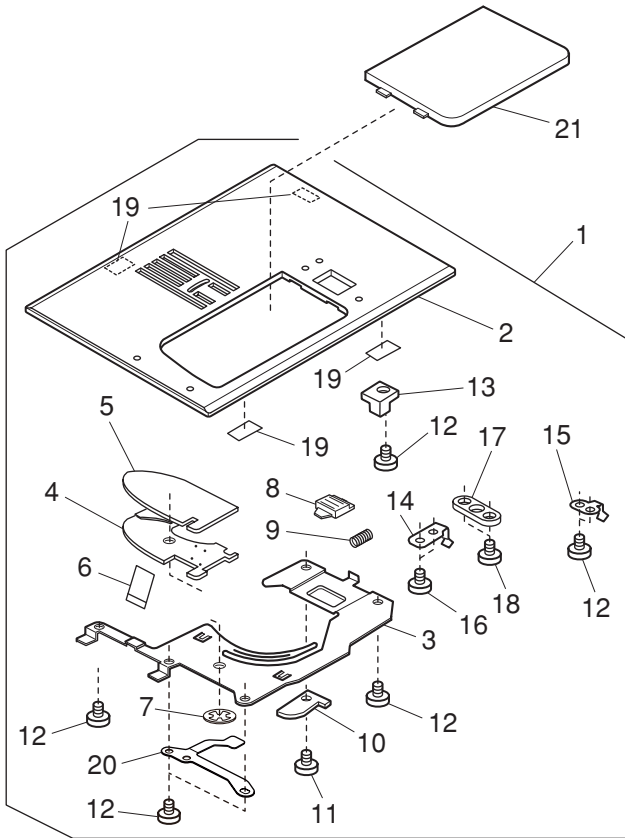
# PARTS LIST



# PARTS LIST

KEY NO.	PARTS NO.	DESCRIPTION
1	863602801	Top cover (whole unit)
2	863603019	Top cover (unit)
3	863007006	Top cover
4	863008A11	Quick reference chart
5	863604009	Top cover body (unit)
6	863009008	Top cover body
7	859052003	Spool pin
8	822017002	Spool pin shaft
9	822018003	Spool pin spring
10	000107204	Setscrew 3x12 (B)
11	859541004	Thread guide (unit)
12	000120203	Setscrew 3x8 (B)
13	859648002	Thread guide cover (unit)
14	000020202	Spring pin 2x10 (K)
15	830503005	Bobbin winder thread guide (unit)
16	000160102	Adjustable lock nut 4
17	830011001	Bobbin winder thread guide cover
18	861099009	Bobbin winder stopper
19	000103819	Setscrew 3x5
20	830505007	Thread cutter (unit)
21	858023002	Top cover hinge (right)
22	858023105	Top cover hinge (left)
23	000161206	Setscrew 3x10 (B)
24	859137003	Top cover hinge spring (right)
25	000104119	Setscrew 4x20
26	000066705	Setscrew 3x8
27	000170507	Setscrew 4x12
28	822020503	Spool holder
29	861019005	Carrying handle
30	000001609	Snap ring E-5
31	861007217	Free arm cover
32	858165100	Pin
33	000114710	Setscrew TP 3x6
34	861604003	Bed cover (unit)
35	861008001	Bed cover
36	859040008	Lever
37	000081005	Setscrew 4x8
38	863002B02	Rear cover
39	000115205	Setscrew TP 4x6
40	000080901	Setscrew 4x25
41	863613A01	Extension table (unit)
42	863003002	Extension table
43	863004003	Extension table cover
44*	—	Extension table lid (not supplied individually)
45	863006005	Extension table lid cover
46	861012008	Foot tray

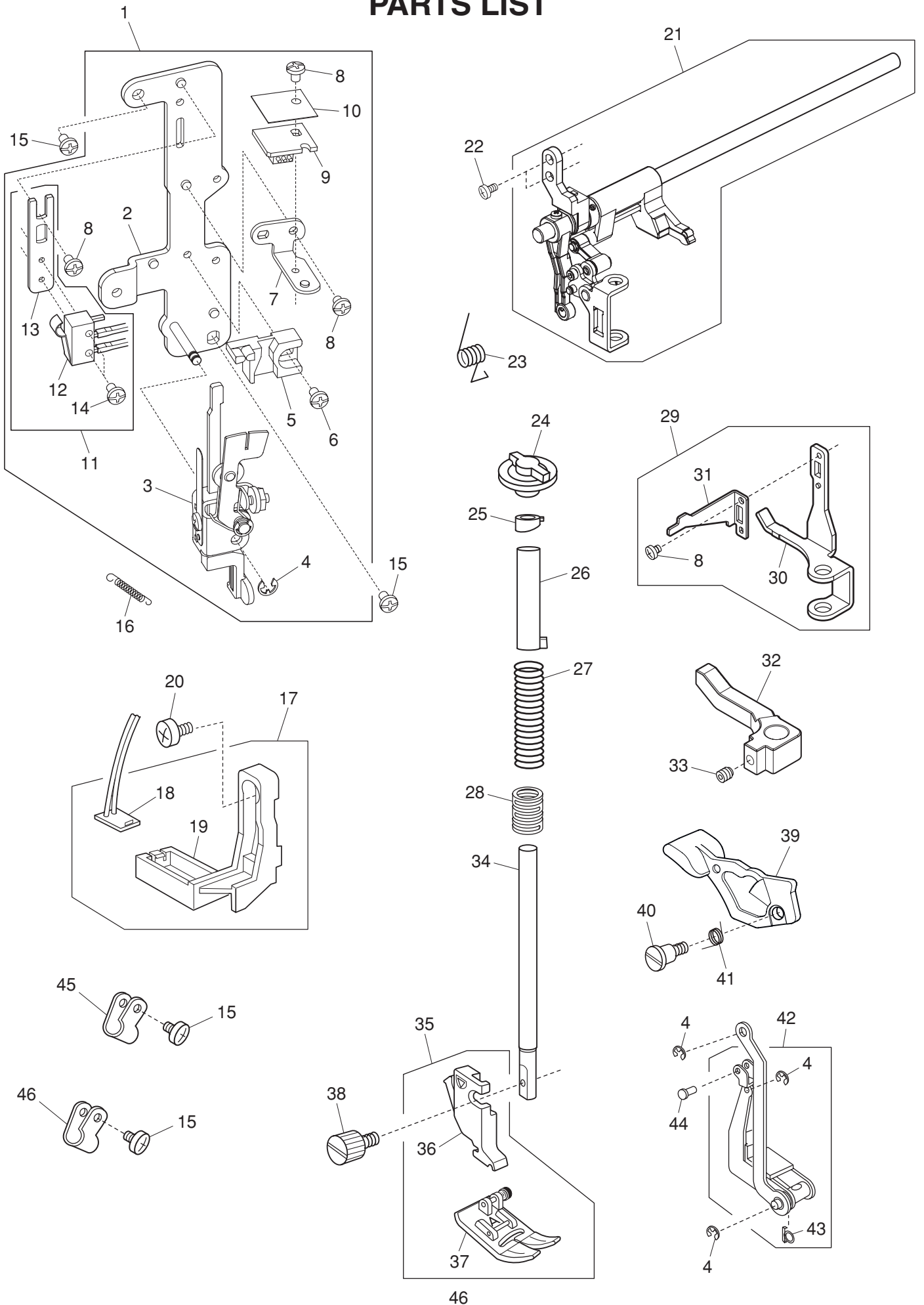
# PARTS LIST



# PARTS LIST

KEY NO.	PARTS NO.	DESCRIPTION
1	861606016	Needle plate (unit)
2	861013032	Needle plate
3	861014000	Hook cover plate supporter
4	809134005	Hook cover plate supporter base
5	809135006	Guide holder
6	809137008	Cutter
7	000014306	Snap ring CS-3
8	825016000	Hook cover plate release button
9	825017001	Spring
10	809044203	Rotation stopper
11	000097613	Setscrew 2x4
12	820374004	Setscrew 2x2.3
13	859046004	Needle plate sensor block
14	859047016	Spring
15	859245005	Spring 2
16	000169709	Setscrew 2x2.3
17	859271000	Guide plate
18	000102807	Setscrew 2x4
19	859272104	Rubber sheet
20	809184000	Spring
21	809136100	Hook cover plate
22	863102024	Belt cover
23	000081005	Setscrew 4x8
24	745033002	Cap
25	000115205	Setscrew TP 4x6
26	000115009	Setscrew TP 3x8
27	863001000	Base cover
28	000161206	Setscrew 3x10 (B)
29	860003025	Needle plate nut set plate
30	810220106	Setscrew
31	859270009	Needle plate positioning pin
32	000111201	Hexagonal socket screw 4x4
33	859247018	Needle plate adjusting plate
34	859671107	Needle plate sensor (unit)
35	859524104	Switch (unit)
36	755096004	Setscrew
37	859246006	Switch set plate
38	000193001	Setscrew TP 4x6
39	861601000	Arm sole (front side) (unit)
40	861002005	Arm sole (front side)
41	858162004	Spring
42	605074008	Rubber foot
43	820350004	Adjusting screw
44	000014409	Snap ring CS-8
45	000148403	Setscrew 6x12 (S)
46	861603002	Arm sole (rear side) (unit)
47	861003006	Arm sole (rear side)
48	000141107	Bushing
49	000119106	Setscrew TP 4x10
50	647009002	Rubber foot

# PARTS LIST

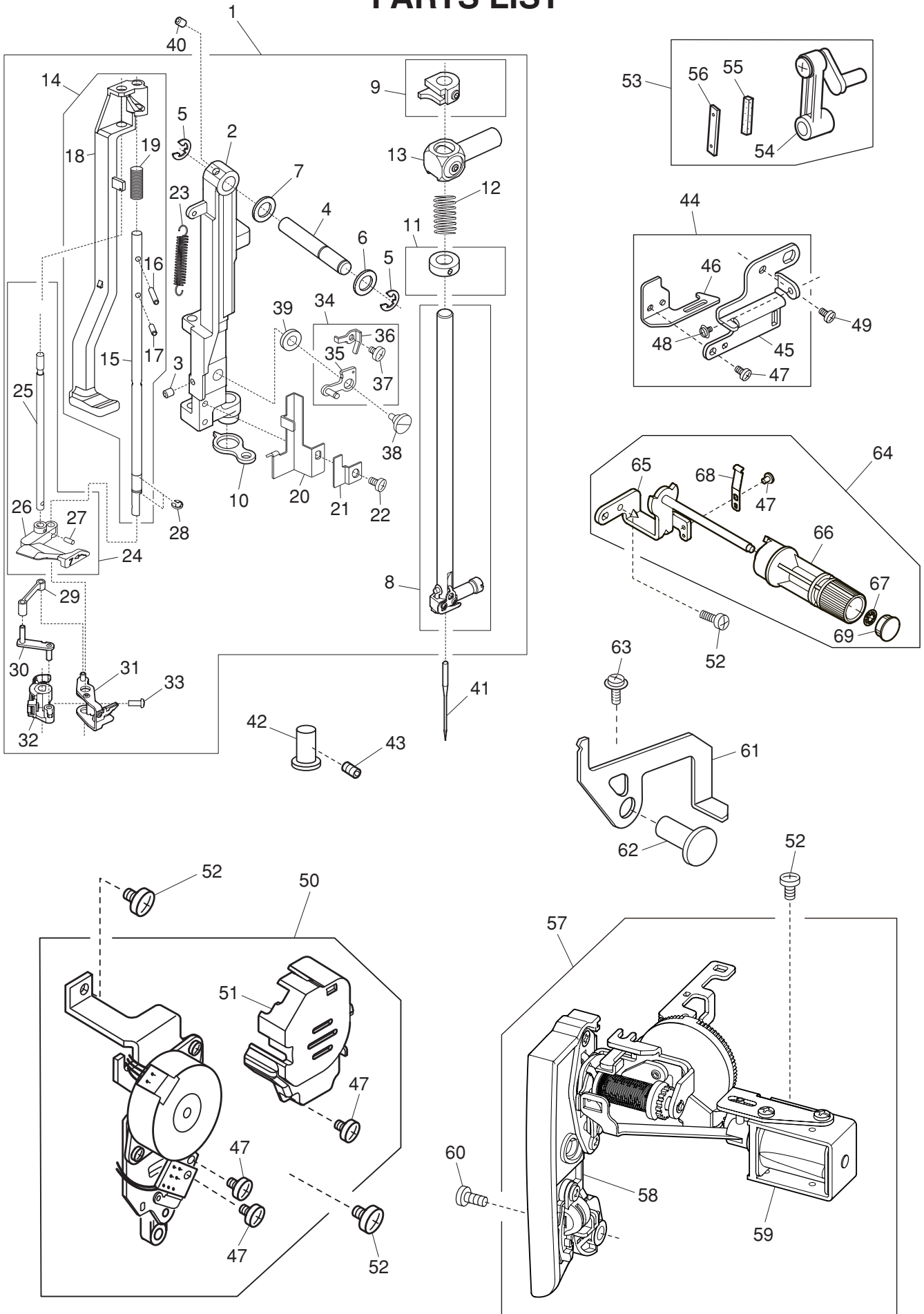




# PARTS LIST

KEY NO.	PARTS NO.	DESCRIPTION
1	863628102	Front bracket (unit)
2	863117000	Front bracket
3	843625406	Buttonhole lever (unit)
4	000002105	Snap ring E-3
5	830057021	Buttonhole lever guide
6	000103808	Setscrew 3x5
7	846044002	Sensor base plate
8	000101105	Setscrew 3x4
9	852502909	Printed circuit board G1 (unit)
10	853028002	Insulation sheet
11	863659009	Presser foot lifter switch (unit)
12	652520136	Micro switch (unit)
13	858032004	Presser foot lifter switch set plate
14	000102900	Setscrew 2x8
15	000081005	Setscrew 4x8
16	858312001	Needle bar supporter spring
17	861665600	LED cover (unit)
18	859525091	Printed circuit board L2 (unit)
19	859232021	LED cover
20	000078319	Setscrew 3x6
21	863631005	Upper feed upper shaft (unit)
22	000103509	Setscrew 4x10
23	863124000	Upper feed upper shaft spring
24	858136102	Presser foot pressure dial
25	858155004	Presser foot pressure cam
26	858028007	Presser bar bushing
27	863162000	Spring
28	859210001	Spring supporter
29	863656006	Presser bar lifter (unit)
30	863153008	Presser bar lifter
31	846344005	Presser foot lifter switch plate
32	863154009	Presser bar supporter
33	000111201	Hexagonal socket screw 4x4
34	859082002	Presser bar
35	859508010	Presser foot (unit)
36	859801027	Presser foot holder (unit)
37	859802006	Zigzag foot (unit)
38	858274000	Thumbscrew
39	863011003	Presser foot lifter lever
40	859028000	Setscrew
41	859029001	Spring
42	859627027	Upper feed foot (unit)
43	858313002	Washer
44	846327002	Pin (1)
45	000188601	Nylon clip ACC-2.5
46	000188209	Nylon clip ACC-1.5

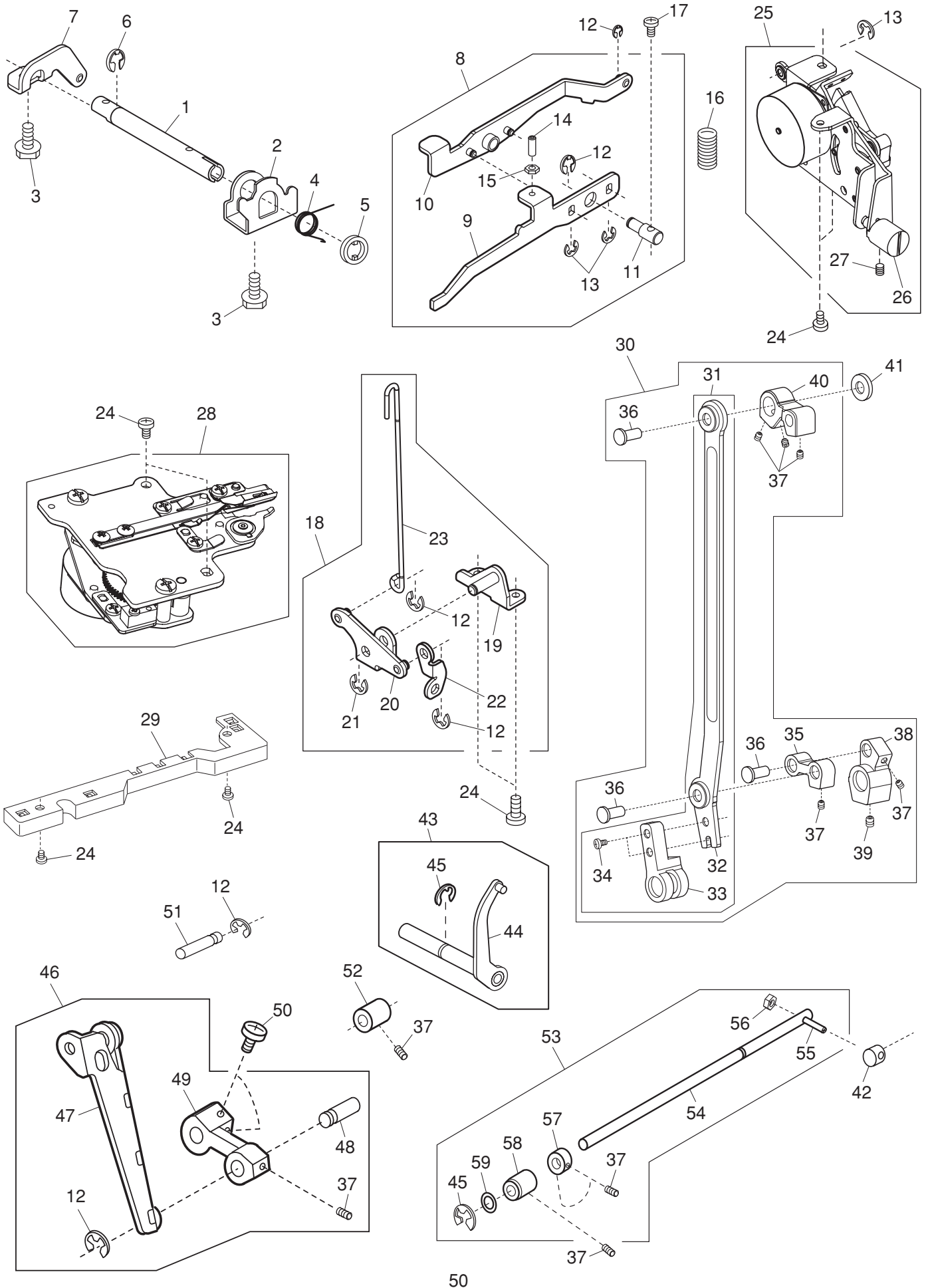
# PARTS LIST



# PARTS LIST

KEY NO.	PARTS NO.	DESCRIPTION
1	863629103	Needle bar supporter (unit)
2	858250000	Needle bar supporter
3	000111902	Hexagonal socket screw 3x4
4	735144006	Needle bar supporter pin
5	000002507	Snap ring E-4
6	000070609	Washer 6
7	673022002	Washer
8	858538005	Needle bar (unit)
9	858540000	Rotation pin stopper (unit)
10	829027006	Supporter guide plate
11	858541001	Threader guide ring (unit)
12	858172007	Needle bar supporter spring
13	846515009	Needle bar supporter (unit)
14	858686009	Threader shaft (unit)
15	858255016	Threader shaft
16	000265500	Guide pin E-2x12-CH
17	000265603	Guide pin E-2x6-CH
18	858256006	Threader lever
19	863128004	Needle threader spring
20	858272008	Threader lever supporter
21	863131000	Threader lever supporter 2
22	000078320	Setscrew 3x6
23	858258019	Needle threader return spring
24	862625106	Threader supporter shaft (unit)
25	858259009	Threader supporter shaft
26	814043105	Threader guide
27	000022204	Spring pin 2x6 (K)
28	000001207	Snap ring E-2.5
29	858265008	Link plate 1
30	858266009	Link plate 2
31	862626026	Threader guard plate (unit)
32	862627108	Hook holder (unit)
33	000230403	Setscrew 2x5
34	861630008	Zigzag width rod (unit)
35	808015006	Zigzag width rod
36	827088009	Zigzag width rod spring
37	820373003	Setscrew 2x3
38	678084306	Eccentric pin
39	863127003	Washer
40	000111201	Hexagonal socket screw 4x4
41	647814031	Needle
42	827083004	Supporter guide pin
43	000216805	Hexagonal socket screw 3x3
44	862651008	Arm thread guide (unit)
45	862081001	Arm thread guide
46	862133009	Thread guide plate
47	000101105	Setscrew 3x4
48	000268008	Setscrew TP 3x5
49	000078319	Setscrew 3x6
50	861629107	Zigzag width motor (unit)
51	861055014	Motor cover
52	000081005	Setscrew 4x8
53	846615103	Needle bar crank (unit)
54	843543007	Needle bar crank pin (unit)
55	650040005	Felt
56	650041006	Spring
57	863607404	Thread tension (whole unit)
58	863502408	Thread tension (unit)
59	834604308	Solenoid (unit)
60	000103509	Setscrew 4x10
61	858049004	Thread tension release link
62	652042003	Pin
63	000115607	Setscrew TP 4x8
64	862634005	Upper feed adjusting base plate (unit)
65	862085005	Upper feed adjusting base plate
66	862086006	Upper feed adjusting dial
67	000013903	Snap ring CS-5
68	846353007	Dial leaf
69	862126009	Cap

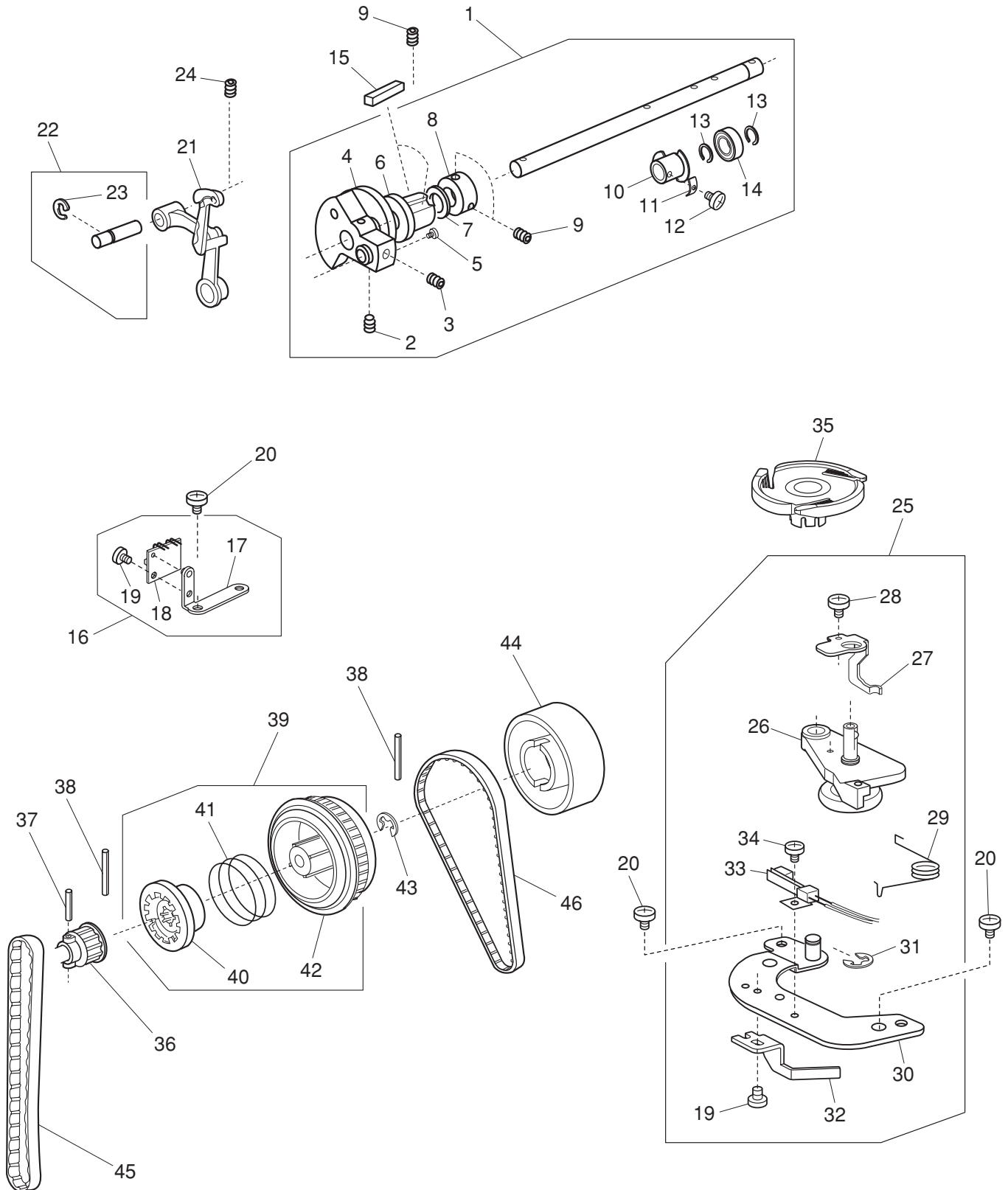
# PARTS LIST



# PARTS LIST

KEY NO.	PARTS NO.	DESCRIPTION
1	861057005	Knee lifter shaft
2	861154003	Knee lifter stopper
3	000138503	Hexagonal socket bolt 5x12
4	858091001	Knee lifter stopper spring
5	846297002	Stopper
6	000002208	Snap ring E-9
7	863155000	Knee lifter shaft arm
8	863657007	Knee lifter lever (unit)
9	863160008	Knee lifter lever 1
10	863161009	Knee lifter lever 2
11	859069003	Knee lifter lever shaft
12	000002507	Snap ring E-4
13	000002105	Snap ring E-3
14	000177401	Hexagonal socket screw 4x12
15	000160102	Adjustable lock nut 4
16	858097007	Spring
17	000101703	Setscrew 4x12
18	863658008	Knee lifter link (unit)
19	863157002	Knee lifter link base plate
20	863158003	Knee lifter link
21	000001609	Snap ring E-5
22	863156001	Knee lifter rod 1
23	863159004	Knee lifter rod 2
24	000081005	Setscrew 4x8
25	861628209	Feed motor (unit)
26	859215006	Feed balancing dial
27	000110200	Hexagonal socket screw 4x4 (WP)
28	863638002	Automatic thread cutter (unit)
29	861077001	Cord guide 2 (Free arm)
30	863632006	Upper feed adjusting arm (unit)
31	863633007	Upper feed connecting link (unit)
32	863110003	Upper feed connecting link
33	846307006	Connecting link
34	000066705	Setscrew 3x8
35	846349000	Upper feed adjusting link
36	820144003	Pin
37	000111201	Hexagonal socket screw 4x4
38	846350004	Upper feed adjusting arm (1)
39	000111304	Hexagonal socket screw 5x5
40	863111004	Upper feed upper shaft rear arm
41	822070003	Felt (1)
42	846348009	Rear arm feed lifting roller
43	858644108	Upper feed adjusting arm (2) (unit)
44	863109009	Upper feed adjusting arm (2)
45	000002806	Snap ring E-6
46	858623101	Feed connecting link (unit)
47	863107007	Feed connecting link
48	502258006	Connecting pin
49	846304106	Upper feed lower shaft front arm
50	000103509	Setscrew 4x10
51	502258202	Connecting pin
52	784071003	Looper shaft bushing
53	858624102	Upper feed lower shaft (unit)
54	863108008	Upper feed lower shaft
55	846306005	Upper feed lower shaft rear arm
56	000061102	Nut 4-1-7
57	820166001	Lower shaft ring
58	846303002	Upper feed lower shaft bushing
59	000038502	Washer

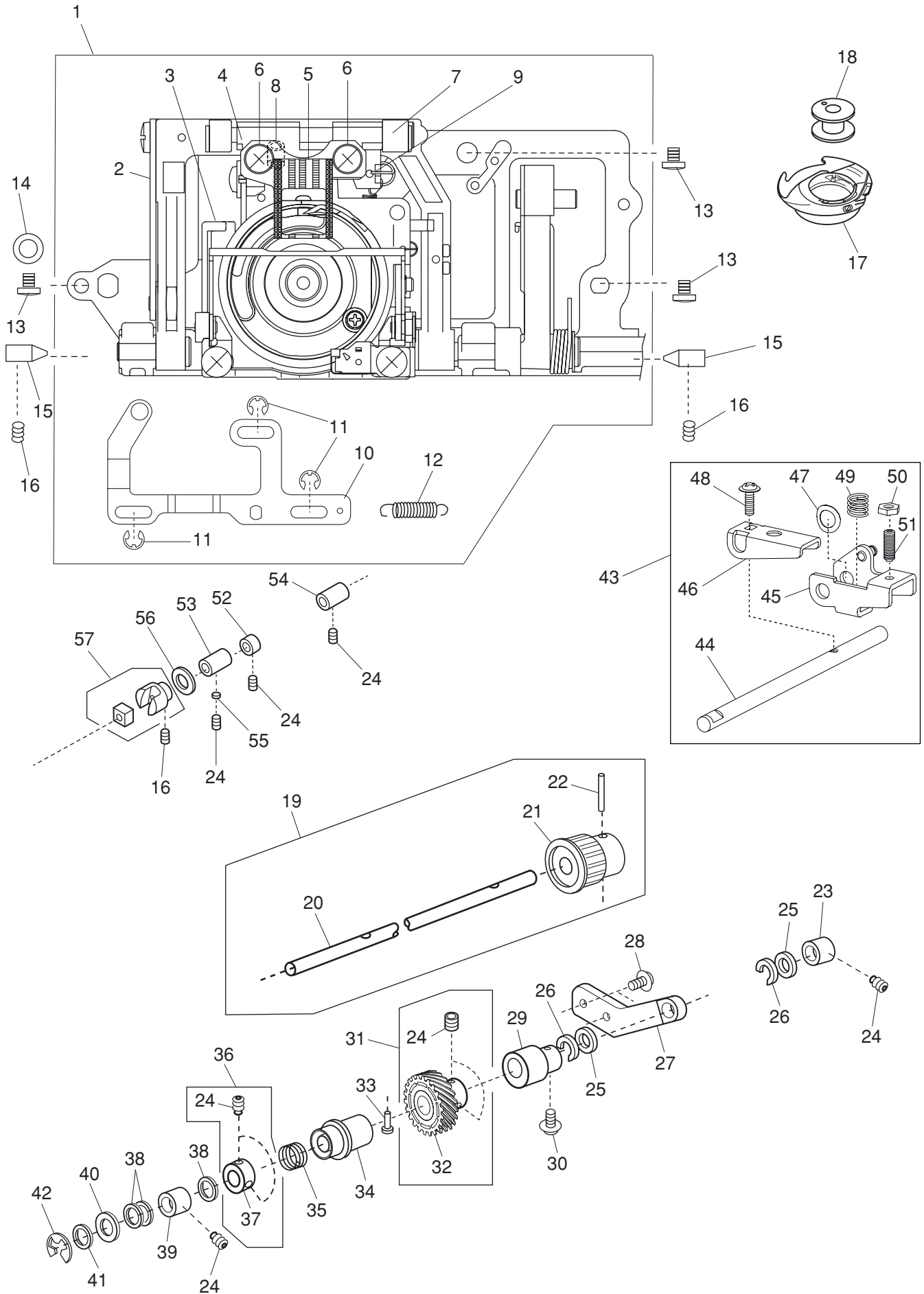
# PARTS LIST



# PARTS LIST

KEY NO.	PARTS NO.	DESCRIPTION
1	861619300	Upper shaft (unit)
2	000111706	Hexagonal socket screw 5x8
3	000110901	Hexagonal socket screw 5x4
4	859214005	Upper feed cam
5	000078319	Setscrew 3x6
6	670079201	Upper shaft front bushing
7	000040105	Washer
8	767077006	Ring
9	000111304	Hexagonal socket screw 5x5
10	859055006	Upper shaft shield plate
11	859033008	Shield plate washer
12	000080406	Setscrew 3x10
13	000032702	Snap ring crescent
14	767178101	Ball bearing 6901ZZ
15	731312005	Felt
16	861620201	Upper shaft sensor (unit)
17	861039001	Sensor set plate
18	807505304	Printed circuit board P (unit)
19	000101105	Setscrew 3x4
20	000081005	Setscrew 4x8
21	820511108	Thread take-up lever (unit)
22	650626001	Thread take-up lever pin (unit)
23	000002806	Snap ring E-6
24	000111201	Hexagonal socket screw 4x4
25	861636314	Bobbin winder (unit)
26	861503023	Bobbin winder
27	861096006	Clutch lever
28	000120203	Setscrew 3x8 (B)
29	861091001	Bobbin winder arm spring
30	861092002	Bobbin winder set plate
31	000001609	Snap ring E-5
32	861098008	Guide plate
33	856512203	Leaf switch (unit)
34	000081706	Setscrew 2.5x5
35	809619009	Thread cutter holder (unit)
36	858052000	Upper shaft gear
37	000004303	Spring pin 3x20
38	000024206	Spring pin 3x30
39	858647008	Belt wheel (unit)
40	858053001	Clutch ring
41	502065004	Clutch spring
42	858054002	Belt wheel
43	000030009	Snap ring E-10
44	858055209	Handwheel
45	846098104	Timing belt 178
46	858118108	Timing belt 168

# PARTS LIST

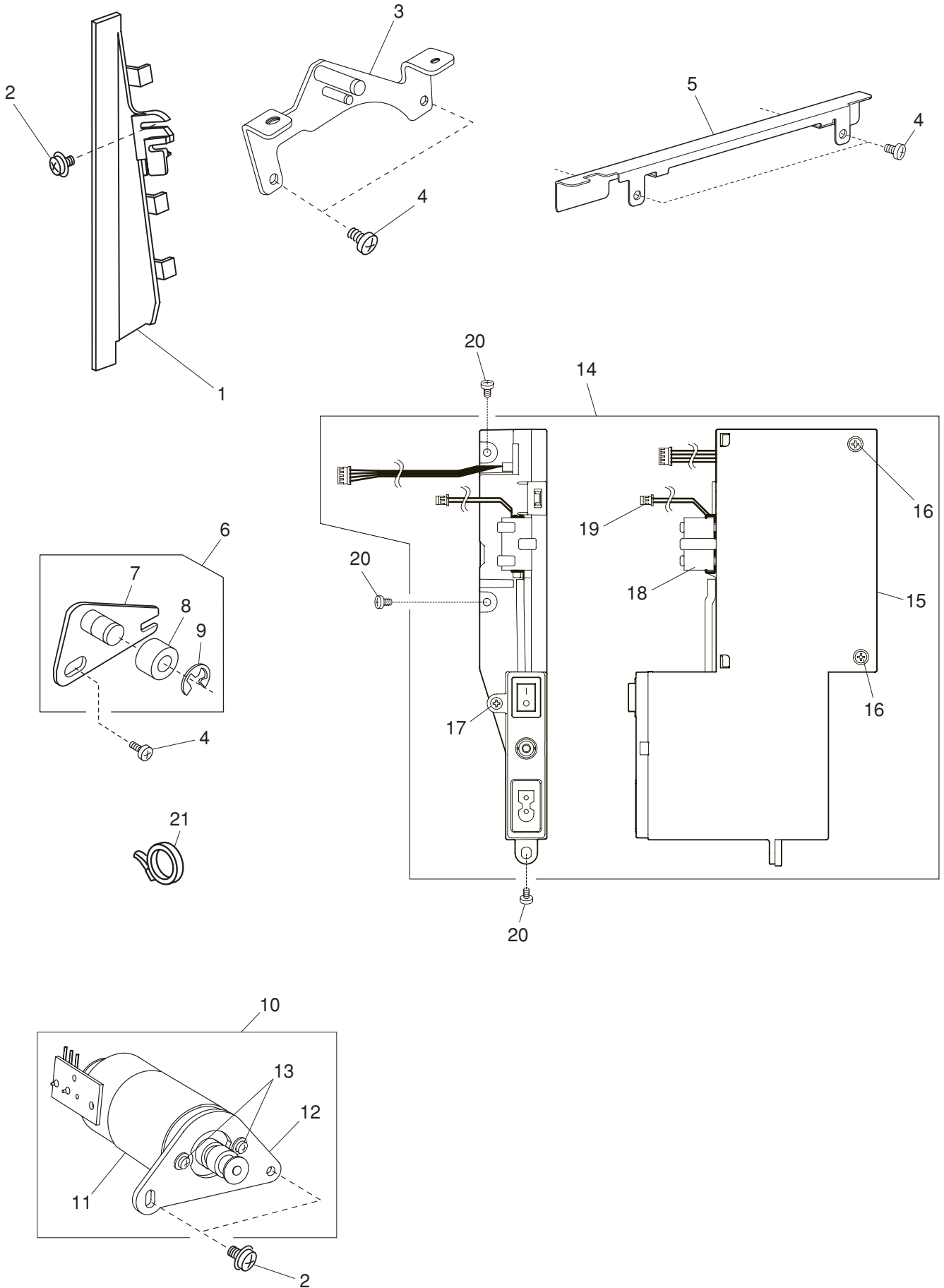




# PARTS LIST

KEY NO.	PARTS NO.	DESCRIPTION
1	861625309	Feed rock shaft (whole unit)
2	846629203	Feed rock shaft (unit)
3	861626104	Hook race (unit)
4	859639000	Feed base (unit)
5	859113003	Feed dog
6	000104005	Setscrew 3.5x8
7	825099007	Feed base shaft
8	000111407	Hexagonal socket screw 4x6
9	825103005	Feed base spring
10	858138001	Drop plate
11	000002105	Snap ring E-3
12	661018008	Spring
13	000081005	Setscrew 4x8
14	000070506	Washer 4
15	738055008	Straight pin
16	000111304	Hexagonal socket screw 5x5
17	858570009	Bobbin holder (unit)
18	102261505	Bobbin
19	861621006	Lower shaft (unit)
20	861040005	Lower shaft
21	650073007	Lower shaft gear
22	000004200	Spring pin 3x18
23	650079003	Lower shaft bushing (rear)
24	000111201	Hexagonal socket screw 4x4
25	822070003	Felt (1)
26	822112008	Felt holder (1)
27	858058006	Lower shaft supporter
28	000115700	Setscrew TP 4x10
29	846379009	Feed cam
30	000149600	Setscrew 3x14
31	850687109	Lower shaft gear (unit)
32	808137005	Lower shaft gear
33	820161006	Feed lifting pin
34	846103000	Feed lifting cam
35	825093001	Feed lifting cam spring
36	820672005	Lower shaft ring (unit)
37	820166001	Lower shaft ring
38	000038502	Washer
39	858060001	Lower shaft bushing (front)
40	735143005	Felt
41	858177002	Lower shaft washer
42	000002806	Snap ring E-6
43	861627002	Feed shaft (unit)
44	861048003	Feed shaft
45	858129009	Feed arm (1)
46	858130003	Feed arm (2)
47	810207004	Washer
48	000201302	Setscrew TP 3x10
49	589040002	Spring
50	000160102	Adjustable lock nut 4
51	000177401	Hexagonal socket screw 4x12
52	820387000	Ring
53	625144002	Feed shaft bushing (front)
54	650092002	Feed shaft bushing (rear)
55	650175000	Washer
56	823110009	Felt
57	625508008	Feed regulator (unit)

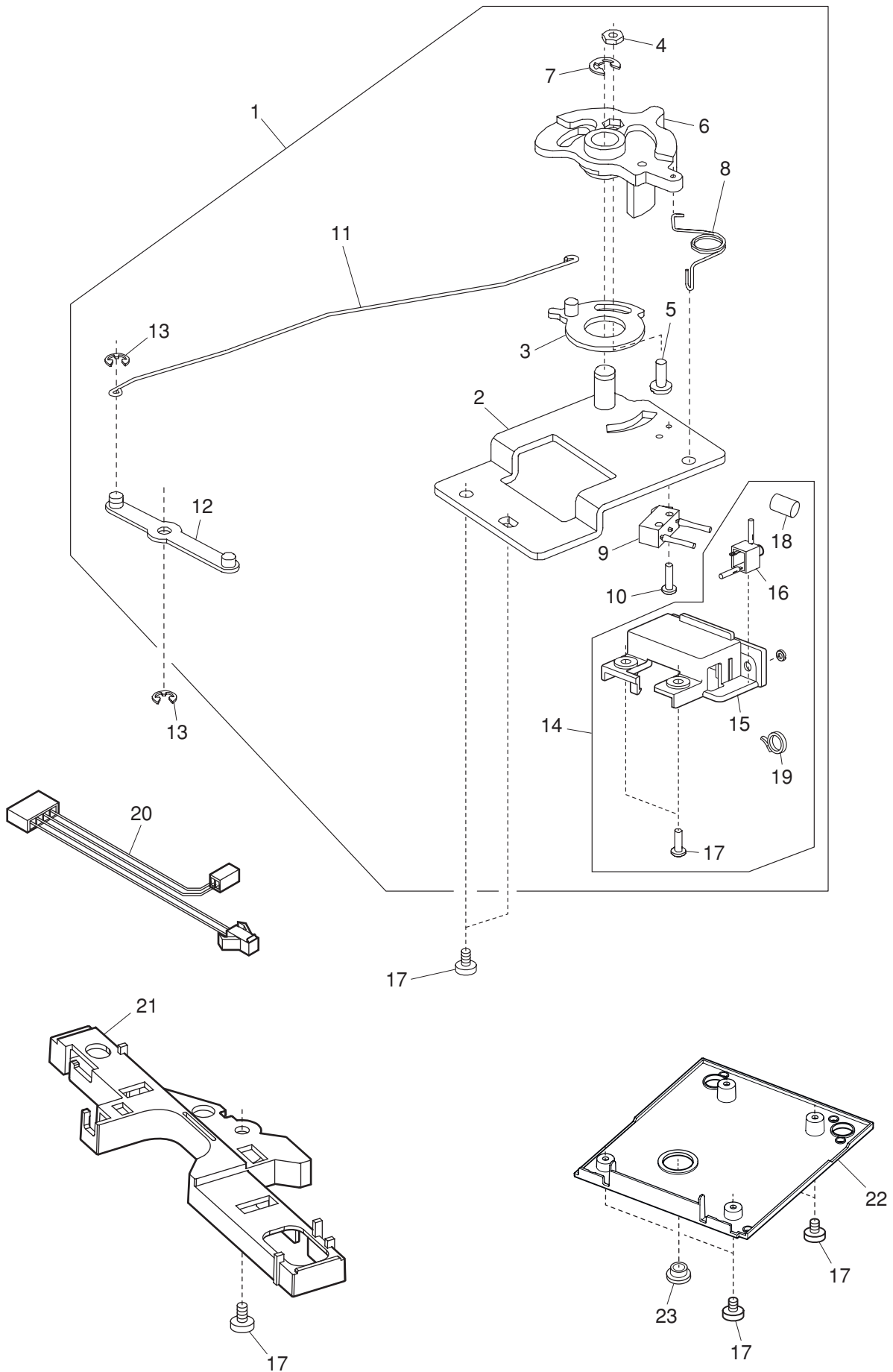
# PARTS LIST



# PARTS LIST

KEY NO.	PARTS NO.	DESCRIPTION
1	858145012	Cord guide plate
2	000115607	Setscrew TP 4x8
3	861075009	Carrying handle supporter (rear)
4	000081005	Setscrew 4x8
5	863129016	Cord guide
6	860608004	Idler (unit)
7	860021007	Idler base
8	625217100	Idler
9	000002806	Snap ring E-6
10	858639100	DC motor (unit)
11	843518807	DC motor
12	858117004	DC motor bracket
13	000115009	Setscrew TP 3x8
14	863652208	Switching power supply (unit)
15	862004000	Switching power supply case
16	000119704	Setscrew 3x14 (B)
17	000161206	Setscrew 3x10 (B)
18	808108007	Ferrite core
19	863505308	TRS connector cord
20	000103509	Setscrew 4x10
21	000053008	Cord binder

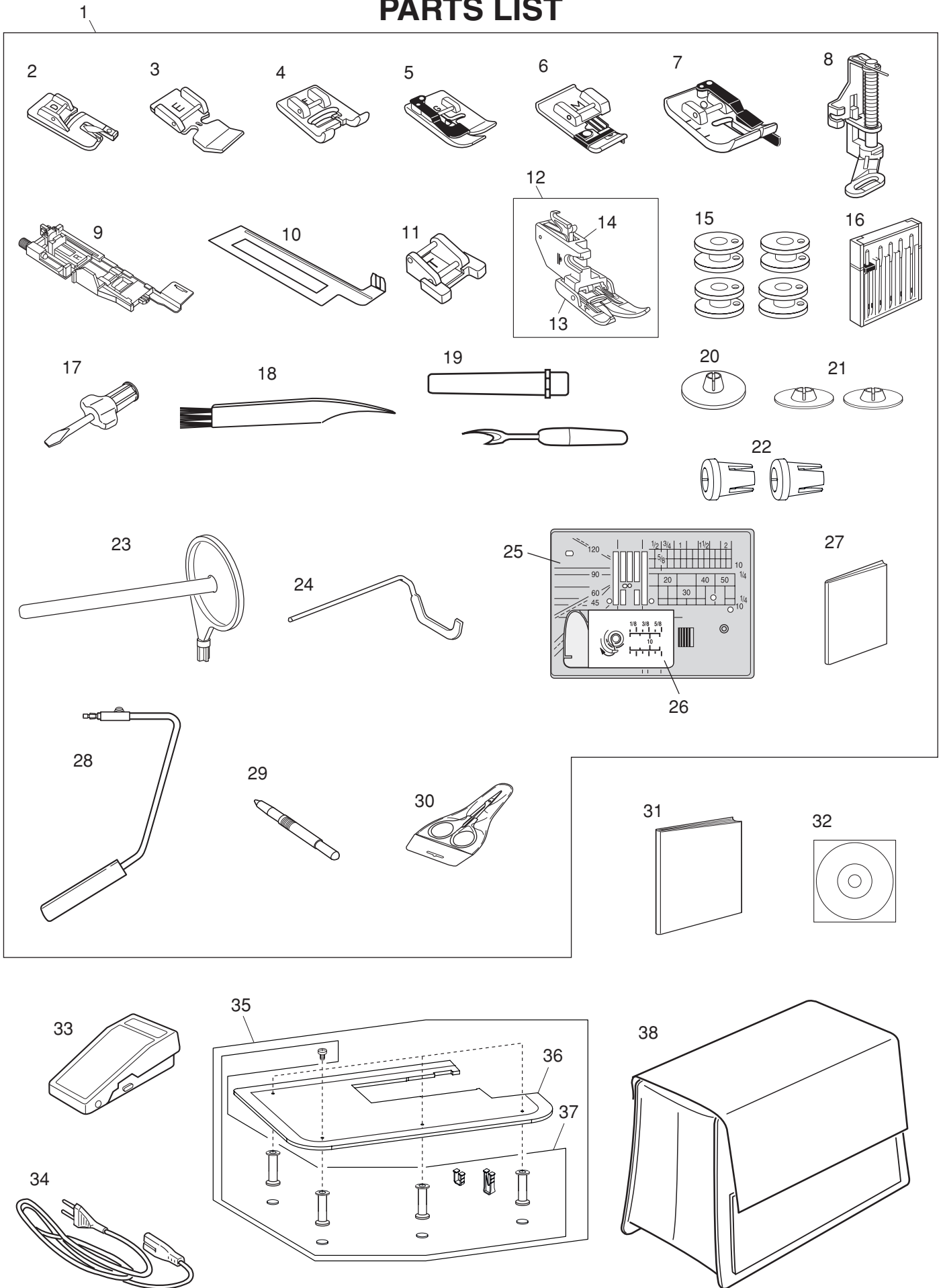
# PARTS LIST



# PARTS LIST

KEY NO.	PARTS NO.	DESCRIPTION
1	863637300	Feed dog drop lever (unit)
2	863116009	Feed dog drop lever base
3	858142008	Feed dog drop lever connecting plate
4	000061803	Nut 3-3-5.5
5	000066705	Setscrew 3x8
6	858143009	Feed dog drop lever
7	000002507	Snap ring E-4
8	823119008	Spring
9	846513030	Micro switch (unit)
10	000102900	Setscrew 2x8
11	863123009	Rod
12	858139002	Drop connecting block
13	000002105	Snap ring E-3
14	863622106	Printed circuit board B case (unit)
15	861090022	Printed circuit board B case
16	767541305	Jack cord
17	000081005	Setscrew 4x8
18	863504008	Ferrite core
19	000053101	Cord binder
20	863503100	Junction cable
21	863104015	Cord guide 1
22	863029004	Base plate
23	626045407	Cap

# PARTS LIST



# PARTS LIST

KEY NO.	PARTS NO.	DESCRIPTION
1	863870123	Accessories set
2	859804008	Rolled hem foot D
3	859805009	Zipper foot E
4	859806011	Satin stitch foot F
5	859807001	Blind hemming foot G
6	859810007	Overedge foot M
7	859814012	1/4" Seam foot O
8	859839002	Darning foot PD-H
9	862822013	Automatic buttonhole foot R
10	859832016	Stabilizer plate
11	859811008	Button sewing foot T
12	859819017	Dual feed foot AD (unit)
13	859819109	Dual feed foot AD
14	859817118	Dual feed foot holder
15	102261505	Bobbin
16	859856005	Needle case (unit)
17	820832005	Screwdriver
18	802424004	Lint brush
19	647808009	Seam ripper (buttonhole opener)
20	822020503	Spool holder (large)
21	822019509	Spool holder (small)
22	862408008	Spool holder (special)
23	809041004	Extra spool pin
24	755802001	Quilting guide bar
25	862817118	Straight stitch needle plate
26	809136100	Hook cover plate
27	858801002	Caution card
28	846417011	Knee lifter
29	860194002	Touch panel stylus
30	803813306	Scissors
31	863800926	Instruction book (German)
	863800948	Instruction book (French)
	863800959	Instruction book (Dutch)
32	863822005	Instructional DVD
33	C-1036	Foot control
34	830335004	Power cable
35	863814004	Extra wide table (unit)
36	861401112	Extra wide table top
37	863410017	Extra wide table accessories (unit)
38	858802058	Cover